

Product specifications

Technical parameters

Standard	Compliant with EIA RS-232, RS-485, RS-422 standards
----------	---

Interface

Interface form	RS-232: DB9 interface RS-485/RS-422: Industrial terminal block
----------------	---

Communication rate

Baud Rate	300bps~115.2kbps
-----------	------------------

LEDs

Power indicator	POW(Red): Always lit when the power is connected normally
Serial port transceiver indicator light	≡(Green): Flashes when data is being sent or received
	≡(Yellow): Flashes when data is being sent or received

Power

Power Supply	Serial Port Powered, external supply DC5V, external supply DC 9~30V
Interface	DB9 interface, industrial terminal block

Physical Characteristics

Shell	DIN rail shell
Dimension	117mm×34mm×72mm
Weight	0.1kg

Transmission distance

Serial port line	RS-232, 15m@9600bps RS-422/RS-485, 1.2km@9600bps
------------------	---

Working Environment

Operating Temperature	-40°C~85°C
Storage temperature	-40°C~85°C
Ambient Humidity	5%~95%

Warranty

Warranty	5 Years
----------	---------

Certification

Certification	CE, FCC, RoHS
---------------	---------------

Application

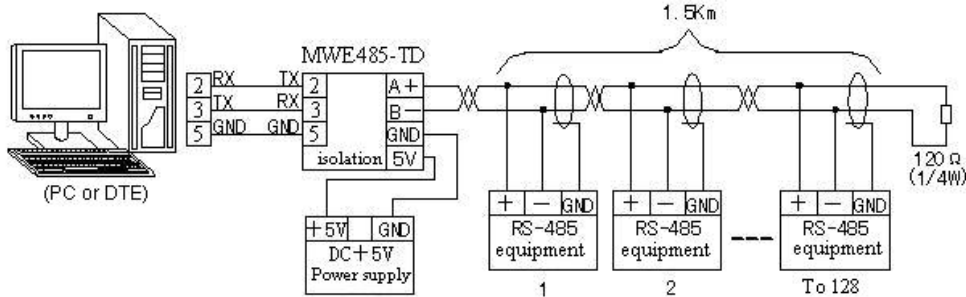


Chart 1 : Master-Slave and half duplex communication

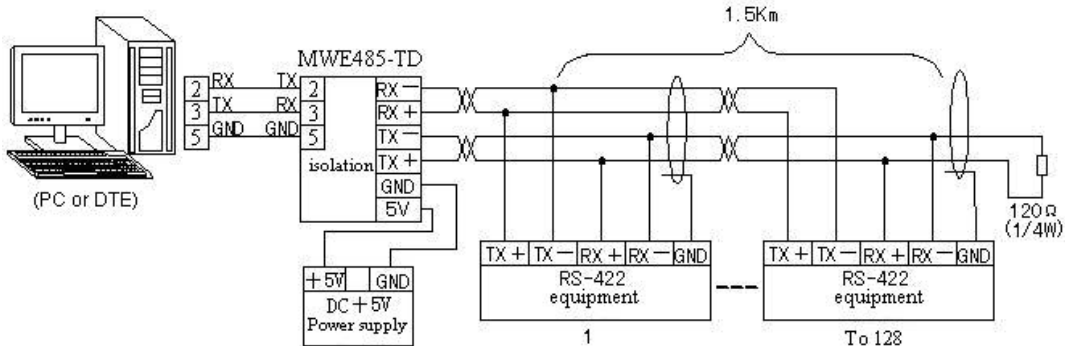


Chart 2 : Master-Slave and half duplex communication

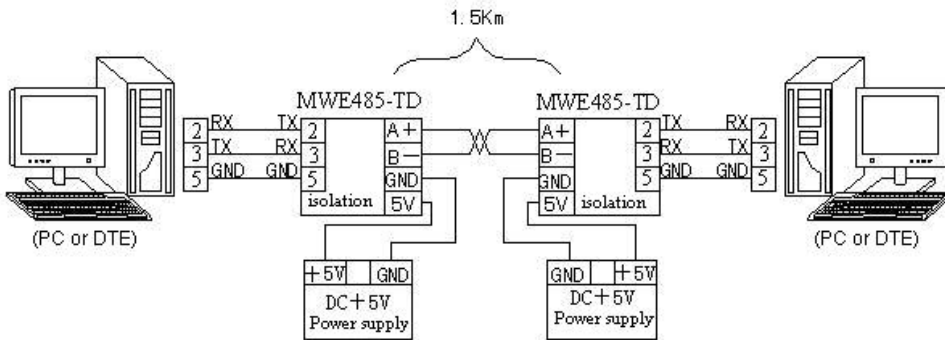


Chart 3 : Extend RS232 communication distance

Ordering information

Order Info	Data Interface	Transmission rate	Isolation protection	Power supply
MWE485-TD	RS232 to RS422/RS485	300bps ~ 115.2Kbps	Isolated	External DC5V or DC9~30V power supply