

RS – 485 isolate repeater signal

Model : MWE485 – YGS

◆ Brief introduction

The MWE485-YGS can isolate repeater signal. It could extend RS485 signal communication distance, it can comprehensive anti-interference.

◆ Main function

- Insert power supply isolation modul, DC+5;
- Half duplex, auto-recognize RS485 signal flow direction, auto transfer no responses delay;
- Industry level design, excellent import element chosen, all surface adhibit technics.

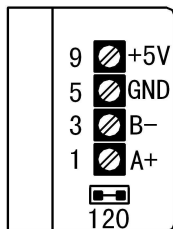
◆ Capability parameter

Power Supply	External power supply DC5V
Working current	<15mA
Baud rate	300~38.4Kbps
Communication distance	Extending distance more than 1.5Km(9.6Kbps)
Max node	128 nodes
Isolation protection	15Kv static protecting and 600W/ms lightning protecting, 2500V photoelectricity isolation
Weight	38g(with the terminal block)
Dimension	107mm×33mm×17mm(with the terminal block)
Working temperature	-40℃~85℃

◆ PIN Setting

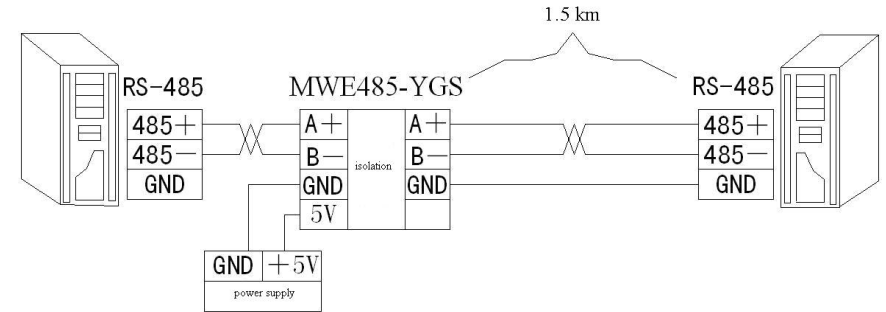
The RS-485 end is DB9pin, the pin male definition is as below:

PIN	1	3	5	9	6、7
Define	A+	B-	GND	+5V	Short circuit (120Ω)
Specification	485+	485-	GND	+5V	Short circuit, then it can matched resistance



- Please notice the power supply positive and negative charges direction!
- Short circuit 120 means 120Ω resistance, push(ON) and it could be connect!

◆ Application



Extending RS485 communication distance

◆ Attention

RS-485 matching resistance

The RS-485 is difference-signal. It is necessary to add a 120Ω matching resistor on the head and end of the communications circuit. When 120 short films(ON), The load ability will reduce when using the matching resistance. We suggest that it is necessary to use it only when the rate is above 19.2Kbps or the circuitry length is above 200m.

◆ Quality promises

- 1、We can exchange the product in 1 years for the quality problem.
- 2、We guarantee to keep the product in good repair for 5 years.