



Main Features

- 8" LCD with 5-wires resistive touch screen
- Intel® Atom™ N450 1.6GHz processor
- Wireless LAN support Wi-Fi 802.11 b/g/n
- WWAN support GSM/GPRS/HSDPA/WCDMA (Optional)
- Integrated GPS module (Optional)
- Integrated laser barcode scanner (1D/2D) or HF type RFID (Optional)
- Integrated 2M pixel camera in rear or in front bezel (Optional)
- Compliant with IP54 and MIL-STD-810F

Product Overview

The MRC 2200 is an 8" semi-rugged tablet PC with low power consumption processor. Based on the fanless design and IP54 rating, it can survive in the industrial environment. It retains the same features as MRC 2200 provides but improves the battery design. No need to completely power off the system, while replacing the battery. It means you can replace the battery through stand by. Moreover, there is one option for battery hot swap. It is right for the mobile worker to easily replace the battery pack without screw. With these two more features, the MRC 2200 can be applied in the field service for mobile engineers.

Specifications

CPU Support

- Intel® Atom™ N450 1.6GHz processor
- 667MHz FSB

Chipset

- Intel® System Controller Hub ICH8M

Memory

- 1GB DDR2 SDRAM- 667MHz, support up to 2GB (optional)

Storage

- 16GB Solid State Drive/SATA interface, support up to 64GB

Audio

- Intel® high definition audio
- AC '97 compatible
- 2 x 2W built-in speakers
- 1 x external Mic-in and 1 x external Line-out
- 1 x Internal microphone

Display

- 8" TFT LCD with LED backlight
Resolution : 800 x 600 pixels (SVGA)
Luminance : 320nits
Contrast ratio : 500 : 1
- 5-wires resistant touch screen
- Auto dimming via ambient light sensor

I/O Interface

- 2 x USB 2.0 type A port; 1 x mini USB connector
- 1 x MIC-in
- 1 x Line-out
- 1 x 19V DC power input
- 1 x Docking connector

Communication

- IEEE 802.11 b/g/n Wi-Fi module with built-in antenna
- Bluetooth module class 2 v2.1 + EDR (optional)
- WWAN support of GSM/ GPRS/ HSDPA/ WCDMA (optional)

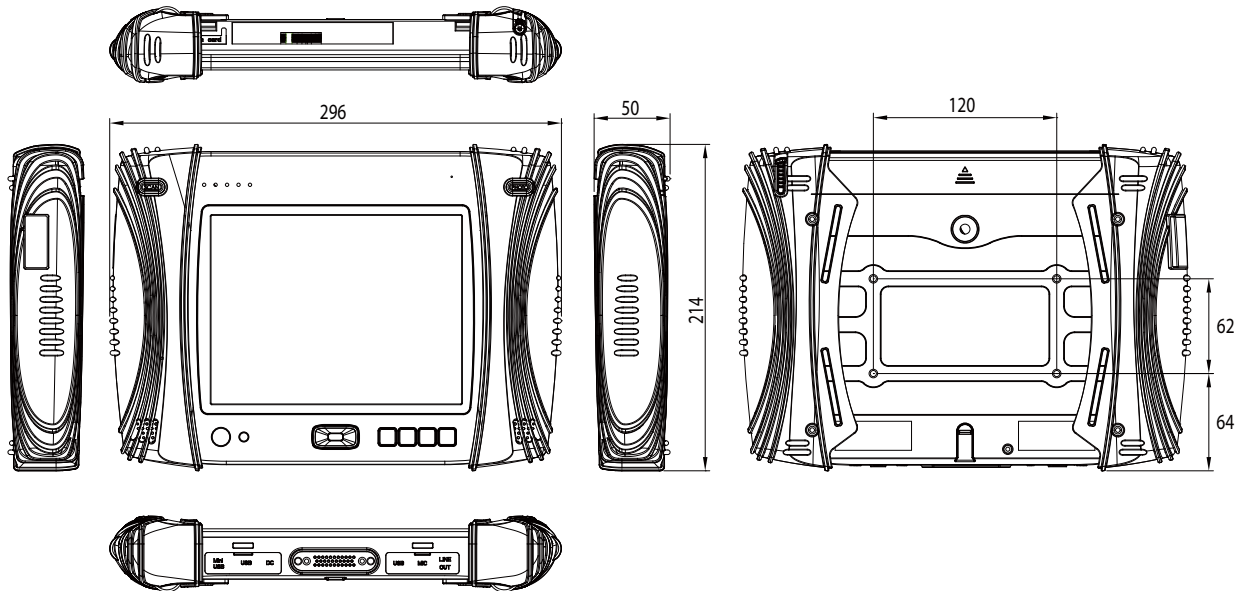
Data Capture

- GPS receiver with built-in internal antenna (optional)
- 2M pixel CMOS camera
- HF RFID reader compliant with ISO14443A/B and ISO 15693 (optional)
- 1D/2D laser barcode engine (optional)

Indicators and Buttons

- Four color LED indicators - power on/off, battery, WLAN and HDD
- Four programmable function keys
- Five buttons – navigation key, power button, wireless switch button, camera shot button and barcode scanner button

Dimension Drawing



Power Input

- Power input voltage : DC 19V/3.42A
- AC adapter : 100V-240V AC, 50Hz/60Hz
- Rechargeable lithium ion smart battery pack : 2600 mAh@11/1V, 28.86W/hr; support hot swap (optional)

Dimensions

- 296mm (W) x 214mm (H) x 50mm (D) with rubber
- 280mm (W) x 205mm (H) x 37mm (D) without rubber
- 1.44Kg with rubber; 1.2Kg without rubber

Enclosure

- Plastic housing (ABS + PC)
- Color: black

Environment

- Operating temperature : -20°C to 50°C
- Storage temperature : -30°C to 60°C
- Rel. humidity : 0% to 95%

Rugged Grade

- IP 54
- Compliance with MIL-STD-810F

Certifications

- CE approval
- FCC Class B

Ordering Information

- ♦ **MRC 2200 (P/N : 10U00220000X0)**
8" Rugged tablet PC with Intel® Atom™ 1.6GHz processor/16GB SSD/1GB memory/5-wires touch screen/ Wi-Fi
- ♦ **Optional Features for MRC 2200**
 - 1D Laser Barcode Scanner : RIOTEC (P/N : 88U00220001X0)
 - 2D Laser Barcode Scanner : Opticon (P/N : 88U00220003X0)
 - WWAN Module with internal antenna : Sierra MC8790V (P/N : 88U00210006X0)
 - HF RFID Reader 13.56MHz (P/N : 88U00220002X0)
 - Bluetooth Pack w/Antenna (P/N : 88U00210007X0)
 - GPS Pack w/Antenna (P/N : 88U00220000X0)
 - Windows XP Pro for Embedded Software Kit (P/N : 88U00220004X0)
 - Windows Embedded Standard 2009 Software Kit (P/N : 88U00220005X0)
- ♦ **Optional Accessories for MRC 2200**
 - Vehicle Docking Station (P/N : 10UK0DOCK00X0)
 - Desktop Docking Station (P/N : 10UK0DOCK02X0)
 - Holding Bracket (P/N : 50501A0325X00)
 - 4 Slots Battery Charger (P/N : 10UK0BATT00X0)
 - Carry Case (P/N : 6019900015X00)
 - Spare Battery Pack (3S1P) (P/N : 4ZTSS26301X00)
 - Vehicle Cigarette Adaptor Charger (P/N : 7400060010X00)
 - USB to VGA Adaptor (P/N : 7500VGA004X00)
 - Power Cable (US) (P/N : 60233POW38X00)
 - Power Cable (EU) (P/N : 60233POW39X00)
 - Power Cable (UK) (P/N : 60233POW40X00)