



Semi-industrial LoRaWAN[®] Gateway

UG65

Quick Start Guide



Safety Precautions

Milesight will not shoulder responsibility for any loss or damage resulting from not following the instructions of this operating guide.

- The device must not be modeled in any way.
- Do not place the device close to objects with naked flames.
- Do not place the device where the temperature is below/above the operating range.
- Do not power on the device or connect it to other electrical device when installing.
- Check lightning and water protection when used outdoors.
- Do not connect or power the equipment using cables that have been damaged.

Related Documents

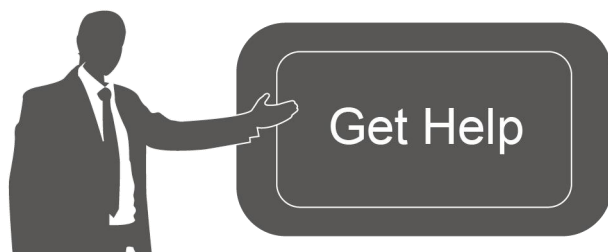
This Quick Start Guide only explains the installation of Milesight UG65 LoRaWAN® Gateway. For more functionality and advanced settings, please refer to the relevant documents as below.

Document	Description
UG65 Datasheet	Datasheet for UG65 LoRaWAN® Gateway.
UG65 User Guide	Users can refer to the guide for instruction on how to log in the web GUI, and how to configure all the settings.

The related documents are available on Milesight website: <https://www.milesight-iot.com>

Declaration of Conformity

UG65 is in conformity with the essential requirements and other relevant provisions of the CE, FCC, and RoHS.



For assistance, please contact

Milesight technical support:

Email: iot.support@milesight.com

Support Portal: support.milesight-iot.com

Tel: 86-592-5085280

Fax: 86-592-5023065

Address: Building C09, Software Park III, Xiamen
361024, China

Revision History

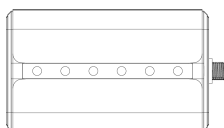
Date	Doc Version	Description
Aug. 31, 2020	V1.0	Initial version
Nov. 24, 2020	V2.0	Layout replace
May 6, 2021	V2.1	Layout replace
Oct. 31, 2022	V 2.2	1. Delete Ethernet cable 2. Web GUI pictures update

Contents

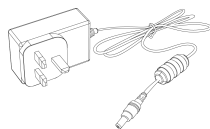
1. Packing List	5
2. Hardware Introduction	5
2.1 Overview	5
2.2 Dimensions (mm)	6
2.3 LED Indicators	6
2.4 Reset Button	7
3. Hardware Installation	7
3.1 SIM Card Installation (Cellular Version Only)	7
3.2 Ethernet Cable & Power Cable Installation	7
3.3 Antenna Installation	8
3.4 Gateway Installation	8
3.4.1 Wall Mounting	8
3.4.2 Pole Mounting	9
4. Login the Web GUI	10
4.1 Wireless Access	10
4.2 Wired Access	11
5. Network Connection	13
5.1 Configure the Ethernet Connection	13
5.2 Configure the Wi-Fi Connection	14
5.3 Configure the Cellular Connection (Cellular Version Only)	15
6. Packet Forwarder Configuration	17
7. Network Server Configuration	19
7.1 Connect UG65 to Milesight IoT Cloud	19
7.2 Connect UG65 to MQTT/HTTP Server	20

1. Packing List

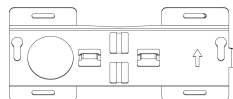
Before you begin to install the UG65 LoRaWAN® Gateway, please check the package contents to verify that you have received the items below.



1 × UG65



1 × DC Jack Power Adapter



1 × Mounting Bracket



2 x Bracket Fixing Screws



4 × Wall Mounting Kits



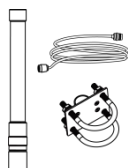
1 × Warranty Card



1 × Quick Start Guide



1 × 18 cm LoRaWAN®
Antenna
(External antenna
version included)



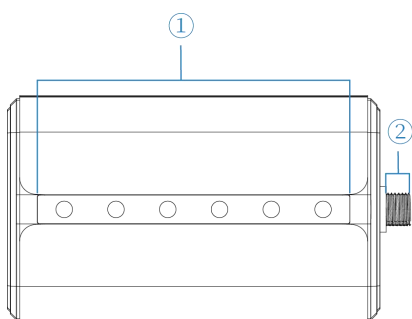
1 × 60 cm LoRaWAN®
Fiber-Glass Antenna Kit
(Optional)

⚠ If any of the above items is missing or damaged, please contact your sales representative.

2. Hardware Introduction

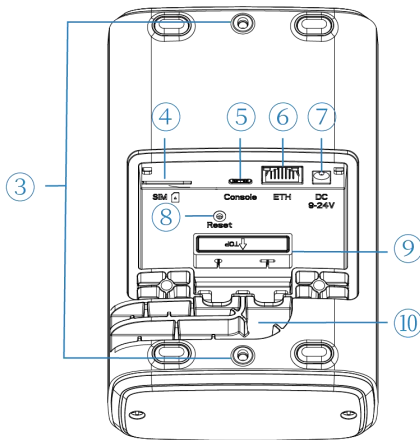
2.1 Overview

A. Front Panel



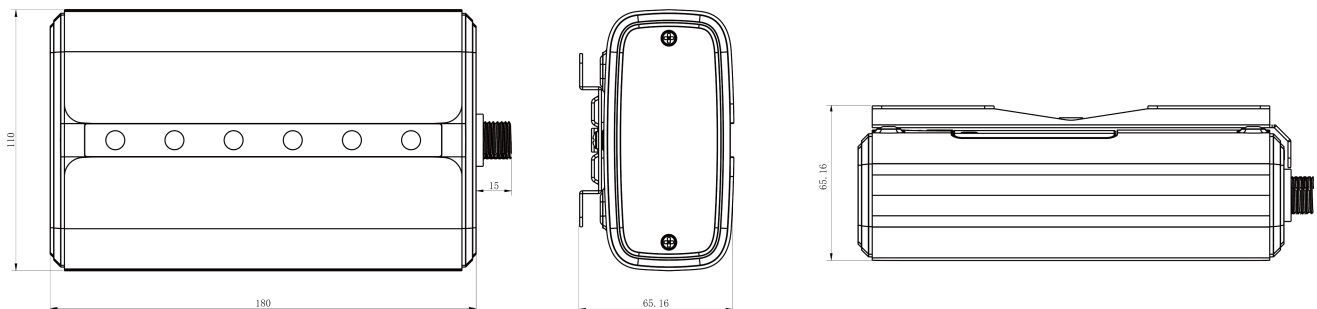
- ① LED Area
 POWER: Power Indicator
 STATUS: System Indicator
 LoRa: LoRa Indicator
 Wi-Fi: Wi-Fi Indicator
 LTE: Cellular Indicator
 ETH: Ethernet Port Indicator
- ② LoRaWAN® Antenna Connector
 (only for external antenna version)

B. Rear Panel



- ③ Bracket Mounting Screws
- ④ SIM Slot
- ⑤ Type-C Port
- ⑥ Ethernet Port (PoE)
- ⑦ Power Connector
- ⑧ Reset Button
- ⑨ Waterproof Silicone
- ⑩ Cable Groove

2.2 Dimensions (mm)



2.3 LED Indicators

LED	Indication	Status	Description
POWER	Power Status	Off	The power is switched off
		On	The power is switched on
STATUS	System Status	Blue Light	Static: the system is running properly
		Red Light	The system goes wrong
LoRa	Packet Forwarder Status	Off	Packet Forwarder mode is running off
		Blue Light	Packet Forwarder mode is running well
Wi-Fi	Wi-Fi Status	Off	Wi-Fi is disabled
		Blue Light	Wi-Fi is enabled
LTE	Cellular Status	Off	SIM card is registering or fails to register (or there are no SIM cards inserted)
		Blue Light	Blinking slowly: SIM card has been registered and is ready for dial-up
			Blinking rapidly: SIM card has been registered and is dialing up now
		Static: SIM card has been registered and	

			dialed up successfully
ETH	Ethernet Port Status	Off	Disconnected
		Blue Light	Static: Connected

2.4 Reset Button

Function	Description	
	STATUS LED	Action
Reset	Static Blue	Press and hold the reset button for more than 5 seconds.
	Static Blue → Rapidly Blinking	Release the button and wait.
	Off → Static Blue	The gateway resets to factory default.

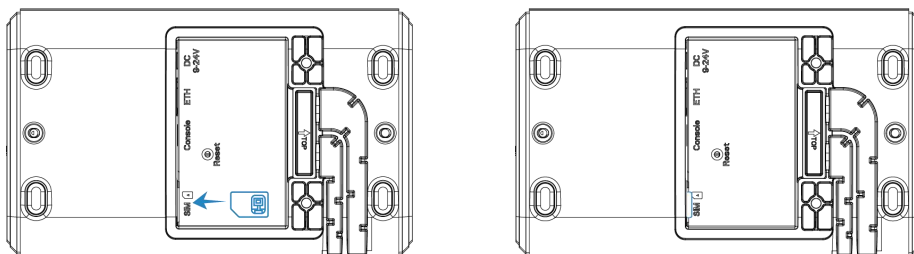
3. Hardware Installation

3.1 SIM Card Installation (Cellular Version Only)

A. Use screwdriver to open the protective cover on the back panel of UG65.

B. Insert the SIM card into the device according to the direction icon on the device. If you need to take out the SIM card, press into the SIM card and it will pop up automatically.

Note: Only when the PN on the device label includes “-LXXX” supports cellular.

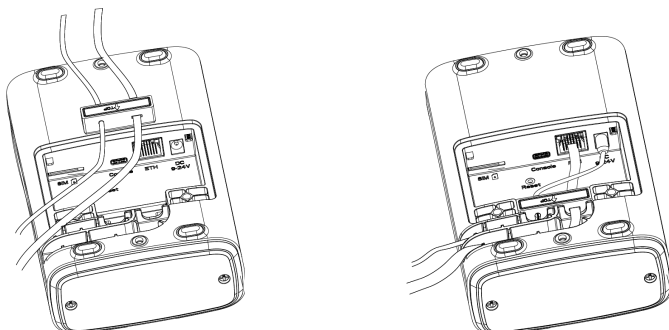


3.2 Ethernet Cable & Power Cable Installation

A. Connect the Ethernet cable and power cable to corresponding interfaces.

B. Pass two cables through the waterproof silicone and slid into the grooves.

C. Screw the protective cover back to the device.

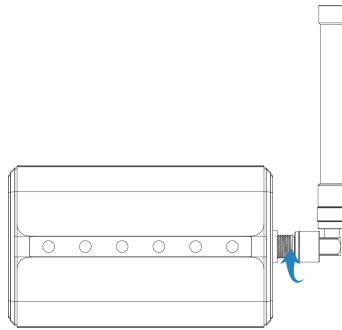


UG65 can also be powered by 802.3af standard PoE injector or other PoE devices. If both connected, DC power is preferred.

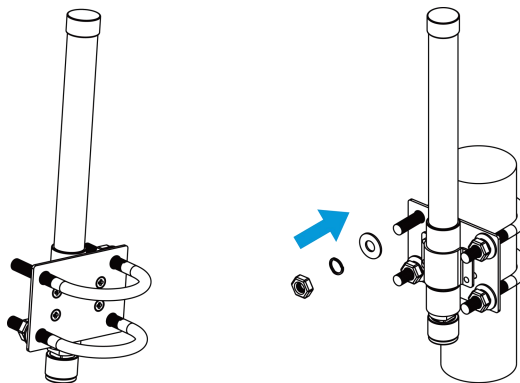
3.3 Antenna Installation

For external antenna version, rotate the antenna into the antenna connector accordingly. The external antenna should be installed vertically always on a site with a good signal.

Note: Please do not let the front panel of products faces to walls if you select embedded antenna mode.



If you use 60 cm antenna kit, fix the LoRaWAN[®] antenna to a pole via antenna clamp kit: pass the LoRaWAN[®] antenna through the antenna clamp and fix it with 4 screws, then wrap the U-bolt around a pole and fix the clamp with nuts and other accessories. After installation, connect the antenna to gateway antenna connector via the coaxial cable.



3.4 Gateway Installation

UG65 can be mounted to a wall or a pole. Before you start, make sure that your SIM card has been inserted, your antennas have been attached and all cables have been installed.

3.4.1 Wall Mounting

Preparation: mounting bracket, bracket fixing screws, wall plugs, wall mounting screws and other required tools.

A. Align the mounting bracket horizontally to the desired position on the wall, use a marker pen to mark four mounting holes on the wall, and then remove the mounting bracket from the wall.

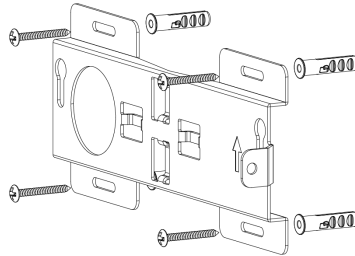
Note: The connecting lines of adjacent points are at right angles.

B. Drill four holes with a depth of 32 mm by using your drill with a 6 mm drill bit on the positions you

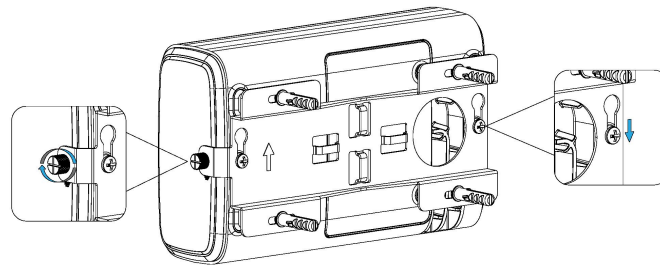
marked previously on the wall.

C. Insert four wall plugs into the holes respectively.

D. Mount the mounting bracket horizontally to the wall by fixing the wall mounting screws into the wall plugs.



E. Screw the bracket fixing screws to the back panel of device, then hang the device to the mounting bracket on the wall.



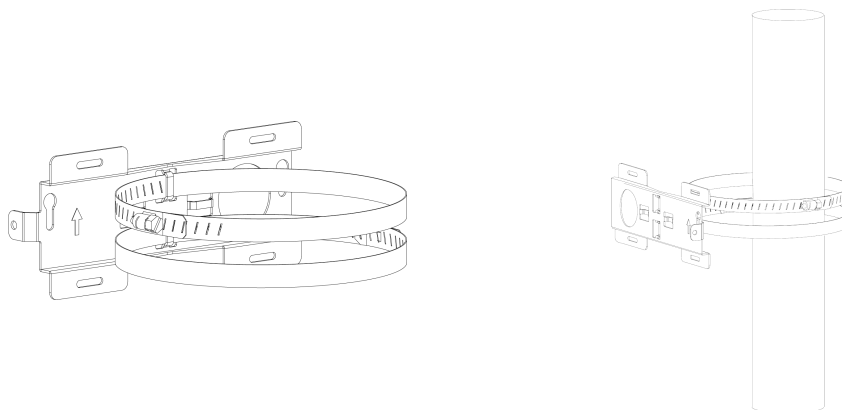
3.4.2 Pole Mounting

Preparation: mounting bracket, bracket fixing screws, hose clamp and other required tools.

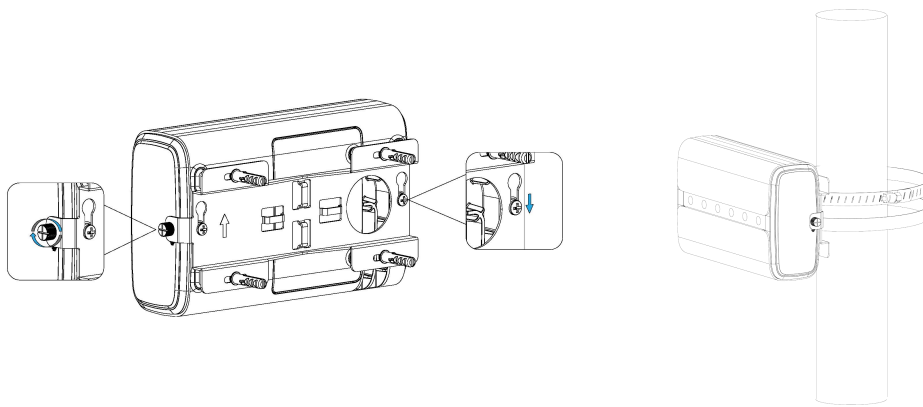
A. Loosen the hose clamp by turning the locking mechanism counter-clockwise.

B. Straighten out the hose clamp and slide it through the rectangular rings in the mounting bracket, wrap the hose clamp around the pole.

C. Use a screwdriver to tighten the locking mechanism by turning it clockwise.



D. Screw the bracket fixing screws to the back panel of device, then hang the device to the mounting bracket on the pole.



4. Login the Web GUI

UG65 provides web-based configuration interface for management. If this is the first time you configure the gateway, please use the default settings below:

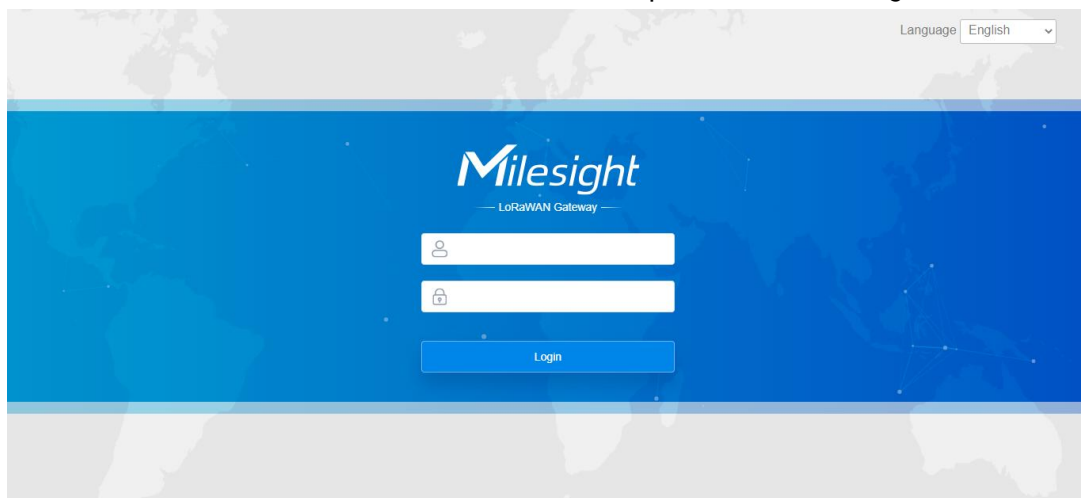
Username: **admin**

Password: **password**

4.1 Wireless Access

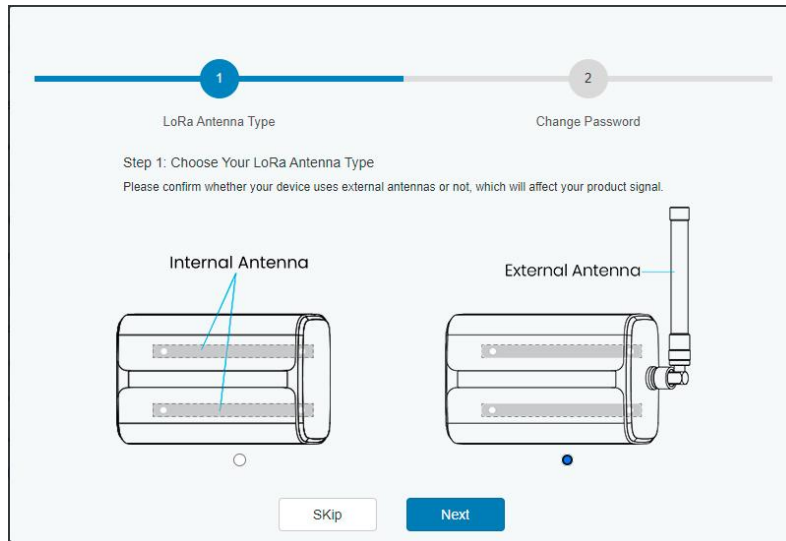
A. Enable Wireless Network Connection on your computer and search for access point "Gateway_*****" to connect it.

B. Open a Web browser on your PC (Chrome is recommended) and type in the IP address **192.168.1.1** to access the web GUI, then enter the default username and password, click "Login".



If you enter the username or password incorrectly more than 5 times, the login page will be locked for 10 minutes.

D. After logging the web GUI, follow the guide to complete the basic configurations. It's suggested that you change the password for the sake of security.

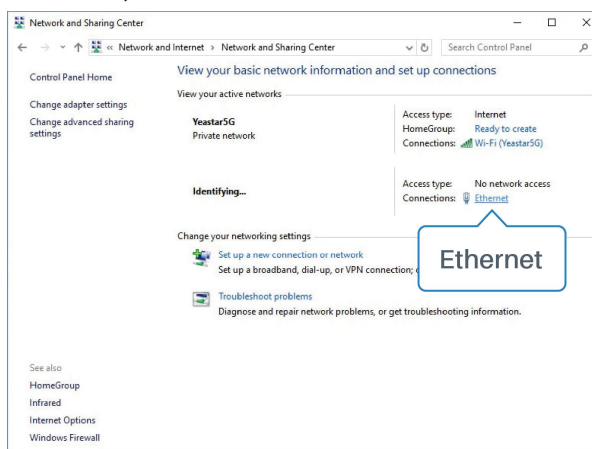


E. You can view system information and perform configuration of the gateway.

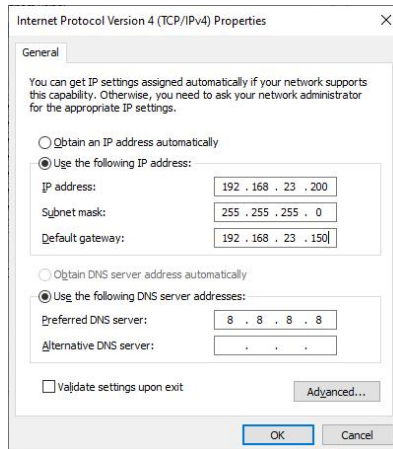
4.2 Wired Access

Connect PC to UG65 ETH port directly or through PoE injector. The following steps are based on Windows 10 operating system for your reference.

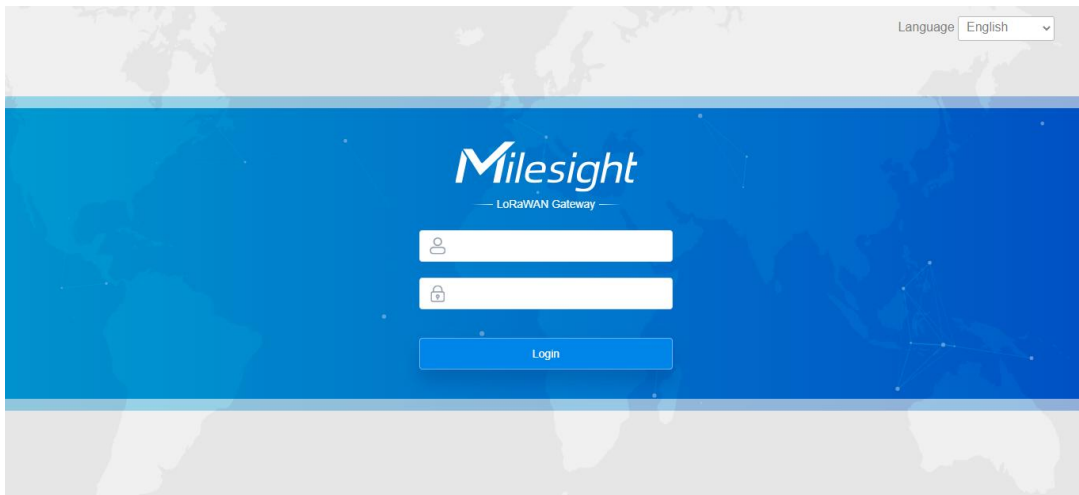
A. Go to "Control Panel" → "Network and Internet" → "Network and Sharing Center", then click "Ethernet" (May have different names).



B. Go to “Properties” → “Internet Protocol Version 4(TCP/IPv4) ”and select “Use the following IP address”, then assign a static IP manually within the same subnet of the gateway.

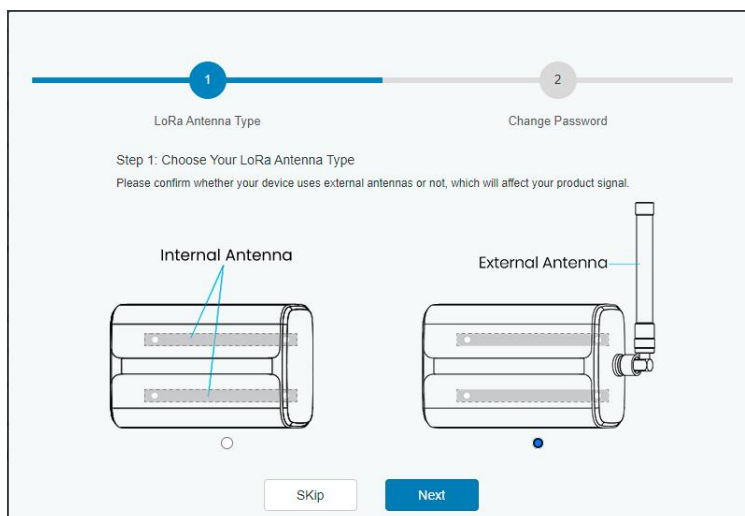


C. Open a Web browser on your PC (Chrome is recommended) and type in the IP address **192.168.23.150** to access the web GUI, then enter the default username and password, click “Login”.



If you enter the username or password incorrectly more than 5 times, the login page will be locked for 10 minutes.

E. After logging the web GUI, follow the guide to complete the basic configurations. It's suggested that you change the password for the sake of security.



F. After guide complete, you can view system information and perform configuration of the gateway.

The screenshot displays the Milesight web interface. At the top, there is a navigation bar with the Milesight logo and a user profile for 'admin'. Below the navigation bar, a warning message reads: "For your device security, please change the default password". The main content area is divided into several tabs: Overview, Packet Forward, Cellular, Network, WLAN, VPN, Host List, and Help. The 'Overview' tab is selected, showing 'System Information'. The system information is presented in a table:

Model	UG65-L00E-470M-EA
Region	CN470
Serial Number	6221A4950760
Firmware Version	60.0.3000.26
Hardware Version	V1.1
Local Time	2020-12-10 17:57:24 Thursday
Uptime	03:04:04
CPU Load	6%
RAM (Capacity/Available)	512MB/65MB(12.7%)
eMMC (Capacity/Available)	2.0G/1.8G(90.80%)

At the bottom right of the system information section, there are two buttons: "Manual Refresh" and "Refresh". A help sidebar is visible on the right side of the page, listing various system parameters and their descriptions.

5. Network Connection

This section explains how to connect the gateway to network via WAN connection, Wi-Fi or cellular.

5.1 Configure the Ethernet Connection

A. Go to "Network" → "Interface" → "Port" page to select the connection type and configure Ethernet port information, click "Save & Apply" for changes to take effect.

The screenshot shows the 'Port' configuration page in the Milesight web GUI. The page has tabs for 'Port', 'WLAN', 'Cellular', and 'Loopback', with 'Port' selected. Under the 'Port' tab, there is a dropdown menu for 'Port_1'. Below this, the configuration fields are as follows:

- Port: eth 0
- Connection Type: Static IP
- IP Address: 192.168.22.112
- Netmask: 255.255.255.0
- Gateway: 192.168.22.1
- MTU: 1500
- Primary DNS Server: 8.8.8.8
- Secondary DNS Server: 114.114.114.114
- Enable NAT:

B. Connect Ethernet port of gateway to devices like router or modem.

C. Log in the web GUI via the newly assigned IP address and go to "Status" → "Network" to check Ethernet port status.

Overview	Packet Forward	Cellular	Network	WLAN	VPN	Host List	
WAN							
Port	Status	Type	IP Address	Netmask	Gateway	DNS	Duration
eth 0	up	Static	192.168.22.112	255.255.255.0	192.168.22.1	8.8.8.8	1days,02h 34m 22s

5.2 Configure the Wi-Fi Connection

A. Go to “Network” → “Interface” → “WLAN” and select “Client” mode.

B. Click “Scan” to search for Wi-Fi access point. Select the available one and click “Join Network”.

Note: please do use [wired access](#) method to access the web GUI, or you will fail to configure Wi-Fi setting.

Port	WLAN	Cellular	Loopback				
< GoBack							
SSID	Channel	Signal	Cipher	BSSID	Security	Frequency	
AAA	Auto	-61dBm	AES	24:e1:24:f0:c4:13	WPA-PSK/WPA2-PSK	2412MHz	Join Network

C. Type the key of Wi-Fi.

Port	WLAN	Cellular	Loopback
WLAN			
Enable	<input checked="" type="checkbox"/>		
Work Mode	Client		Scan
SSID	AAA		
BSSID	24:e1:24:f0:c4:13		
Encryption Mode	WPA-PSK/WPA2-PSK		
Cipher	AES		
Key		
IP Setting			
Protocol	DHCP Client		

D. Go to “Status” → “WLAN” to check Wi-Fi status. If it shows “Connected”, it means gateway connects to Wi-Fi successfully.

Overview	Packet Forward	Cellular	Network	WLAN
WLAN Status				
Wireless Status	Enabled			
MAC Address	24:e1:24:f0:de:14			
Interface Type	Client			
SSID	AAA			
Channel	Auto			
Encryption Type	WPA-PSK/WPA2-PSK			
Cipher	AES			
Status	Connected			
IP Address	192.168.1.145			
Netmask	255.255.255.0			
Connection Duration	0 days, 02:44:45			

E. Go to "Network" → "Failover" → "WAN Failover" to switch the wlan0 as main interface, then gateway can use the Wi-Fi to access the Internet.

Main Interface	Backup Interface	Startup Delay(s)	Up Delay(s)	Down Delay(s)	Track ID	Operation
wlan0	eth 0	30	0	0	1	[X] [+]

Save

5.3 Configure the Cellular Connection (Cellular Version Only)

- Go to "Network" → "Interface" → "Cellular" → "Cellular Setting" page to enable cellular settings.
- Choose relevant network type and fill in SIM card information like APN or PIN code, click "Save" and "Apply" for changes to take effect.

Port	WLAN	Cellular	Loopback
Cellular Setting			
Enable		<input checked="" type="checkbox"/>	
Network Type		Auto	
APN			
Username			
Password			
Access Number			
PIN Code			
Authentication Type		Auto	
Roaming		<input checked="" type="checkbox"/>	
SMS Center			
Connection Setting		<input type="checkbox"/>	
Enable NAT		<input checked="" type="checkbox"/>	


D. Go to "Status" → "Cellular" page to view the status of the cellular connection. If it shows "Connected", it means the SIM has dialed up successfully. On the other hand, you can check the status of LTE indicator. If it keeps on light statically, it means SIM has dialed up successfully.

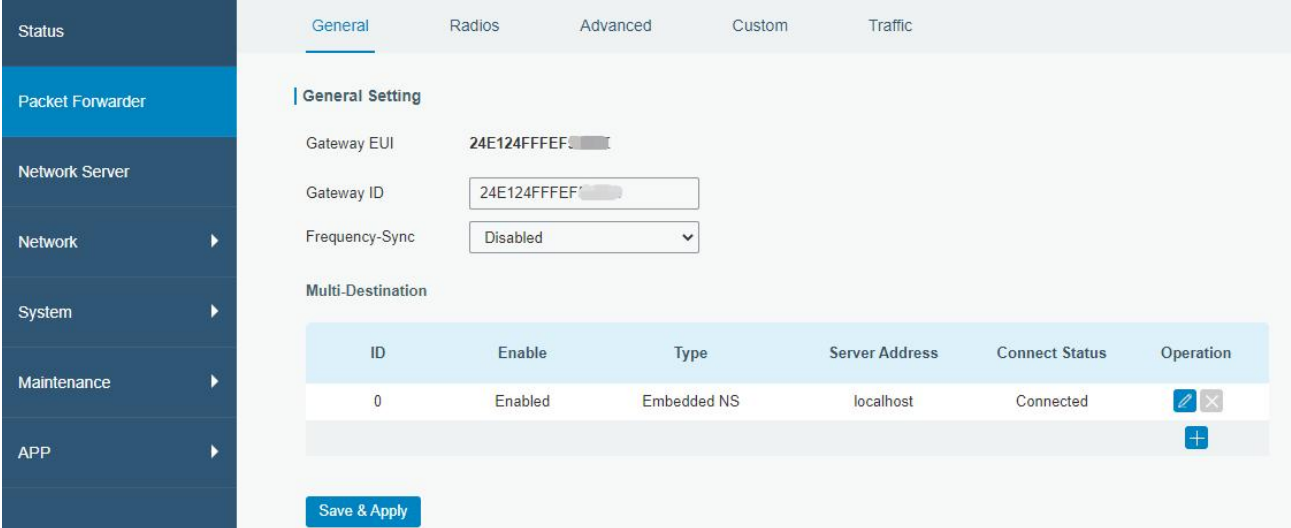
Overview	Packet Forward	Cellular	Network	WLAN
Modem				
Status		Ready		
Model		EC25		
Version		EC25ECGAR06A07M1G		
Signal Level		23asu (-67dBm)		
Register Status		Registered (Home network)		
IMEI		860425047368939		
IMSI		460019425301842		
ICCID		89860117838009934120		
ISP		CHN-UNICOM		
Network Type		LTE		
PLMN ID				
LAC		5922		
Cell ID		340db83		
Network				
Status		Connected		
IP Address		10.132.132.59		
Netmask		255.255.255.240		
Gateway		10.132.132.60		

6. Packet Forwarder Configuration




UG65 has installed multiple packet forwarders including Semtech, Chirpstack-Generic MQTT broker, etc. This section explains how to connect the gateway to third party network servers.

! Make sure the gateway connects to the network as shown in [Section 5](#).

A. Go to “Packet Forwarder” → “General” page and click  to add a network server.

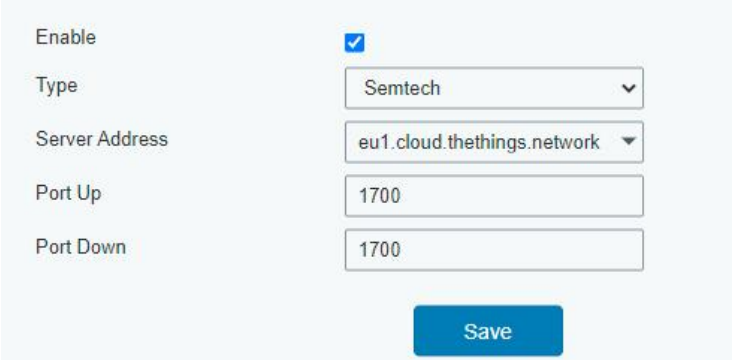


The screenshot shows the 'General' configuration page for a Packet Forwarder. The left sidebar contains navigation options: Status, Packet Forwarder (selected), Network Server, Network, System, Maintenance, and APP. The main content area has tabs for General, Radios, Advanced, Custom, and Traffic. Under 'General Setting', the Gateway EUI is 24E124FFFEF, Gateway ID is 24E124FFFEF, and Frequency-Sync is Disabled. A 'Multi-Destination' table is shown below:

ID	Enable	Type	Server Address	Connect Status	Operation
0	Enabled	Embedded NS	localhost	Connected	 
					

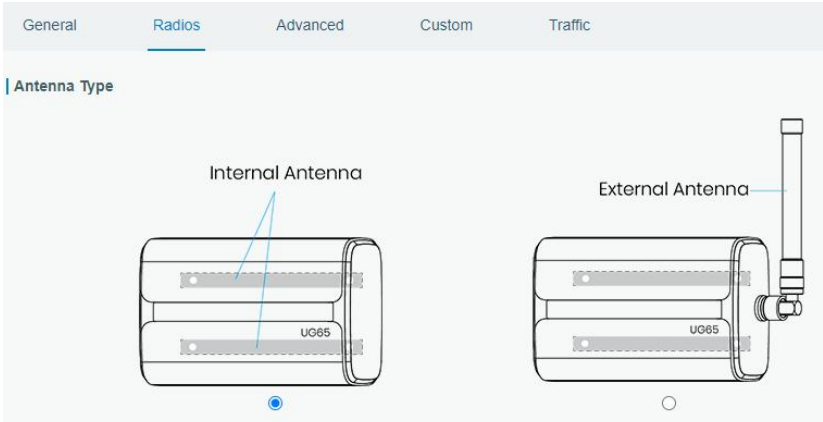
A 'Save & Apply' button is located at the bottom of the configuration area.

B. Fill in the server information and enable this server.



The screenshot shows a form for configuring a network server. The 'Enable' checkbox is checked. The 'Type' dropdown is set to 'Semtech'. The 'Server Address' dropdown is set to 'eu1.cloud.thethings.network'. The 'Port Up' and 'Port Down' fields are both set to '1700'. A 'Save' button is at the bottom.

C. Go to “Packet Forwarder” → “Radio” page to configure antenna type, center frequency and channels. The channels of the gateway and network server need to be the same.



The screenshot shows the 'Radios' configuration page. The 'Antenna Type' section has two radio buttons: 'Internal Antenna' (selected) and 'External Antenna'. Below each radio button is a diagram of the UG65 gateway. The 'Internal Antenna' diagram shows the antenna inside the device, and the 'External Antenna' diagram shows an external antenna connected to the side of the device.

Region US915

Name	Center Frequency/MHz
Radio 0	904.3
Radio 1	905.0

Multi Channels Setting

Enable	Index	Radio	Frequency/MHz
<input checked="" type="checkbox"/>	0	Radio 0	903.9
<input checked="" type="checkbox"/>	1	Radio 0	904.1
<input checked="" type="checkbox"/>	2	Radio 0	904.3
<input checked="" type="checkbox"/>	3	Radio 0	904.5
<input checked="" type="checkbox"/>	4	Radio 1	904.7
<input checked="" type="checkbox"/>	5	Radio 1	904.9
<input checked="" type="checkbox"/>	6	Radio 1	905.1
<input checked="" type="checkbox"/>	7	Radio 1	905.3

D. Add the gateway on network server page. For more details about the network server connection please refer to [Milesight IoT Support portal](#).

E. Go to "Traffic" page to view the data communication of UG65.

General Radios Advanced Custom Traffic

Traffic Setting

Stop
Clear

Rfch	Direction	Time	Ticks	Frequency	Datarate	Coderate	RSSI	SNR
1	up	11:52:38	317882157 1	865.985	SF7BW125	4/5	-91	5.0
1	up	11:52:22	316226269 2	866.585	SF7BW125	4/7	-108	-11.8
0	down	-	311888813 1	865.0625	SF7BW125	4/5	-	-
0	up	11:51:37	311788813 1	865.0625	SF7BW125	4/5	-95	-0.8

7. Network Server Configuration

UG65 can work as network server and transmit data to Milesight IoT Cloud or other platform via MQTT/HTTP/HTTPS.



Make sure the gateway connects to the network as shown in [Section 5](#).

7.1 Connect UG65 to Milesight IoT Cloud

A. Go to “Packet Forwarder” → “General” page to enable the embedded network server.

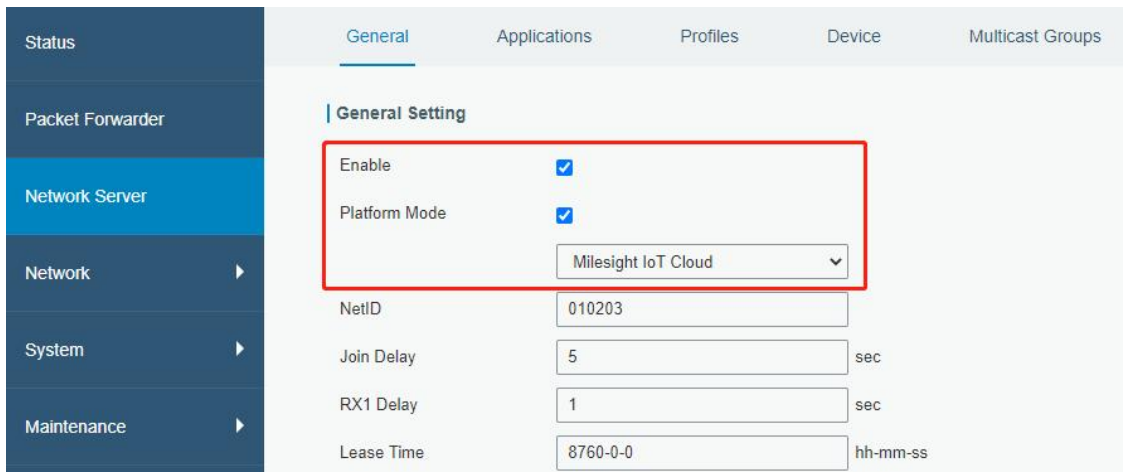
ID	Enable	Type	Server Address	Connect Status	Operation
0	Enabled	Embedded NS	localhost	Connected	

B. Go to “Packet Forwarder” → “Radio” page to select the antenna type, center frequency and channels. The channels of the gateway and nodes need to be the same.

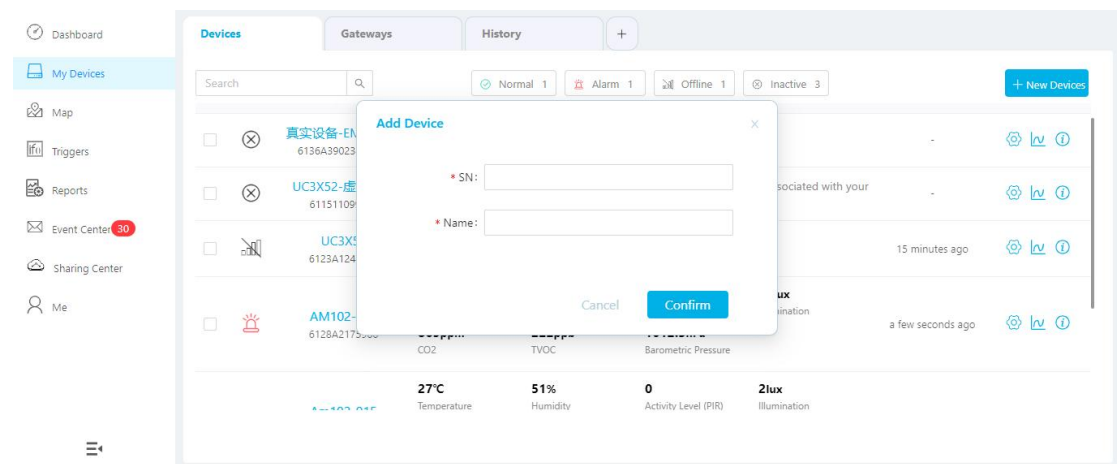
Name	Center Frequency/MHz
Radio 0	904.3
Radio 1	905.0

Enable	Index	Radio	Frequency/MHz
<input checked="" type="checkbox"/>	0	Radio 0	903.9
<input checked="" type="checkbox"/>	1	Radio 0	904.1
<input checked="" type="checkbox"/>	2	Radio 0	904.3
<input checked="" type="checkbox"/>	3	Radio 0	904.5
<input checked="" type="checkbox"/>	4	Radio 1	904.7
<input checked="" type="checkbox"/>	5	Radio 1	904.9
<input checked="" type="checkbox"/>	6	Radio 1	905.1
<input checked="" type="checkbox"/>	7	Radio 1	905.3

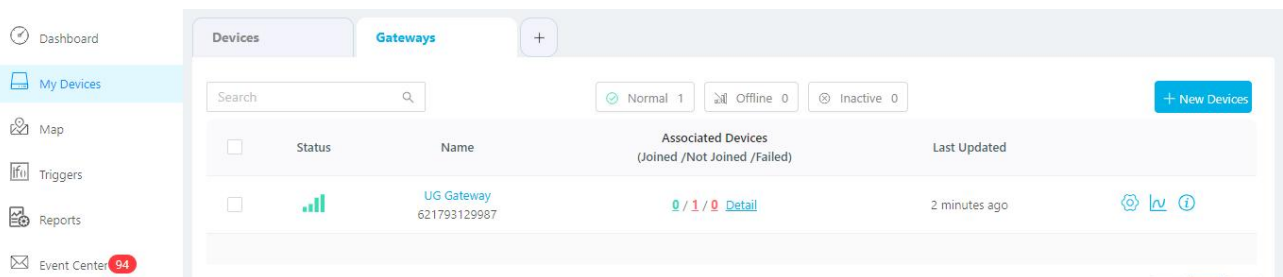
C. Go to “Network Server” → “General” page to enable the network server and “Milesight IoT Cloud” mode.



D. Log in the Milesight IoT Cloud. Then go to “My Devices” page and click “+New Devices” to add gateway to Milesight IoT Cloud via SN. Gateway will be added under “Gateways” menu.



E. The gateway is online on Milesight IoT Cloud.



7.2 Connect UG65 to MQTT/HTTP Server

A. Go to “Packet Forwarder” → “General” page to enable the embedded network server.

The screenshot shows the 'Packet Forwarder' configuration page. The 'General Setting' section includes:

- Gateway EUI: 24E124FFFEF
- Gateway ID: 24E124FFFEF
- Frequency-Sync: Disabled

The 'Multi-Destination' table is as follows:

ID	Enable	Type	Server Address	Connect Status	Operation
0	Enabled	Embedded NS	localhost	Connected	[Edit] [Delete] [Add]

B. Go to “Packet Forwarder” → “Radio” page to select the antenna type, center frequency and channels. The channels of the gateway and nodes need to be the same.

The screenshot shows the 'Radio' configuration page. The 'Region' is set to US915. The 'Radio' table is as follows:

Name	Center Frequency/MHz
Radio 0	904.3
Radio 1	905.0

The 'Multi Channels Setting' table is as follows:

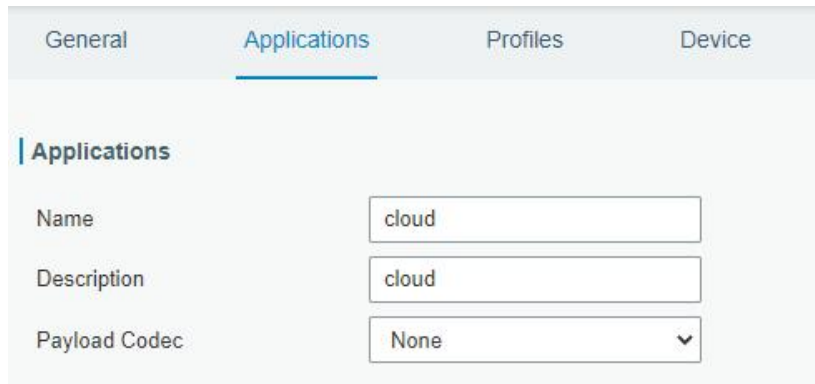
Enable	Index	Radio	Frequency/MHz
<input checked="" type="checkbox"/>	0	Radio 0	903.9
<input checked="" type="checkbox"/>	1	Radio 0	904.1
<input checked="" type="checkbox"/>	2	Radio 0	904.3
<input checked="" type="checkbox"/>	3	Radio 0	904.5
<input checked="" type="checkbox"/>	4	Radio 1	904.7
<input checked="" type="checkbox"/>	5	Radio 1	904.9
<input checked="" type="checkbox"/>	6	Radio 1	905.1
<input checked="" type="checkbox"/>	7	Radio 1	905.3

C. Go to “Network Server” → “General” page to enable the network server mode.

The screenshot shows the 'Network Server' configuration page. The 'General Setting' section includes:

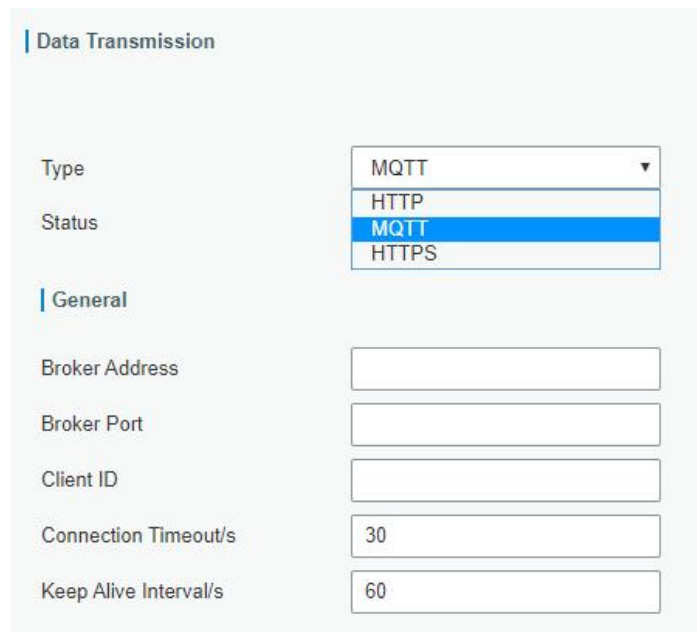
- Enable:
- Platform Mode:
- NetID: 010203
- Join Delay: 5 sec
- RX1 Delay: 1 sec
- Lease Time: 8760-0-0 hh-mm-ss
- Log Level: debug

D. Go to “Network Server”→“Application” to add a new application.



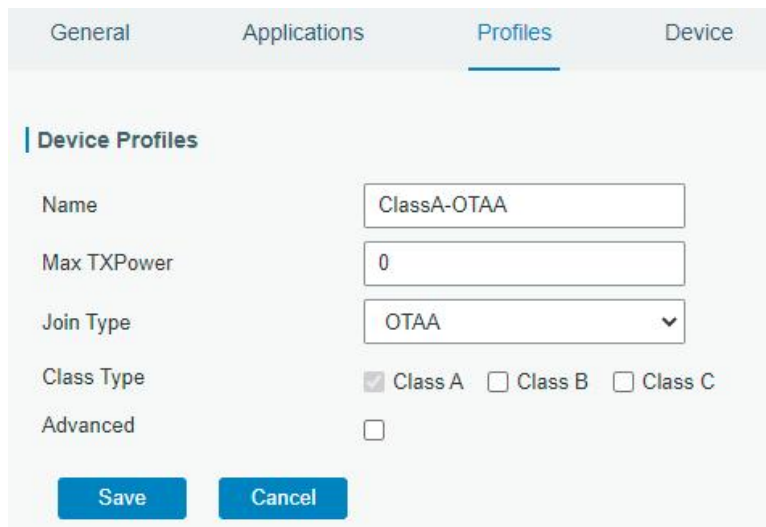
General	Applications	Profiles	Device
Applications			
Name	<input type="text" value="cloud"/>		
Description	<input type="text" value="cloud"/>		
Payload Codec	<input type="text" value="None"/>		

After saving the application, you can select HTTP, HTTPS or MQTT protocol and fill in correspond server information to send data to another server.



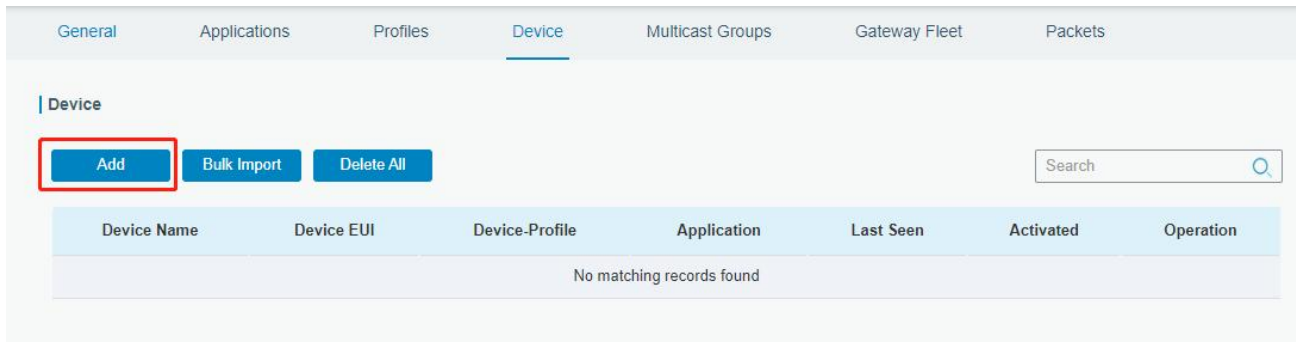
Data Transmission	
Type	<input type="text" value="MQTT"/>
Status	<input type="text" value="MQTT"/>
General	
Broker Address	<input type="text"/>
Broker Port	<input type="text"/>
Client ID	<input type="text"/>
Connection Timeout/s	<input type="text" value="30"/>
Keep Alive Interval/s	<input type="text" value="60"/>

E. Go to “Profiles” page to add a new profile for the device.



General	Applications	Profiles	Device
Device Profiles			
Name	<input type="text" value="ClassA-OTAA"/>		
Max TXPower	<input type="text" value="0"/>		
Join Type	<input type="text" value="OTAA"/>		
Class Type	<input checked="" type="checkbox"/> Class A <input type="checkbox"/> Class B <input type="checkbox"/> Class C		
Advanced	<input type="checkbox"/>		
<input type="button" value="Save"/> <input type="button" value="Cancel"/>			

F. Go to "Device" page and click "Add" to add LoRaWAN® node devices.



Device Name:

Description:

Device EUI:

Device-Profile:

Application:

Frame-counter Validation:

Application Key:

Device Address:

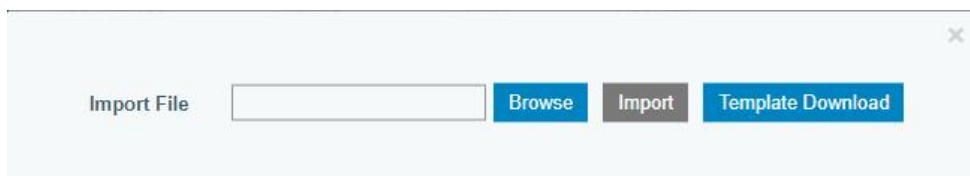
Network Session Key:

Application Session Key:

Uplink Frame-counter:

Downlink Frame-counter:

You can also click "Bulk Import" if you want to add many nodes all at once.



Click "Template Download" to download template file and add device information to this file. Application and device profile should be the same as you created on web page.

	A	B	C	D	E	F	G	H	I
1	name	description	deveui	application	deviceprofile	appkey	devaddr	appskey	nwkskey
2	24e1242191323266		24e1242191323266	cloud	ClassC-OTAA	112233445566778899aa112233445566			
3									
4									
5									

Import this file to add bulks of devices.

F. Go to "Packets" page to check the packets from LoRaWAN® node devices. The type starts from "Up" means uplinks and "Dn" means downlinks.

Network Server

Clear

Device EUI	Frequency	Datarate	SNR	RSSI	Size	Fcnt	Type	Time	Details
24e124126a146579	868300000	SF7BW125	8.5	-85	4	14	UpUnc	2020-04-28T15:09:25+08:00	!
24e124126a146579	868300000	SF7BW125	10.2	-75	4	13	UpUnc	2020-04-28T15:04:25+08:00	!

Click "Details" to check the properties and payload contents of packets.

Packets Details ×

Fcnt	14
Port	85
Modulation	LORA
Bandwidth	125
SpreadFactor	7
Bitrate	0
CodeRate	4/5
SNR	8.5
RSSI	-85
Power	-
Payload(b64)	A3cYAA==
Payload(hex)	03771800
MIC	f5acdeb2

[END]