

MWE810/820A/820B/814

USB↔RS232/RS485/422 Converter



- ◆ Fully comply with USB2.0 specification and support hot swap;
- ◆ Support WIN98/2000/XP multiple operating systems;
- ◆ Support remote wake-up and power management;
- ◆ Unique serial port protection circuit with anti-static, anti-lightning and surge suppression functions;
- ◆ Built-in intelligent module, automatic identification of RS-485/422 signal flow, zero-delay automatic forwarding technology;
- ◆ Industrial-grade design, preferably imported components, all surface mount technology.



RoHS



IP40

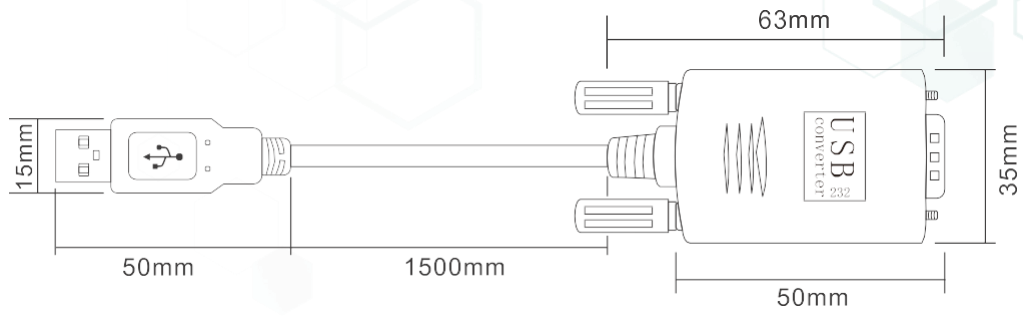
Product Description

MWE810/820A/820B/814 series interface converter is a full-signal converter device that can convert USB to 4-channel RS232. It can realize two-way data conversion between serial ports. The converter can automatically detect the baud rate of the serial port. Provides a convenient use advantage, even if the baud rate of the device changes, the data person can transfer through the converter without loss. The I/O circuit is used to automatically control the direction of the data flow, so there is no need to set the handshake signal jumper to ensure compliance with the existing communication software and interface hardware. It can be hot-swappable and has good resistance to high temperature and low temperature, and it can run stably under the temperature environment of -45°C~85°C. The hardware adopts fanless, low power consumption and wide temperature design, which can be widely used in indoor and outdoor systems such as attendance, access control, pan/tilt control, meal sales and parking lots.

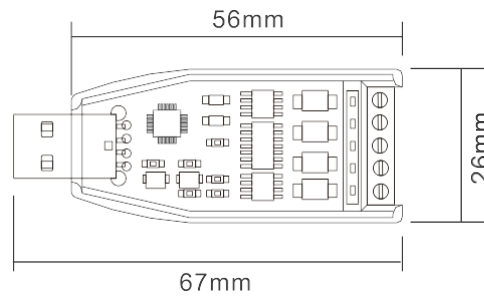
Technical Specification

Specification				
Model	MWE810	MWE820A	MWE820B	MWE814
Description	USB to RS232/485/422 converter			USB to 4-way RS232/485 converter
Standard	USBV1.0/2.0	USBV1.0/2.0 RS485/422	USBV1.0/2.0 RS232/RS485/422	USBV1.0/2.0 RS-232
Interface	USB: USB female Serial port: DB9	USB end: USB female Serial port: industrial terminal block		
Input voltage	Powered by USB port			
Power indicate lights	POW (red): always on when the power is connected normally			
Serial port indicator	Flashing when data is being sent or received			
Interface terminals	USB female			
Communication rate	300bps ~ 115.2kbps	300bps ~ 12Mbps		
Consumption	≤1W		≤2W	
Serial cable	RS-232 , 15m@9600bps RS-422/RS-485 , 1.2km@9600bps			
Weight	0.09 kg	0.05 kg	0.1 kg	
Shell	DB9 plastic shell		Adam shell	
Size(mm)	47×9×34	66×13×26	113×34×72	
Working temperature	-40°C~85°C			

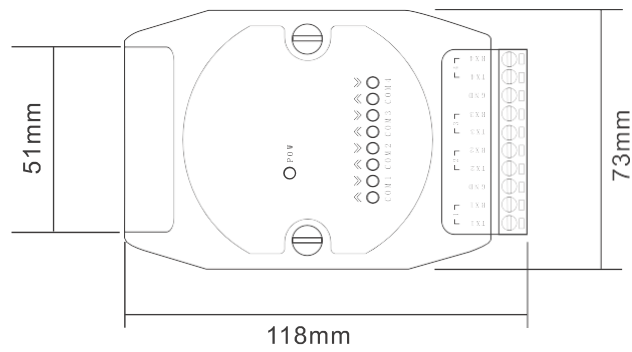
Installation



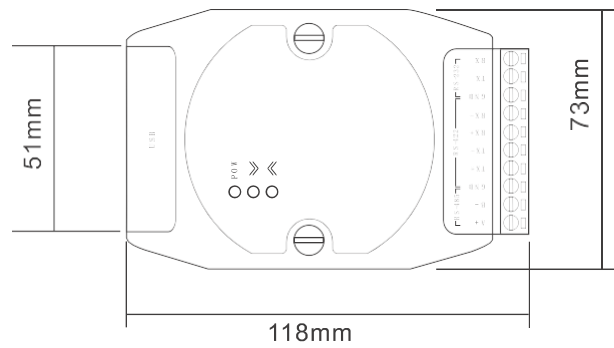
MWE810



MWE820A



MWE820B



MWE814