

MWE485-A

RS232 to RS485 Serial Port Powered Converter

Product Description

MWE485-A can convert a 3-wire (RX, TX, GND) RS-232 serial port signal to a semi-duplex RS-485 signal without external power supply. The main function of RS-232/485 interface converter is to realize the bidirectional mutual conversion between RS-232 signal and RS 485 signal. The series products are powered by serial port stealing or external power supply, which has small size, long distance, stable performance and other characteristics. At the same time, the series of products are easy to install and meet the needs of industrial field serial port data conversion, and are widely used in intelligent power management, intelligent traffic bayonet, water conservancy monitoring, industrial automation and other systems.



Features:

- Port powered, no need external power supply
- Particular protecting circuit for the serial port, hot-Swappable
- Automatically transmit with no delay, no need CTS flow control

Product Specification

Technical parameters

| | |
|----------|---------------------------------------------|
| Standard | Compliant with EIA RS-232, RS-485 standards |
|----------|---------------------------------------------|

Interface

| | |
|----------------|------------------------------------------------------------|
| Interface form | RS-232: DB9 interface RS-485: Industrial terminal block |
|----------------|------------------------------------------------------------|

Communication rate

| | |
|-----------|------------------|
| Baud Rate | 300bps~115.2kbps |
|-----------|------------------|

LEDs

| | |
|-----------------------------------------|-----------------------------------------------------------|
| Power indicator | POW(Red): Always lit when the power is connected normally |
| Serial port transceiver indicator light | ≡(Green): Flashes when data is being sent or received |
| | ≡(Yellow): Flashes when data is being sent or received |

Power

| | |
|--------------|------------------------------------------|
| Power Supply | Serial Port Powered |
| Interface | DB9 interface, industrial terminal block |

Physical Characteristics

| | |
|-----------|------------------|
| Shell | DB9 plastic case |
| Dimension | 87mm×17mm×33mm |
| Weight | 0.03kg |

Transmission distance

| | |
|------------------|----------------------------------------------|
| Serial port line | RS-232, 15m@9600bps RS-485, 1.2km@9600bps |
|------------------|----------------------------------------------|

Working Environment

| | |
|-----------------------|------------|
| Operating Temperature | -40°C~85°C |
| Storage temperature | -40°C~85°C |
| Ambient Humidity | 5%~95% |

Warranty

| | |
|----------|---------|
| Warranty | 5 Years |
|----------|---------|

Certification

| | |
|---------------|---------------|
| Certification | CE, FCC, RoHS |
|---------------|---------------|

Application

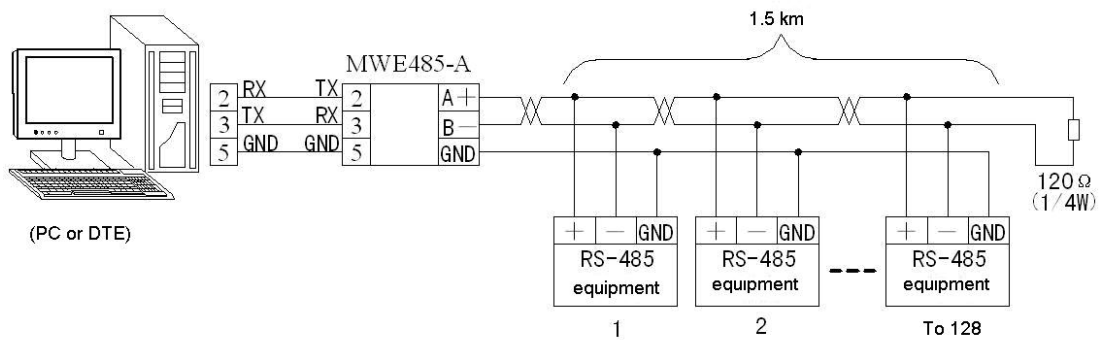


Chart 1 : Master-Slave and half duplex communication

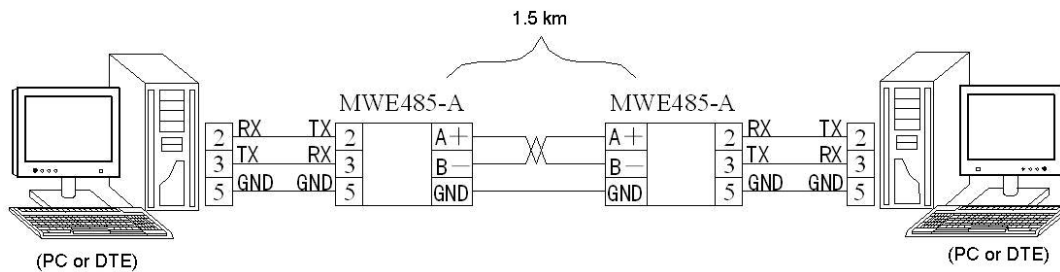


Chart 2 : Extend RS232 communication distance

Ordering Information

| Order Info | Data Interface | Transmission Rate | Isolation Protection | Power Supply |
|------------|----------------|--------------------|----------------------|---------------------|
| MWE485-A | RS232 to RS485 | 300bps ~ 115.2Kbps | Non-isolated | Serial port powered |