

# **PCI-1711U Series**

**Entry-level 100 kS/s, 12-bit,  
16-ch PCI Multifunction Card**

## **User Manual**

## **Copyright**

The documentation and the software included with this product are copyrighted 2009 by Advantech Co., Ltd. All rights are reserved. Advantech Co., Ltd. reserves the right to make improvements in the products described in this manual at any time without notice. No part of this manual may be reproduced, copied, translated or transmitted in any form or by any means without the prior written permission of Advantech Co., Ltd. Information provided in this manual is intended to be accurate and reliable. However, Advantech Co., Ltd. assumes no responsibility for its use, nor for any infringements of the rights of third parties, which may result from its use.

## **Acknowledgements**

Intel and Pentium are trademarks of Intel Corporation.

Microsoft Windows and MS-DOS are registered trademarks of Microsoft Corp.

All other product names or trademarks are properties of their respective owners.

This Manual Covers the Following Models

- PCI-1711U
- PCI-1711UL

Part No. 2003171100

1st Edition

Printed in Taiwan

June 2010

## **Product Warranty (2 years)**

Advantech warrants to you, the original purchaser, that each of its products will be free from defects in materials and workmanship for two years from the date of purchase.

This warranty does not apply to any products which have been repaired or altered by persons other than repair personnel authorized by Advantech, or which have been subject to misuse, abuse, accident or improper installation. Advantech assumes no liability under the terms of this warranty as a consequence of such events.

Because of Advantech's high quality-control standards and rigorous testing, most of our customers never need to use our repair service. If an Advantech product is defective, it will be repaired or replaced at no charge during the warranty period. For out-of-warranty repairs, you will be billed according to the cost of replacement materials, service time and freight. Please consult your dealer for more details.

If you think you have a defective product, follow these steps:

1. Collect all the information about the problem encountered. (For example, CPU speed, Advantech products used, other hardware and software used, etc.) Note anything abnormal and list any onscreen messages you get when the problem occurs.
2. Call your dealer and describe the problem. Please have your manual, product, and any helpful information readily available.
3. If your product is diagnosed as defective, obtain an RMA (return merchandize authorization) number from your dealer. This allows us to process your return more quickly.
4. Carefully pack the defective product, a fully-completed Repair and Replacement Order Card and a photocopy proof of purchase date (such as your sales receipt) in a shippable container. A product returned without proof of the purchase date is not eligible for warranty service.
5. Write the RMA number visibly on the outside of the package and ship it prepaid to your dealer.

## **CE**

This product has passed the CE test for environmental specifications when shielded cables are used for external wiring. We recommend the use of shielded cables. This kind of cable is available from Advantech. Please contact your local supplier for ordering information.

## **Technical Support and Assistance**

Step 1. Visit the Advantech web site at **[www.advantech.com/support](http://www.advantech.com/support)** where you can find the latest information about the product.

Step 2. Contact your distributor, sales representative, or Advantech's customer service center for technical support if you need additional assistance. Please have the following information ready before you call:

- Product name and serial number
- Description of your peripheral attachments
- Description of your software (operating system, version, application software, etc.)
- A complete description of the problem
- The exact wording of any error messages

## **Packing List**

Before setting up the system, check that the items listed below are included and in good condition. If any item does not accord with the table, please contact your dealer immediately.

- PCI-1711U/UL DA&C card
- PCI-1711U/UL User Manual
- Companion CD-ROM with DLL drivers

## **Safety Precaution - Static Electricity**

Follow these simple precautions to protect yourself from harm and the products from damage.

1. To avoid electrical shock, always disconnect the power from your PC chassis before you work on it. Don't touch any components on the CPU card or other cards while the PC is on.
2. Disconnect power before making any configuration changes. The sudden rush of power as you connect a jumper or install a card may damage sensitive electronic components.

# Contents

<b>Chapter 1</b>	<b>Introduction .....</b>	<b>2</b>
1.1	Features .....	3
1.2	Applications .....	4
1.3	Installation Guide .....	5
	Figure 1.1:Installation Flow Chart .....	6
1.4	Software Overview .....	7
1.5	Device Driver Programming Roadmap .....	7
1.6	Accessories.....	9
<b>Chapter 2</b>	<b>Installation .....</b>	<b>12</b>
2.1	Unpacking .....	12
2.2	Driver Installation .....	13
	Figure 2.1:Setup Screen of Advantech Automation Software 14	
	Figure 2.2:Different Options for Driver Setup .....	14
2.3	Hardware Installation .....	15
2.4	Device Setup & Configuration .....	16
	Figure 2.3:The Device Manager Dialog Box .....	16
	Figure 2.4:The Device Setting Dialog Box .....	17
	Figure 2.5:The Test Utility Dialog Box .....	17
<b>Chapter 3</b>	<b>Signal Connections .....</b>	<b>20</b>
3.1	Overview .....	20
3.2	Switch and Jumper Settings .....	20
	Figure 3.1:Connector and Switch Locations .....	20
	Table 3.1:Board ID Setting (SW1) .....	21
3.3	Signal Connections.....	22
	Figure 3.2:I/O Connector Pin Assignments for the PCI-1711U Series 22	
3.3.1	I/O Connector Signal Description .....	23
	Table 3.2:I/O Connector Signal Descriptions .....	23
3.3.2	Analog Input Connections .....	24
	Figure 3.3:Analog Output Connections .....	25
3.3.3	Digital Signal Connections .....	26
3.4	Field Wiring Considerations .....	27
<b>Appendix A</b>	<b>Specifications .....</b>	<b>30</b>
A.1	Analog Input.....	30
A.2	Analog Output .....	31
A.3	Digital Input .....	31
A.4	Digital Output.....	32
A.5	Counter/Timer .....	32
A.6	General .....	33
<b>Appendix B</b>	<b>Block Diagrams .....</b>	<b>36</b>
<b>Appendix C</b>	<b>Calibration .....</b>	<b>38</b>

C.1	VR Assignment .....	39
	Figure C.1:PCI-1711U VR Assignment .....	39
C.2	A/D Calibration .....	40
C.3	D/A Calibration (PCI-1711U).....	40

CHAPTER

**1**

# Introduction

# Chapter 1 Introduction

The PCI-1711U/UL is a universal PCI bus multifunction card. It offers the five most desired measurement and control functions:

- 12-bit A/D conversion
- D/A conversion (PCI-1711U only)
- Digital input
- Digital output
- Timer/counter

A programmable-gain instrument amplifier lets you acquire different input signals without external signal conditioning. An onboard 1K word FIFO buffer provides high-speed data transfer and predictable performance under Windows. Automatic channel scanning circuitry and onboard SRAM let you perform multiple-channel A/D conversion and individual gains for each channel.

The following sections of this chapter will provide further information about features of the multifunction cards, a Quick Start for installation, together with some brief information on software and accessories for the PCI-1711U cards.



## 1.1 Features

---

- 16 single-ended inputs
- 12-bit A/D converter, up to 100 kHz sampling rate
- Programmable gain for each input channel
- Automatic channel/gain scanning
- Onboard 1K word FIFO buffer with software selectable interrupt
- 16 digital inputs and 16 digital outputs, TTL compatible
- Two 12-bit analog output channels
- Onboard programmable counter
- Universal PCI-Bus (Support 3.3V or 5V PCI-Bus signal)
- BoardID switch

PCI-1711U/UL offers the following main features:

### **PCI-Bus Plug & Play**

The PCI-1711U cards use a PCI controller to interface the card to the PCI bus. The controller fully implements the PCI bus specification Rev 2.2. All configurations related to the bus, such as base address and interrupt assignment, are automatically controlled by software. No jumper or switch is required for user configuration.

### **Automatic Channel/Gain Scanning**

PCI-1711U/UL features an automatic channel/gain scanning circuit. This circuit, instead of your software, controls multiplexer switching during sampling. On-board SRAM stores different gain values for each channel. This combination lets user perform multi-channel high-speed sampling (up to 100 kHz) for each channel.

### **Onboard FIFO Memory**

There are 1K samples FIFO for A/D (AI) on PCI-1711U/UL. This is an important feature for faster data transfer and more predictable performance under Windows system.

## **Onboard Programmable Timer/Counter**

PCI-1711U/UL provides a programmable timer counter for generating pacer trigger for the A/D conversion. The timer/counter chip is 82C54, which includes three 16-bit counters of 10 MHz clock. One counter is used as an event counter for counting events coming from the input channel. The other two are cascaded together to make a 32-bit timer for pacer trigger time base.

## **BoardID Switch**

PCI-1711U/UL has a built-in DIP switch that helps define each card's ID when multiple PCI-1711U/UL cards have been installed on the same PC chassis. The BoardID setting function is very useful when building a system with multiple PCI-1711U cards. With the correct BoardID settings, you can easily identify and access each card during hardware configuration and software programming.

*Note: For detailed specifications of the PCI-1711U/UL, please refer to Appendix A.*

## **1.2 Applications**

---

- Transducer and sensor measurements
- Waveform acquisition and analysis
- Process control and monitoring
- Vibration and transient analysis

## 1.3 Installation Guide

---

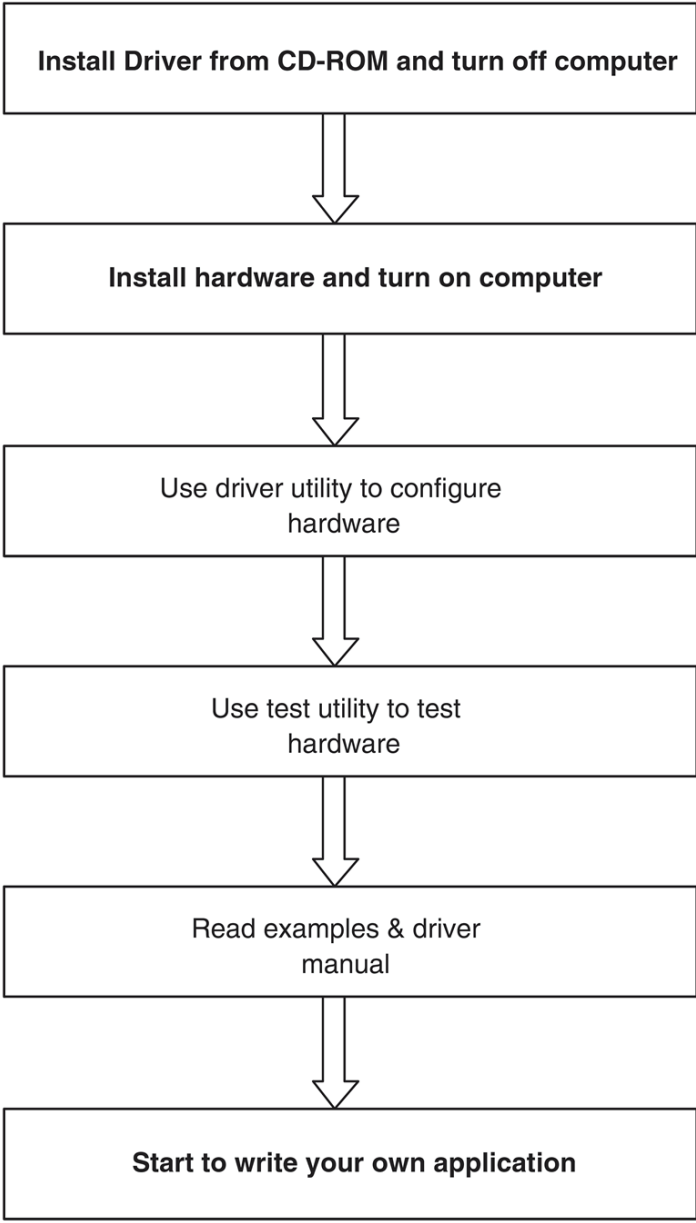
Before you install your PCI-1711U/UL card, please make sure you have the following necessary components:

- PCI-1711U/UL DA&C card
- PCI-1711U/UL User Manual
- Driver software Advantech DLL drivers (included in the companion CD-ROM)
- Personal computer or workstation with a PCI-bus slot (running Windows 2000/XP/7)
- PCL-10168 Wiring cable (optional)
- ADAM-3968, PCLD-8710 Wiring board (optional)

Other optional components are also available for enhanced operation:

- ActiveDAQ Pro, LabView or other 3rd-party software

After you get the necessary components and maybe some of the accessories for enhanced operation of your multifunction card, you can then begin the installation procedure. Figure 1.1 on the next page provides a concise flow chart to give users a broad picture of the software and hardware installation procedures:



*Figure 1.1: Installation Flow Chart*

## 1.4 Software Overview

---

Advantech offers a rich set of DLL drivers, third-party driver support and application software to help fully exploit the functions of your PCI-1711U/UL card:

- Device Drivers (on the companion CD-ROM)
- LabVIEW driver
- Advantech ActiveDAQ Pro
- WaveScan

### Programming choices for DA&C cards

You may use Advantech application software such as Advantech Device Drivers. On the other hand, advanced users can use register-level programming, although this is not recommended due to its laborious and time-consuming nature.

### Device Drivers

Advantech Device Driver software is included on the companion CD-ROM at no extra charge. It also comes with all Advantech DA&C cards. Advantech's Device Drivers features a complete I/O function library to help boost your application performance. Advantech Device Drivers for Windows 2000/XP/7 works seamlessly with development tools such as Visual Studio .Net, Visual C++, Visual Basic, Borland C++ Builder and Borland Delphi.

## 1.5 Device Driver Programming Roadmap

---

This section will provide you a roadmap to demonstrate how to build an application from scratch using Advantech Device Drivers with your favorite development tools such as Visual Studio .Net, Visual C++, Visual Basic, Delphi and C++ Builder. The step-by-step instructions on how to build your own applications using each development tool will be given in the *Device Drivers Manual*. Moreover, a rich set of example source code is also given for your reference.

## Programming Tools

Programmers can develop application programs with their favorite development tools:

- Visual Studio .Net
- Visual C++ and Visual Basic
- Delphi
- C++ Builder

For instructions on how to begin programming works in each development tool, Advantech offers a *Tutorial* Chapter in the *Device Drivers Manual* for your reference. Please refer to the corresponding sections in this chapter on the *Device Drivers Manual* to begin your programming efforts. You can also look at the example source code provided for each programming tool, since they can get you very well oriented.

The *Device Drivers Manual* can be found on the companion CD-ROM. Alternatively, if you have already installed the Device Drivers on your system, The *Device Drivers Manual* can be readily accessed through the Start button:

***Start/Programs/Advantech Automation/Device Manager/  
Device Drivers Manual***

The example source code could be found under the corresponding installation folder such as the default installation path:

***\Program Files\Advantech\ADSAPI\Examples***

For information about using other function groups or other development tools, please refer to the *Creating Windows 2000/XP/7 Application with Device Drivers* chapter and the *Function Overview* chapter on the *Device Drivers Manual*.

## Programming with Device Drivers Function Library

Advantech Device Drivers offer a rich function library that can be utilized in various application programs. This function library consists of numerous APIs that support many development tools, such as Visual Studio .Net, Visual C++, Visual Basic, Delphi and C++ Builder.

According to their specific functions or services, APIs can be categorized into several function groups:

- Analog Input Function Group
- Analog Output Function Group
- Digital Input/Output Function Group
- Counter Function Group
- Port Function Group (direct I/O)
- Event Function Group

For the usage and parameters of each function, please refer to the *Function Overview* chapter in the *Device Drivers Manual*.

### **Troubleshooting Device Drivers Error**

Driver functions will return a status code when they are called to perform a certain task for the application. When a function returns a code that is not zero, it means the function has failed to perform its designated function. To troubleshoot the Device Drivers error, you can pass the error code to `DRV_GetErrorMessage` function to return the error message. Alternatively, you can refer to the *Device Drivers Error Codes* Appendix in the *Device Drivers Manual* for a detailed listing of Error Codes, Error IDs and Error Messages.

## **1.6 Accessories**

---

Advantech offers a complete set of accessory products to support the PCI-1711U/UL card. These accessories include:

### **Wiring Cables**

#### **PCL-10168**

The PCL-10168 cable is a 68-pin SCSI shielded cable for PCI-1711U/UL cards.

### **Wiring Boards**

- **ADAM-3968**     68-pin DIN-rail SCSI Wiring Board
- **PCLD-8710**     DIN-rail Wiring Board w/ CJC





CHAPTER  
**2**

**Installation**

# Chapter 2 Installation

## 2.1 Unpacking

---

After receiving your PCI-1711U/UL package, please inspect its contents first. The package should contain the following items:

- PCI-1711U or PCI-1711UL card
- Companion CD-ROM (Device Drivers included)
- User Manual

The PCI-1711U cards harbor certain electronic components vulnerable to *electrostatic discharge* (ESD). ESD can easily damage the integrated circuits and certain components if preventive measures are ignored.

Before removing the card from the antistatic plastic bag, you should take the following precautions to ward off possible ESD damage:

- Touch the metal part of your computer chassis with your hand to discharge the static electricity accumulated on your body. Alternatively, one can also use a grounding strap.
- Touch the anti-static bag to a metal part of your computer chassis before opening the bag.
- Take hold of the card only by the metal bracket when removing it out of the bag.

After taking out the card, you should first:

- Inspect the card for any possible signs of external damage (loose or damaged components, etc.). If the card is visibly damaged, please notify our service department or our local sales representative immediately. Do not install a damaged card into your system.

Also, pay extra caution to the following aspects during installation:

- Avoid physical contact with materials that could hold static electricity such as plastic, vinyl and Styrofoam.
- Whenever you handle the card, grasp it only by its edges. **DO NOT TOUCH** the exposed metal pins of the connector or the electronic components.

*Note: Keep the anti-static bag for future use. You might need the original bag to store the card if you have to remove the card from a PC or transport it elsewhere.*

## **2.2 Driver Installation**

---

We recommend you install the driver before you install PCI-1711U/UL card into your system, since this will guarantee a smooth installation process.

The Advantech Device Drivers Setup program for the PCI-1711U/UL card is included in the companion CD-ROM that is shipped with your DA&C card package. Please follow the steps below to install the driver software:

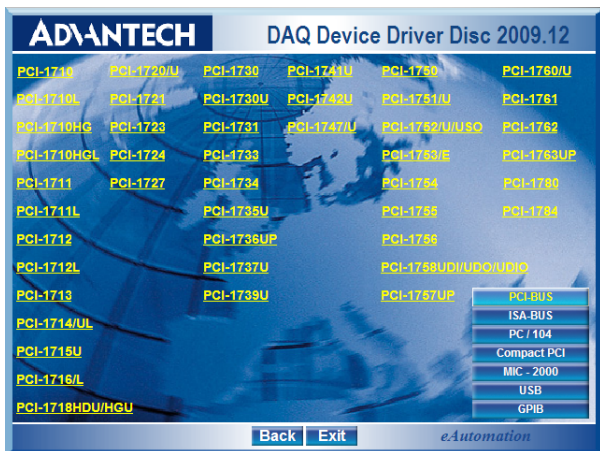
1. Insert the companion CD-ROM into your CD-ROM drive.
2. The Setup program will be launched automatically if you have the autoplay function enabled on your system. When the Setup Program is launched, you will see the following Setup Screen.

*Note: If the autoplay function is not enabled on your computer, use Windows Explorer or Windows Run command to execute autorun.exe on the companion CD-ROM.*



**Figure 2.1: Setup Screen of Advantech Automation Software**

3. Select the Device Manager option to install.
4. Select the *Individual Driver* option.
5. Select the specific device then follow the installation instructions step by step to complete your device driver installation and setup.



**Figure 2.2: Different Options for Driver Setup**

For further information on driver-related issues, an online version of the *Device Drivers Manual* is available by accessing the following path:

*Start/Programs/Advantech Automation/Device Manager/Device Drivers Manual*

## 2.3 Hardware Installation

---

*Note: Make sure you have installed the driver before you install the card (please refer to chapter 2.2 Driver Installation)*

After the Device Drivers installation is completed you can install the PCI-1711U/UL card into any PCI slot on your computer. However, it is suggested that you refer to the computer's user manual or related documentation if you have any doubts. Please follow the steps below to install the card onto your system.

1. Turn off your computer and unplug the power cord and cables. TURN OFF your computer before installing or removing any components on the computer.
2. Remove the cover of your computer.
3. Remove the slot cover on the back panel of your computer.
4. Touch the metal part on the surface of your computer to neutralize the static electricity that might be on your body.
5. Insert the PCI-1711U/UL card into a PCI slot. Hold the card only by its edges and carefully align it with the slot. Insert the card firmly into place. Use of excessive force must be avoided; otherwise, the card might be damaged.
6. Fasten the bracket of the PCI card on the back panel rail of the computer with screws.
7. Connect appropriate accessories (68-pin cable, wiring terminals, etc. if necessary) to the PCI card.
8. Replace the cover of your computer chassis. Re-connect the cables you removed in step 2.
9. Plug in the power cord and turn on the computer.

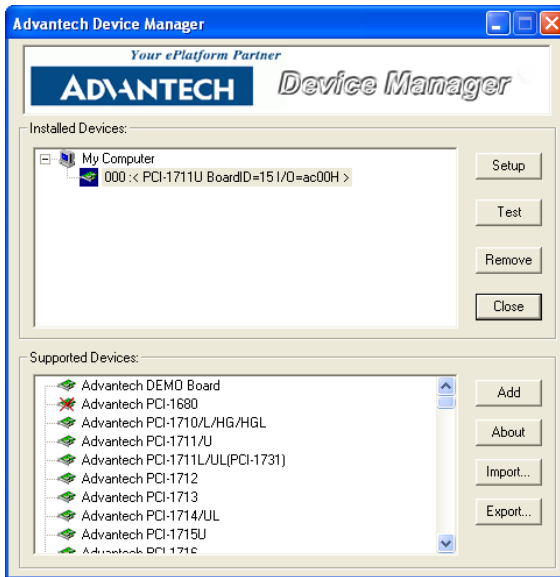
After your card is properly installed on your system, you can now configure your device using the *Advantech Device Manager* Program that has itself already been installed on your system during driver setup. A complete device installation procedure should include *device setup, configuration* and *testing*. The following sections will guide you through the Setup, Configuration and Testing of your device.

## 2.4 Device Setup & Configuration

The *Advantech Device Manager* program is a utility that allows you to set up, configure and test your device, and later stores your settings on the system registry. These settings will be used when you call the APIs of Advantech Device Drivers.

### Setting Up the Device

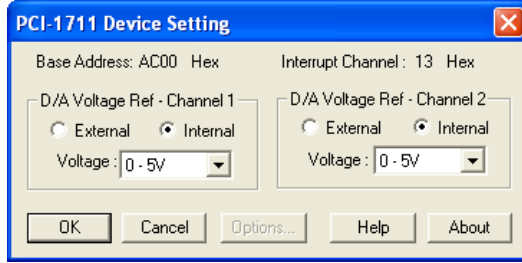
1. To install the I/O device for your card, you must first run the *Device Manager* program (by accessing *Start/Programs/Advantech Automation/Device Manager/Advantech Device Manager* ).
2. You can then view the device(s) already installed on your system (if any) on the *Installed Devices* list box. If the software and hardware installation are completed, you will see PCI-1711U/UL card in the Installed Devices list.



**Figure 2.3: The Device Manager Dialog Box**

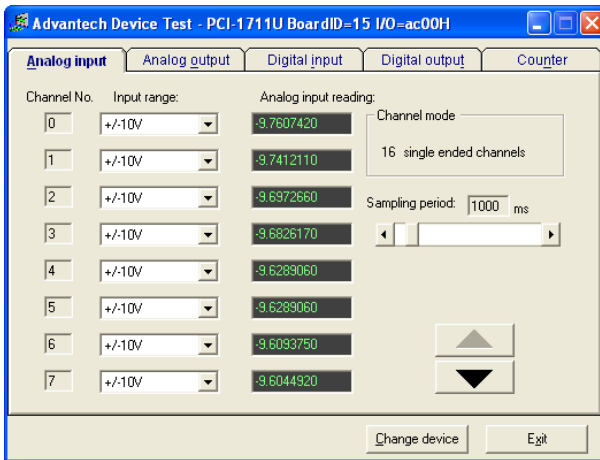
### Configuring the Device

3. Please click the Setup button to configure your device. On the *Device Setting* dialog box (Fig. 2-4), you can specify the D/A voltage reference either as *External* or *Internal* and specify the voltage output range for the two D/A channels.



**Figure 2.4: The Device Setting Dialog Box**

4. After your card is properly installed and configured, you can click the *Test...* button to test your hardware by using the testing utility supplied.



**Figure 2.5: The Test Utility Dialog Box**

For more detailed information, please refer to *Chapter 2* of the *Device Drivers Manual*. You can also find rich examples on the CD-ROM to speed up your programming.





CHAPTER  
**3**

## **Signal Connections**

# Chapter 3 Signal Connections

## 3.1 Overview

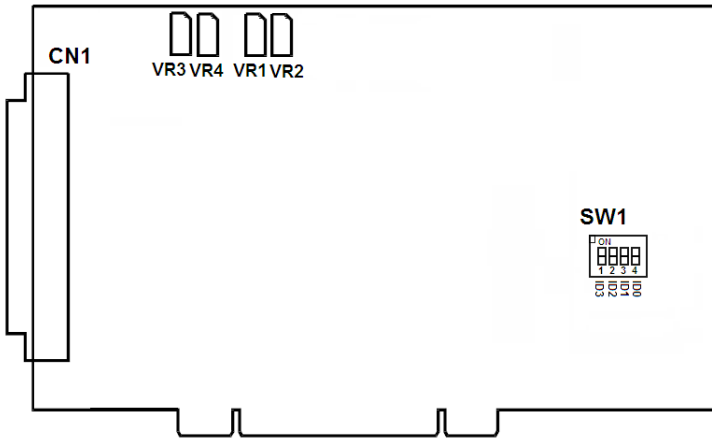
---

Maintaining signal connections is one of the most important factors in ensuring that your application system is sending and receiving data correctly. A good signal connection can avoid unnecessary and costly damage to your PC and other hardware devices. This chapter provides useful information about how to connect input and output signals to the PCI-1711U cards via the I/O connector.

## 3.2 Switch and Jumper Settings

---

PCI-1711U cards have one switch for BoardID setting.



*Figure 3.1: Connector and Switch Locations*

BoardID settings are used to set a board's unique identifier when multiple identical cards are installed in the same system.

PCI-1711U cards have a built-in DIP switch (SW1), which is used to define each card's unique identifier. You can determine the unique identifier in the register as shown in Table 3.1. If there are multiple identical cards in the same chassis, the BoardID switch helps differentiate the boards by identifying each card's device number with the switch setting. The BoardID switch's unique identifier has been set to 0 at the factory.

If you need to adjust it to other numbers, set SW1 by referring to DIP switch settings below.

**Table 3.1: Board ID Setting (SW1)**

<b>SW1</b>	<b>Position 1</b>	<b>Position 2</b>	<b>Position 3</b>	<b>Position 4</b>
<b>BoardID</b>	<b>ID3</b>	<b>ID2</b>	<b>ID1</b>	<b>ID0</b>
<b>0</b>	ON	ON	ON	ON
<b>1</b>	ON	ON	ON	OFF
<b>2</b>	ON	ON	OFF	ON
<b>3</b>	ON	ON	OFF	OFF
<b>4</b>	ON	OFF	ON	ON
<b>5</b>	ON	OFF	ON	OFF
<b>6</b>	ON	OFF	OFF	ON
<b>7</b>	ON	OFF	OFF	OFF
<b>8</b>	OFF	ON	ON	ON
<b>9</b>	OFF	ON	ON	OFF
<b>10</b>	OFF	ON	OFF	ON
<b>11</b>	OFF	ON	OFF	OFF
<b>12</b>	OFF	OFF	ON	ON
<b>13</b>	OFF	OFF	ON	OFF
<b>14</b>	OFF	OFF	OFF	ON
<b>15</b>	OFF	OFF	OFF	OFF

Default Setting is 0

### 3.3 Signal Connections

#### Pin Assignment

Figure 3-2 shows the pin assignments for the 68-pin I/O connector on the PCI-1711U/UL.

A10	68	34	A11
A12	67	33	A13
A14	66	32	A15
A16	65	31	A17
A18	64	30	A19
A110	63	29	A111
A112	62	28	A113
A114	61	27	A115
AIGND	60	26	AIGND
*DA0_REF	59	25	DA1_REF*
*DA0_OUT	58	24	DA1_OUT*
*A0GND	57	23	A0GND*
DI0	56	22	DI1
DI2	55	21	DI3
DI4	54	20	DI5
DI6	53	19	DI7
DI8	52	18	DI9
DI10	51	17	DI11
DI12	50	16	DI13
DI14	49	15	DI15
DGND	48	14	DGND
DO0	47	13	DO1
DO2	46	12	DO3
DO4	45	11	DO5
DO6	44	10	DO7
DO8	43	9	DO9
DO10	42	8	DO11
DO12	41	7	DO13
DO14	40	6	DO15
DGND	39	5	DGND
CNT0_CLK	38	4	PACER_OUT
CNT0_OUT	37	3	TRG_GATE
CNT0_GATE	36	2	EXT_TRG
+12V	35	1	+5V

**Figure 3.2: I/O Connector Pin Assignments for the PCI-1711U Series**

\*Note: Pins 23~25 and pins 57~59 are not defined for PCI-1711UL

### 3.3.1 I/O Connector Signal Description

**Table 3.2: I/O Connector Signal Descriptions**

Signal Name	Reference	Direction	Description
AI<0...15>	AIGND	Input	Analog Input Channels 0 through 15. Each channel pair, AI<i, i+1> (i = 0, 2, 4...14), can be configured as either two single-ended inputs or one differential input.
AIGND	-	-	Analog Input Ground. The three ground references (AIGND, AOGND, and DGND) are connected together on the PCI-1711U/UL.
AO0_REF AO1_REF	AOGND	Input	Analog Output Channel 0/1 External Reference.
AO0_OUT AO1_OUT	AOGND	Output	Analog Output Channels 0/1.
AOGND	-	-	Analog Output Ground. The three ground references (AIGND, AOGND, and DGND) are connected together on the PCI-1711U/UL.
DI<0..15>	DGND	Input	Digital Input Channels 0 through 15.
DO<0..15>	DGND	Output	Digital Output Channels 0 through 15.
DGND	-	-	Digital Ground. This pin supplies the reference for the digital channels at the I/O connector as well as the +5V <sub>DC</sub> and +12 V <sub>DC</sub> supply. The three ground references (AIGND, AOGND, and DGND) are connected together on the PCI-1711U/UL card.
CNT0_CLK	DGND	Input	Counter 0 Clock Input. Max. Input Frequency: 10MHz
CNT0_OUT	DGND	Output	Counter 0 Output.
CNT0_GATE	DGND	Input	Counter 0 Gate Control.
PACER_OUT	DGND	Output	Pacer Clock Output. This pin pulses once for each pacer clock when turned on. If A/D conversion is in the pacer trigger mode, users can use this signal as a synchronous signal for other applications. A low-to-high edge triggers A/D conversion to start.

**Table 3.2: I/O Connector Signal Descriptions**

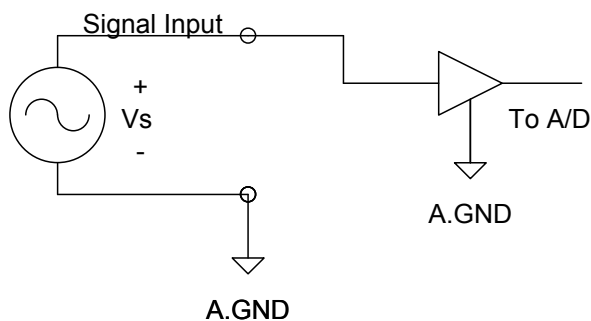
TRG_GATE	DGND	Input	A/D External Trigger Gate. When TRG_GATE is connected to +5 V, it will enable the external trigger signal to input. When TRG_GATE is connected to DGND, it will disable the external trigger signal to input.
EXT_TRG	DGND	Input	A/D External Trigger. This pin is external trigger signal input for the A/D conversion. A low -to-high edge triggers A/D conversion to start.
+12V	DGND	Output	+12 V <sub>DC</sub> Source.
+5V	DGND	Output	+5 V <sub>DC</sub> Source.

### 3.3.2 Analog Input Connections

PCI-1711U/UL supports 16 single-ended analog inputs.

#### Single-ended Channel Connections

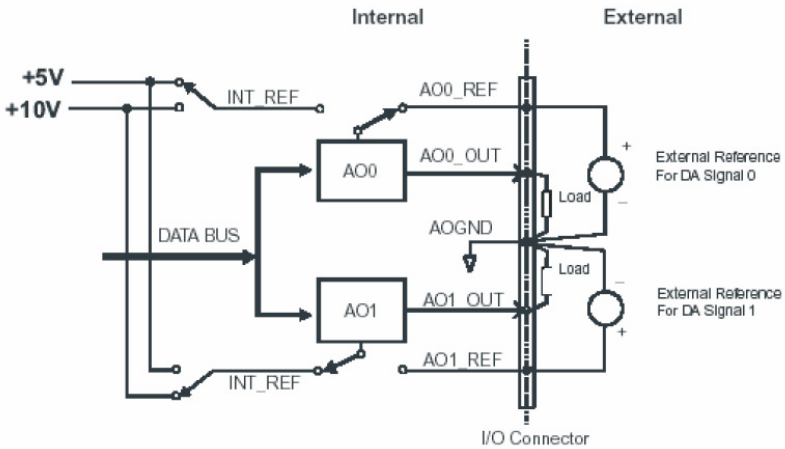
Single-ended connections use only one signal wire per channel. The voltage on the line references to the common ground on the card. A signal source without a local ground is called a "floating" source. It is fairly simple to connect a single ended channel to a floating signal source. A standard wiring diagram looks like this:



### Analog Output Connection

The PCI-1711U/UL provides two D/A output channels. You can use the internal precision -5 V or -10 V reference to generate 0 to +5 V or 0 to +10 V D/A output. Use an external reference for other D/A output ranges. The maximum reference input voltage is  $\pm 10$  V and maximum output scaling is  $\pm 10$  V. Loading current for D/A outputs should not exceed 5 mA.

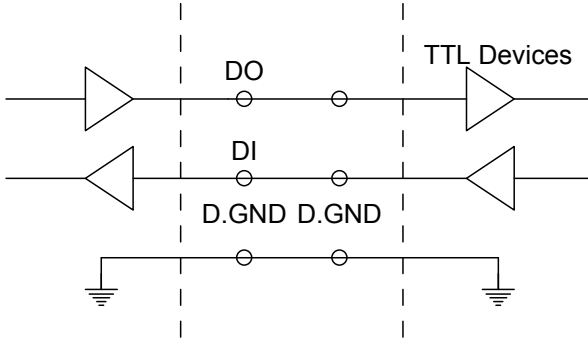
Fig. 3-3 shows how to make analog output and external reference input connections on the PCI-1711U/UL.



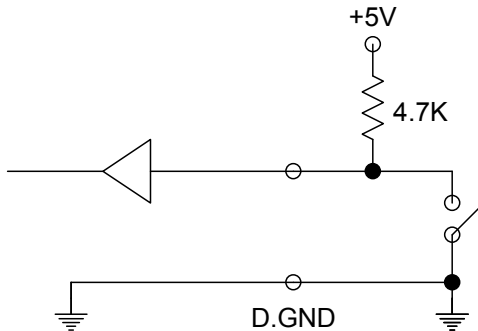
**Figure 3.3: Analog Output Connections**

### 3.3.3 Digital Signal Connections

The PCI-1711U/UL has 16 digital input and 16 digital output channels. The digital I/O levels are TTL compatible. The following figure shows connections to exchange digital signals with other TTL devices:



To receive an OPEN/SHORT signal from a switch or relay, add a pull-up resistor to ensure that the input is held at a high level when the contacts are open.





## 3.4 Field Wiring Considerations

---

When you use PCI-1711U cards to acquire data from outside, noises in the environment might significantly affect the accuracy of your measurements if due cautions are not taken. The following measures will be helpful to reduce possible interference running signal wires between signal sources and the PCI-1711U card.

- The signal cables must be kept away from strong electromagnetic sources such as power lines, large electric motors, circuit breakers or welding machines, since they may cause strong electromagnetic interference. Keep the analog signal cables away from any video monitor, since it can significantly affect a data acquisition system.
- If the cable travels through an area with significant electromagnetic interference, you should adopt individually shielded, twisted-pair wires as the analog input cable. This type of cable has its signal wires twisted together and shielded with a metal mesh. The metal mesh should only be connected to one point at the signal source ground.
- Avoid running the signal cables through any conduit that might have power lines in it.
- If you have to place your signal cable parallel to a power line that has a high voltage or high current running through it, try to keep a safe distance between them. Alternatively, you can place the signal cable at a right angle to the power line to minimize the undesirable effect.
- The signals transmitted on the cable will be directly affected by the quality of the cable. In order to ensure better signal quality, we recommend that you use the PCL-10168 shielded cable.



APPENDIX  
**A**

**Specifications**

# Appendix A Specifications

## A.1 Analog Input

Channels	16 single-ended					
Resolution	12-bit					
FIFO Size	1k samples					
Max. Sampling Rate	100 kS/s					
Conversion Time	10 $\mu$ s					
Input Range and Gain List	Gain	1	2	4	8	16
	Input	$\pm 10$ V	$\pm 5$ V	$\pm 2.5$ V	$\pm 1.25$ V	$\pm 0.625$ V
Drift	Gain	1	2	4	8	16
	Zero	15 ppm/ $^{\circ}$ C				
	Span	40 ppm/ $^{\circ}$ C				
Small Signal BW for PGA	Gain	1	2	4	8	16
	Bandwidth	2.8 MHz	2 MHz	1.5 MHz	0.65 MHz	0.35 MHz
Max. Input Overvoltage	$\pm 15$ V					
Input Protection	30 Vp-p					
Input Impedance	300 M $\Omega$ /5pF					
Trigger Mode	Software, on-board programmable pacer or external					
Accuracy	DC	INLE: $\pm 0.5$ LSB				
		Monotonicity: 12 bits				
		Offset error: Adjustable to zero				
		Gain error: 0.005% FSR (Gain=1)				
	AC	SNR: 68 dB				
ENOB: 11 bits						

## A.2 Analog Output

---

<b>Channels</b>	2 (PCI-1711U only)	
<b>Resolution</b>	12-bit	
<b>Output Range</b>	Using Internal Reference	0 ~ +5V @ -5V 0 ~ +10V @ -10V
	Using External Reference	0 ~ +xV @ -xV ( $-10 \leq x \leq 10$ )
<b>Accuracy</b>	Relative	$\pm 0.5$ LSB
	Differential Non-linearity	$\pm 0.5$ LSB (monotonic)
<b>Gain Error</b>	Adjustable to zero	
<b>Slew Rate</b>	10 V/ $\mu$ s	
<b>Drift</b>	40 ppm / °C	
<b>Driving Capability</b>	3 mA	
<b>Update Rate</b>	Static update	
<b>Output Impedance</b>	6.8 ohm max.	
<b>Setting Time</b>	26 $\mu$ s (to $\pm 1/2$ LSB of FSR)	

## A.3 Digital Input

---

<b>Input Channels</b>	16	
<b>Input Voltage</b>	Low	0.8V max.
	High	2V min.
<b>Input Load</b>	10 k $\Omega$ pull-high resistor connect to 5 V	

## A.4 Digital Output

---

<b>Output Channels</b>	16	
<b>Output Voltage</b>	Low	0.8 V max.@ +8.0mA (sink)
	High	2 V min.@ -0.4mA(source)

## A.5 Counter/Timer

---

<b>Counter chip</b>	82C54 or equivalent	
<b>Channels</b>	3 channels, 2 channels are permanently configured as programmable pacers; 1 channel is free for user application	
<b>Resolution</b>	16-bit	
<b>Compatibility</b>	TTL level	
<b>Base Clock</b>	Channel 1: 10 MHz Channel 2: Takes input from output of channel 1 Channel 0: Internal 1 MHz or external clock (10 MHz max.) selected by software	
<b>Max. Input Frequency</b>	10 MHz	
<b>Clock Input</b>	Low	0.8 V max.
	High	2.0 V min.
<b>Gate Input</b>	Low	0.8 V max.
	High	2.0 V min.
<b>Counter Output</b>	Low	0.5 V max.@+24 mA
	High	2.4 V min.@-15 mA

## A.6 General

---

<b>I/O Connector Type</b>	68-pin SCSI female	
<b>Dimensions</b>	175 x 100 mm (6.9" x 3.9")	
<b>Power Consumption</b>	<b>Typical</b>	+5 V @ 850 mA
	<b>Max.</b>	+5 V @ 1 A
<b>Temperature</b>	<b>Operating</b>	0~60° C (32~140° F) (refer to IEC 68-2-1,2)
	<b>Storage</b>	-20~ 70° C (-4~158° F)
<b>Relative Humidity</b>	<b>Operating</b>	5~85%RH non-condensing (refer to IEC 68-1,-2,-3)
	<b>Storage</b>	5~95%RH non-condensing (refer to IEC 68-1,-2,-3)
<b>Certifications</b>	CE certified	



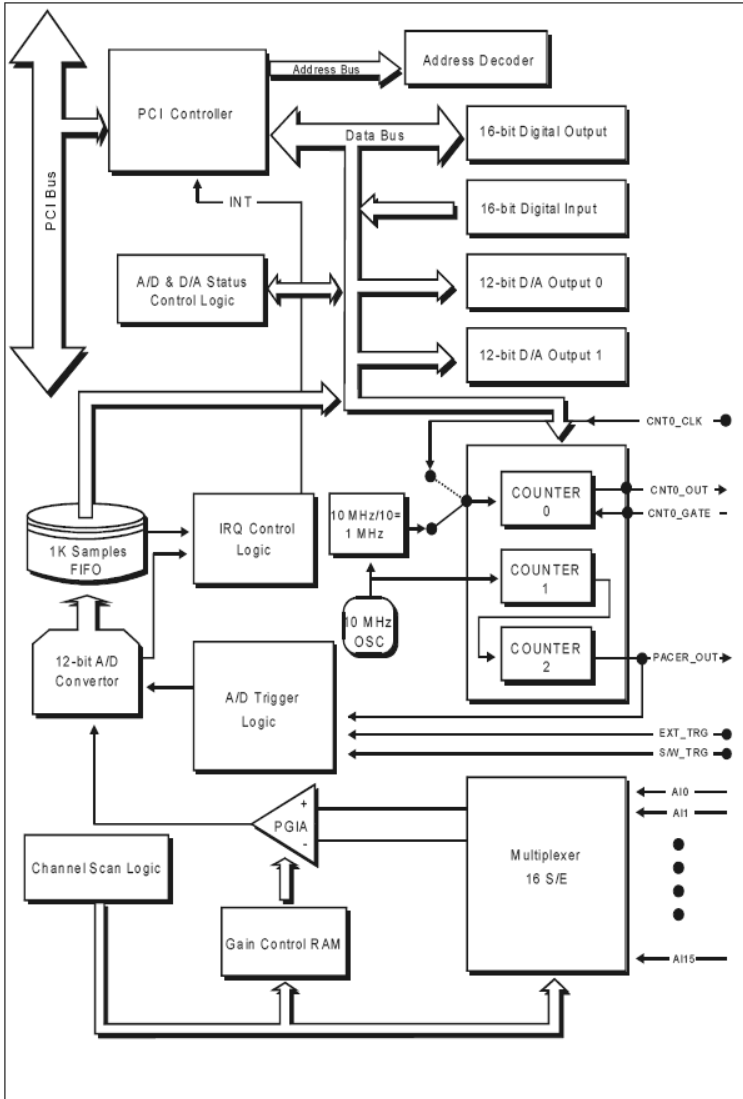


APPENDIX

# B

## Block Diagrams

# Appendix B Block Diagrams



APPENDIX

C

## Calibration

# Appendix C Calibration

PCI-1711U cards are calibrated at the factory for initial use. However, a recalibration of the analog input and the analog output function is recommended:

1. Every six months.
2. Everytime the analog output range is changed.

We provide the Advantech Device Manager on the companion CD-ROM to assist you with D/A and A/D calibration. The Advantech Device Manager makes calibration easy. With a variety of prompts and graphic displays, these programs will lead you through the calibration and setup procedures, showing you all the correct settings and adjustments.

*Note: If you installed the program to another directory, you can find these programs in the corresponding subfolders in your destination directory.*

To perform a satisfactory calibration, you will need a 4½-digit digital multi-meter and a voltage calibrator or a stable, noise-free DC voltage source.

*Note: Before you calibrate the D/A function, you must turn on the power at least 15 minutes to make sure the DA&C card is already stable.*

The Advantech Device Manager can be accessed through the Start button:

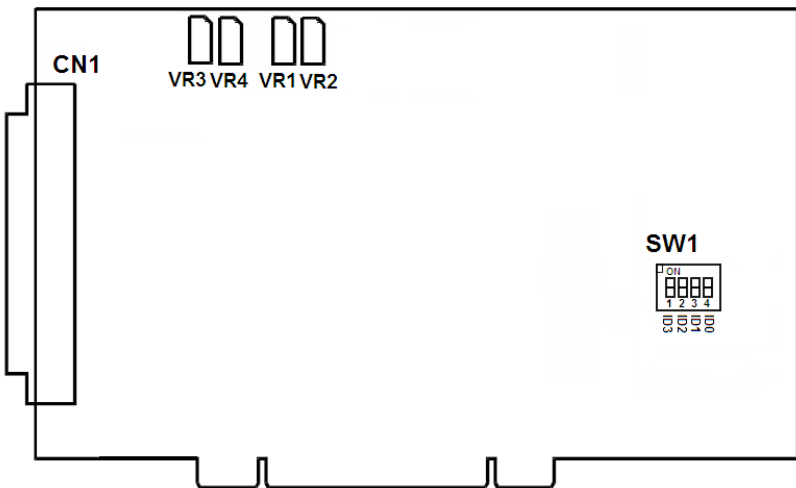
***Start/Programs/Advantech Automation/Device Manager/Advantech Device Manager/***

## C.1 VR Assignment

---

The five variable resistors (VRs) on the PCI-1711U/UL board help you make accurate adjustment on all A/D and D/A channels. See the figure in Appendix C for help finding the VRs. The following list shows the function of each VR:

VR	Function
VR1	A/D bipolar offset
VR2	A/D full scale
VR3	D/A0 full scale
VR4	D/A1 full scale



*Figure C.1: PCI-1711U VR Assignment*

## C.2 A/D Calibration

---

*Note: Using a precision voltmeter to calibrate the A/D outputs is recommended.*

Regular and accurate calibration ensures maximum possible accuracy. The A/D calibration tool in the Advantech Device Manager leads you through the whole A/D offset and gain adjustment procedure. The basic steps are outlined below:

1. Connect a DC voltage source of +9.995 V to AI0.
2. Connect AGND to AI1, AI2, AI3, AI4 and AI5.
3. Run the ADCAL.EXE program.
4. Adjust VR2 until the output codes from the card's AI0 are focused on FFE (at least 70%), and adjust VR1 until the output codes from the card's AI1, AI2, AI3, AI4 and AI5 are focused on 7FF (at least 70%).
5. Press the SPACE key to finish A/D calibration.

## C.3 D/A Calibration (PCI-1711U)

---

*Note: Using a precision voltmeter to calibrate the D/A outputs is recommended.*

In a way similar to the A/D Calibration, the D/A calibration tool in the Advantech Device Manager leads you through the whole D/A calibration procedure.

1. Measure the DA0 output with a 4 1/2-digit digital meter. Adjust the VR3 until the output value equals 4.9988V.
2. Measure the DA1 output with a 4 1/2-digit digital meter. Adjust the VR4 until the output value equals 4.9988V.
3. The D/A calibration is finished.