

ACE-716A/AP

150 W 1U Type AT Power Supply



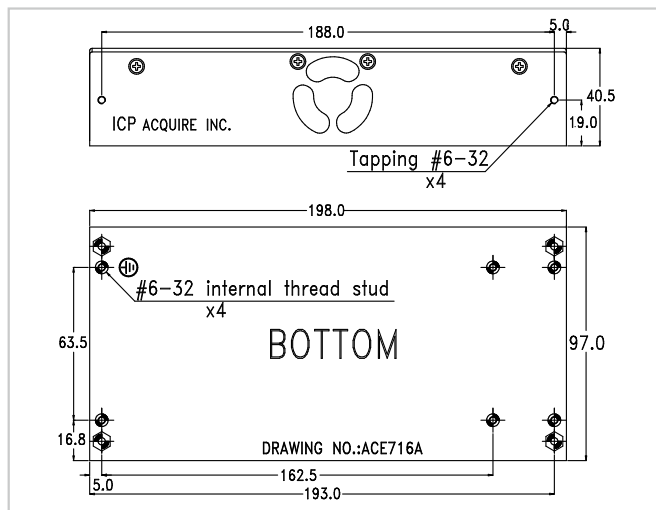
Specifications

Input Type	85 ~ 135 VAC, 180 ~ 265 VAC Auto Range (ACE-716A) 85 ~ 265 VAC Full Range (ACE-716AP)			
Output Voltage	+5V 18 A (1 A min.)	+12V 4 A	-5V 0.5 A	-12V 1 A
Efficiency	75%			
Temperature	Operating: -20°C ~ 70°C (50°C ~ 70°C derating curve) Storage: -20°C ~ 85°C			
MTBF (hrs)	149,000			
Output Connector	Optional cable			
Dimensions (mm)	198 x 97 x 40.5			

Ordering Information

Part No.	Description
ACE-716A-RS	150W AC-DC AT Power Supply
ACE-716AP-RS	150W AC-DC AT Power Supply, with PFC

Dimensions (Unit: mm)



Option 1 Embedded Solution



PN: CB-716EB-RS
30 cm DC cable to CPU card with 4-pin 12 V CPU, HDD and SATA connectors

Option 2 AT P8P9 Backplane Solution



PN: CB-716P8P9-RS
30 cm DC cable AT power to P8P9 with HDD and SATA connectors

1U DC Input ATX Type

ACE-717CX

1U 24V DC Input ATX Power Supply



Specifications

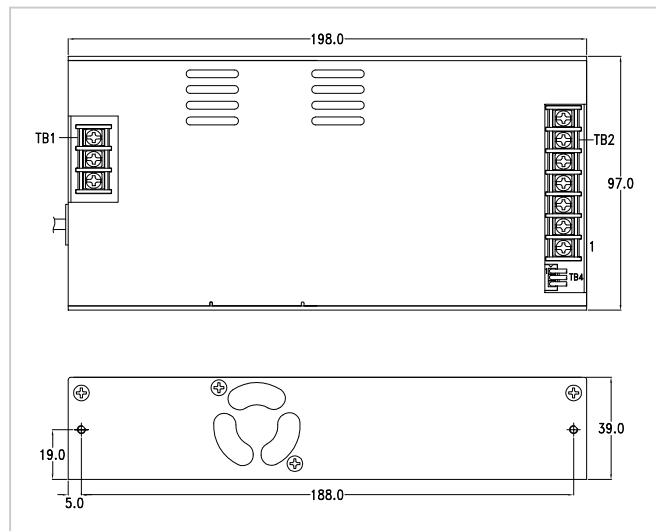
Input Type	19 ~ -32 VDC					
Output Voltage	+3.3V 6 A	+5V 8 A (1 A min.)	+12V 8 A (1 A min.)	-5V 0.5 A	-12V 0.5 A	+5Vsb 1 A
Efficiency	75%					
Temperature	Operating: 0°C ~ 70°C (can be started up at -20°C) Storage: -40°C ~ 75°C					
MTBF (hrs)	100,000					
Output Connector	5VSB & PS_ON cable					
Dimensions (mm)	198 x 97 x 39					

Option 1 ATX Backplane Solution



PN: CB-717BP-RS
30 cm DC cable for ACE-715VX/717CX power to backplane, with 20-pin ATX, HDD and SATA connector

Dimensions (Unit: mm)



Ordering Information

Part No.	Description
ACE-717CX-RS	170W 24V DC input ATX Power Supply