

EBC-3200

Embedded Chassis for IEI Single Voltage Mini-ITX SBC



Features

- ◆ Designs for Mini-ITX SBC with single voltage input
- ◆ Flexible storage with CF or 2.5" HDD (optional)
- ◆ One PCI or PCIe expansion slot (optional)

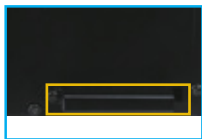


Flexible design with five optional modules for storage and expansion slot



Flexible storage by optional modules

2 x internal 2.5" HDD (Default)



1 x Internal 2.5" HDD
1 x CF slot



1 x Expansion slot (PCI/PCle)
1 x Internal 2.5" HDD



1 x Expansion slot (PCI/PCle)
1 x CF slot

Specifications

Model Name	EBC-3200
SBC Form Factor	Mini-ITX (Single Voltage input)
Cooling Fan	2 x 4cm 2 x 2.5" HDD (Default) or support by optional module
Storage	Power, HDD LED
Indicators	Power switch, reset
Buttons	1 x Low Profile PCI/PCle (support by optional modules) Max Dimensions: 147mm (L) x 10.5mm (D)
Expansions	Black
Color	260 x 180 x 55
Dimensions (WxDxH) (mm)	1.1KG/2KG
Weight (Net/Gross)	-10°C ~ 50°C with air flow*
Operating Temperature	Desktop, wall mount, VESA mount
Mounting	

(*Ambient air speed pre IEC-68-2-2 standard)

Compatible SBC

Part No.	Expansion Type	Recomand CPU cooler
KINO-DQM871	PCIe x16	CF-989A-RS-R12
KINO-QM770	PCIe x16	CF-989A-RS-R12
KINO-CV/D25501/N26001	PCI	Fanless
KINO-QM670	PCIe x16	CF-989A-RS-R12
KINO-QM57A	PCIe x16	CF-989A-RS-R12
KINO-HM551	PCIe x16	CF-989A-RS-R11
KINO-PVN-D5251	PCI or PCIe x1	19FFD124010HB2A7-000001-RS
KINO-PV-D4252/D5252	PCI or PCIe x1	19FFD124010HB2A7-000001-RS

Ordering information

Part No.	Description
EBC-3200-R10	Mini-ITX embedded chassis, compatible two 2.5" HDD, w/o power adapter, Black, RoHS
63000-FSP060DBAB1554-RS	Power Adapter, FSP060-DBAB1554, VAC:90 V~264 V, 12 V/5 A, 60W, DIN 4 PIN/WITH LOCK, 1800MM, FSP, RoHS
32000-000002-RS	European standard power cord, 1830mm
32000-000025-RS	American standard power cord, 1830mm
19FR124010BL-000003-RS	Fan Module, L=200MM, 4cm, 3 pin, CCL, RoHS

www.ipc2u.ru

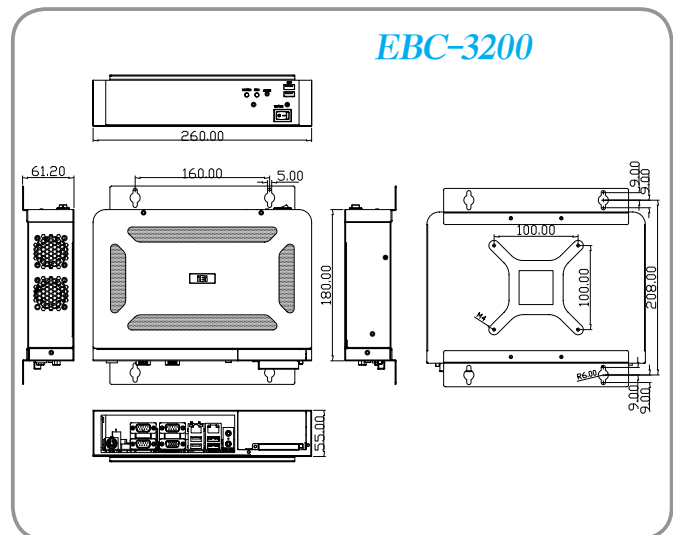
www.ipc2u.de

www.sovio.com

Date:01.06.2016

Optional Module	
Part No.	Description
EBCKIT-01-R10/PCI-HDD	EBC-3200 optional module with 1 x PCI slot and 1 x 2.5" HDD, RoHS
EBCKIT-02-R10/PCle-HDD	EBC-3200 optional module with 1 x PCIe x1 slot and 1 x 2.5" HDD, RoHS
EBCKIT-03-R10/PCI-CF	EBC-3200 optional module with 1 x PCI slot and 1 x CompactFlash® slot, RoHS
EBCKIT-04-R10/PCle-CF	EBC-3200 optional module with 1 x PCIe x11 slot and 1 x CompactFlash® slot, RoHS
EBCKIT-05-R10/CF-HDD	EBC-3200 optional module with 1 x CompactFlash® slot and 1 x 2.5" HDD, RoHS
EBCKIT-06-R10/PCle16-HDD	EBC-3200 optional module with 1 x PCIe x16 slot and 1 x 2.5" HDD, RoHS
EBCKIT-07-R10/PCle16-CF	EBC-3200 optional module with 1 x PCIe x16 slot and 1 x CompactFlash® slot, RoHS

Dimensions (Unit: mm)



Packing list

1 x QIG	2 x Wall mount brackets	1 x Screw set
---------	-------------------------	---------------