



Main Features

- Onboard Intel® Atom™ processor D2550 1.86GHz CPU
- Intel® NM10 Express chipset
- One 204-pin SO-DIMM socket supports up to 4 GB DDR3 800/ 1066 MHz SDRAM
- Display: VGA & LVDS1 (1x DF13 20-pin 18/24-bit Single channel) & LVDS2 (2x DF13 20-pin 24/48-bit Single channel)
- 2x Mini-PCle
- 2x Intel® 82574L PCI Express Gigabit Ethernet
- 2x SATA
- 6x USB, 4-in/4-out GPIO, Mic-in , Speak out
- Serial port: 3x RS232, 1x RS232/422/485 port
- Support AT/ ATX mode and Single +12VDC input

Product Overview

The EBC 354DL is a 3.5" ECX embedded board with an on-board Intel® Atom™ processor D2550 1.86GHz CPU with 1MB L2 cache, which supports DDR3 800/ 1066 memory, along with integrated SGX545 PowerVR Core @ 400/640 MHz Enhanced Gfx & Video , support DX*10.1, OpenGL 3.0 , Full HD-Decode (MPEG2, VC1, AVC, H.264), along with integrated graphics for large display application to support Multiple Display. Intel® NM10 Express chipset provides two SATA, four serial ports, six USB 2.0 ports, two Gigabit Ethernet LAN port, two Mini-PCle interface for application. The EBC 354DL is a great solution featuring a low power consumption processor and small footprint with versatile displays and numerous I/O port support at multi-media applications.

Specifications

CPU Support

- Intel® Atom™ processor D2550 1.86GHz CPU

Main Memory

- One 204-pin SO-DIMM socket supports up to 4 GB DDR3 800/1066 MHz SDRAM

Chipset

- Intel® NM10 Express chipset

BIOS

- AMI BIOS
- Plug & Play support
- Advanced power management
- Advanced configuration & power interface
- 8M bits SPI ROM

On-board LAN

- 2x Intel® PCI Express Gigabit Ethernet
- Support boot from LAN (PXE)
- 2x RJ45 with LED

Display

- Intel® Atom™ processor D2550 integrated 3D graphics engine, enhances Gfx & video, support DX*10.1, OpenGL 3.0 , and Full HD

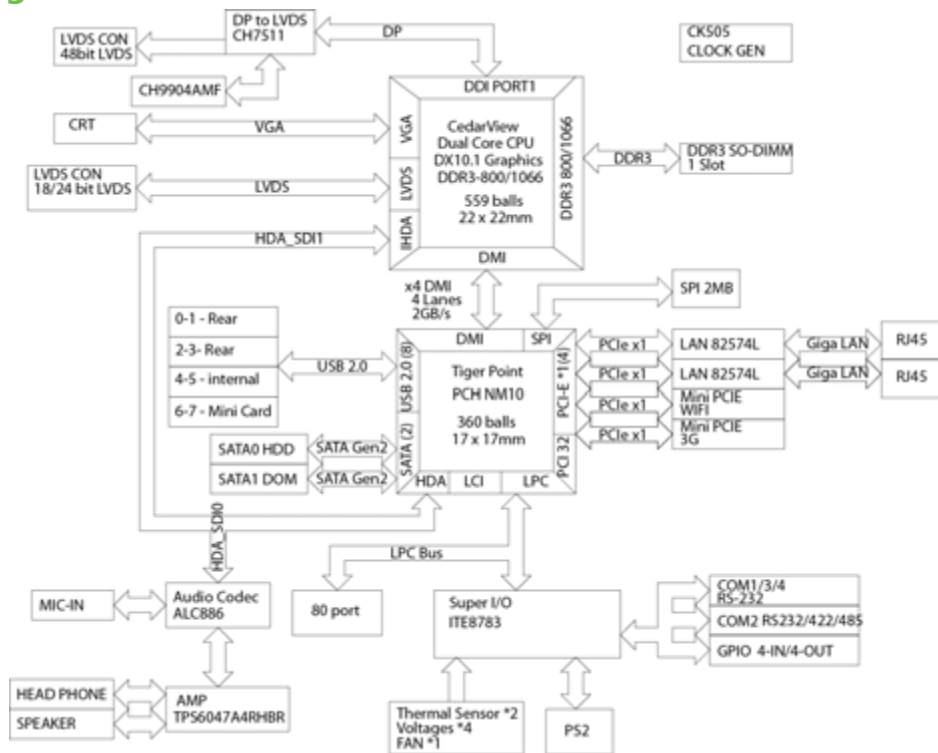
decode (MPEG2, VC1, AVC, H.264), delivers sophisticated graphics for large display applications, dual independent displays support, at graphics base frequency up to 640MHz, provides a wealth of options for high-resolution displays

- Analog VGA interface:
1x VGA within DSUB connector
Resolution up to 1920 x 1200 75Hz
- LVDS-1 interface:
Single (24bit) LVDS panel, resolution up to 1440 x 900 DF13 20-pin LVDS connector for internal connection
- CCFL interface:
1x CCFL for LCD Panel Backlight Inverter & PWM/Analog dimming control
- LVDS-2 interface:
Single (24bit/ 48bit) LVDS panel, resolution up to 2560 x 1600 with two DF13 20-pin LVDS connector for internal connection
- CCFL interface:
1x CCFL for LCD Panel Backlight Inverter & PWM/Analog dimming control

Audio

- Realtek ALC886 CODEC for High Definition
- 1x Mic-in and 1x Line-out Pin header

Block Diagram



Expansion

- 2x Mini-PCle

I/O Interface

- Serial port: 4 port
COM1, 3, 4 support RS232 with 10-pin box header
COM2 support RS232/ 422/ 485 with 10-pin box header
- USB 2.0: 6 ports
4 ports edge connector
1 ports by 2.0mm JST connector
- 8 GPIO lines via header (GPI 0~3 and GPO0~3) TTL Level (0/5 V)
- On-board power LED and HDD active LED pin header
- 1x 3-pin fan connector (for CPU)
- 1x keyboard/ mouse pin header
- On-board buzzer/ SMBus2.0/ reset SW/ on & off switch button

Edge I/O Interface

- 1x VGA D-SUB connector
- 2x dual stack USB connector
- 2x RJ45 with LED connector

Watchdog Timer

- Watchdog timeout can be programmable by software from 1 second to 255 seconds and from 1 minute to 255 minutes (tolerance 15% under room temperature 25°C)

Storage

- 2 x SATA port

System Monitor

- Monitoring of 4 voltages and 2 temperatures
- 4 voltage (Vcore, +12V, +3.3V, 5V)
- 2 temperatures (CPU, system)
- 1 fan speed detection

On-board RTC

- On-chip RTC with battery backup
- 1x external Li-Ion battery

Power Input

- Support AT and ATX mode

Power Requirements

- Power requirement: +12V DC Input
- One 4-pin power connector

Dimensions

- 3.5" ECX form factor/ 146mm (L) x 105mm (W) (5.7"x 4.1")

Environment

- Operating temperature: -15°C to 60°C
- Storage temperature: -20°C to 85°C
- Relative humidity: operating 10% to 90%, non-condensing

Certifications

- CE approval
- FCC Class A

Ordering Information

- **EBC 354DL (P/N: 10E00035402X0) RoHS Compliant**

Low power Embedded Board with Intel® Atom™ D2550 processor and based on Intel® integrated graphics engine w/ VGA/ 24bit LVDS1 / 48bit LVDS2/ 6x USB2.0/ 4x COMs/ 2x Mini-PCle/ 2x Gigabit LAN/ 2x SATA