

IDS-300-BW *Digital Signage System*

New

Features

- Fanless system with Intel® Celeron® N3160 processor
- Three HDMI ports
- Two full-size PCIe Mini slots for expansion
- Four USB 3.0 ports
- Two GbE LAN ports



Specifications

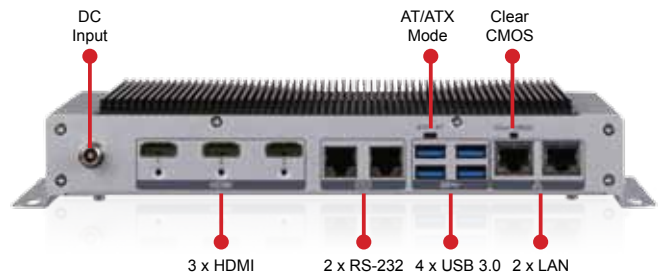
| | | |
|-----------------------|--------------------------------|---|
| Model Name | | IDS-300-BW |
| Chassis | Color | Silver |
| | Dimensions (WxDxH) (mm) | 241 x 160 x 39 |
| | System Fan | Fanless |
| | Chassis Construction | Aluminum alloys |
| Motherboard | CPU | Intel® Celeron® N3160 (up to 2.24GHz, quad-core, 2MB cache, TDP=6W) |
| | Chipset | SoC |
| | System Memory | 1 x 1600/1333 MHz DDR3L SO-DIMM, 4 GB pre-installed (support up to 8GB) |
| Storage | Hard Drive | 1 x 2.5" SATA 6Gb/s HDD/SSD Bay |
| I/O Interfaces | USB 3.0 | 4 |
| | Ethernet | 2 X RJ-45 PCIe GbE by RTL8111E controller |
| | RS-232 | 2 x RJ-45 RS-232 |
| | Button | 1 x Power button |
| | Display | 3 x HDMI |
| | Resolution | HDMI 1: up to 2560x1600 @ 60Hz HDMI 2&3: up to 3840x2160 @ 30Hz |
| | Audio | 1 x Line-in, 1 x Line-out, 1 x Mic-in |
| | Wireless | 1 x 802.11b/g/n (optional) |
| Expansions | PCIe Mini | 2 x Full-size PCIe Mini slot (one co-lay mSATA) |
| Power | Power Input | DC Jack: 12 V DC |
| | Power Consumption | 12 V@2 A (Intel® Celeron® N3160 with 4GB memory) |
| Reliability | Mounting | Wall mount, VESA 75 |
| | Operating Temperature | -20°C ~60°C with air flow (SSD), 10% ~ 95%, non-condensing |
| | Operating Shock | Half-sine wave shock 5G, 11ms, 3 shocks per axis |
| | Operating Vibration | MIL-STD-810F 514.5 C-1(HDD), MIL-STD-810F 514.5 C-2(SSD) |
| | Weight (Net/Gross) | 1.8 kg/ 3kg |
| OS | Safety/EMC | CE/FCC |
| | Supported OS | Microsoft® Windows® 8 Embedded, Microsoft® Windows® Embedded Standard 7 E |

Fully Integrated I/O

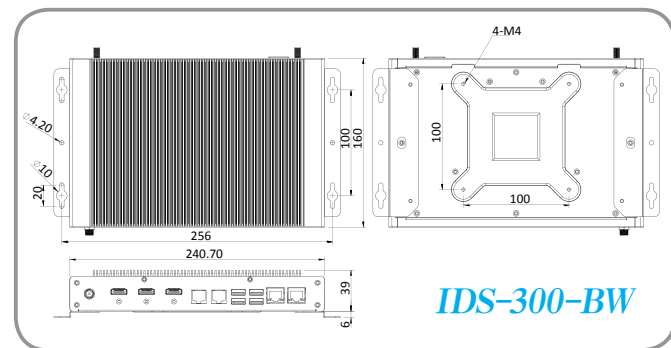
Front View



Rear View



Dimensions (Unit: mm)



Options

| Part No. | Description |
|---------------------|---|
| IDS-300-WES7E64-R10 | OS Image with Windows® Embedded Standard 7 E 64-bit for IDS-300, DVD-ROM, RoHS |
| EMB-WIFI-KIT01-R11 | 1T1R Wi-Fi module kit for embedded system, IEEE802.11b/g/n, 1 x Wi-Fi module, 2 x RF cable, 2 x Antenna, RoHS |

Ordering Information

| Part No. | Description |
|----------------------|--|
| IDS-300-BW-N3/4G-R10 | Fanless embedded system with Intel® Celeron N3160 1.6GHz, (up to 2.24 GHz, Quad Core, TDP 6W), pre-installed 4GB DDR3L memory, 12V DC, triple HDMI display, RoHS |

Packing List

| | | |
|----------------|-------------------|----------------------|
| 1 x Utility CD | 1 x Power Adapter | 1 x Mounting Bracket |
|----------------|-------------------|----------------------|