

IKARPC-07A

Vehicle Computer Series



Features

- 7" sunlight readable TFT LCD with projected capacitive touchscreen
- Built-in HSUPA/GPRS/GSM, Wi-Fi and Bluetooth
- Built-in GPS receiver
- Supports On-Board Diagnostics: one CAN 2.0B or OBD-II



Specifications

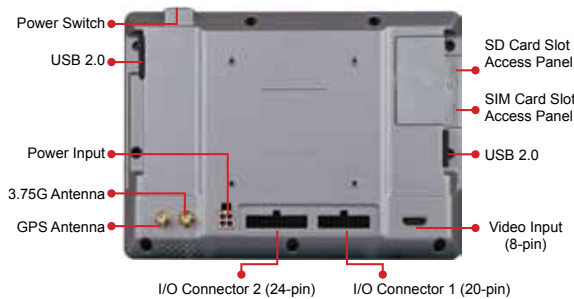
Model Name		IKARPC-07A-A9	IKARPC-07A-BT	
Chassis	Color	Black C + Silver	Black C + Silver	
	Dimensions (WxHxD) (mm)	210 x 154 x 28	210 x 154 x 28	
	System Fan	Fanless	Fanless	
	Chassis Construction	PC + ABS plastic	PC + ABS plastic	
Display	Size	7"	7"	
	Resolution	1024 x 3 (RGB) x 600	1024 x 3 (RGB) x 600	
	Brightness (cd/m ²)	500	500	
	Contrast Ratio	700:1	700:1	
	Pixel Pitch (mm)	0.05 (W) x 0.15 (H)	0.05 (W) x 0.15 (H)	
	Viewing Angle (H/V)	130° (H) / 140° (V)	130° (H) / 140° (V)	
	Touchscreen	Projected capacitive touch with USB interface	Projected capacitive touch with USB interface	
Motherboard	CPU	Freescale™ i.MX 6 Cortex™-A9 (quad-core, 1.0 GHz)	Intel® Atom™ processor E3826 (dual-core, 1.46 GHz, 7W)	
	Chipset	N/A	SoC	
	System Memory	On-board 1 GB SDRAM	On-board 2 GB SDRAM	
Storage	SD Card	1 (supports SD 2.0, max. 32 GB)	1 (microSD, supports SD 2.0, max. 32 GB)	
	mSATA	N/A	1 x mSATA (SATA 3Gb/s) optional	
	Flash	On-board 8 GB iNAND flash	N/A	
Communication	WLAN	On-board Wi-Fi 802.11a/b/g/n 2T2R	PCIe Mini Wi-Fi 802.11a/b/g/n/ac (optional)	
	Bluetooth	Bluetooth 4.0 + HS	Bluetooth 4.0 + 3.0 HS Standard combined with Wi-Fi module (optional)	
	WWAN	PCIe Mini, WCDMA/HSDPA/HSUPA	PCIe Mini, WCDMA/HSDPA/HSUPA (optional)	
	RFID	13.56 MHz ISO4443 A/B, read-write capable, ISO 14443A (MIFARE), ISO 14443B (FeliCa)	N/A	
	GPS	On board GPS	On board GPS	
I/O Interfaces	20-pin Connector	1 x 10/100 LAN 1 x OBD-II/CAN bus 1 x USB 2.0	1 x GbE LAN 1 x OBD-II/CAN bus 1 x USB 2.0	
	24-pin Connector	1 x Audio line-out (R+L) 1 x Audio line-in 1 x RS-232 4-bit digital I/O (2-bit input, 2-bit output)	1 x Audio line-out (R+L) 1 x Audio line-in 1 x RS-232 4-bit digital I/O (2-bit input, 2-bit output)	
	8-pin Connector	Video input	N/A	
	USB 3.0	N/A	1	
	USB 2.0	2	1	
	Display	N/A	1 x HDMI	
	SIM	1	2	
	Antenna	1 x GPS, 1 x WWAN	1 x GPS, 1 x WWAN	
	Expansions	PCIe Mini	1 x Full-size PCIe Mini for mSATA module	1 x Full-size PCIe Mini (reserved for mSATA module), 1 x Full-size PCIe Mini (reserved for 3G module), 1 x Half-size PCIe Mini (reserved for Wi-Fi module)
	Multimedia	Speaker	1 x Speaker (2 W)	1 x Speaker (2 W)
	Camera	5-megapixel CMOS	2-megapixel CMOS	
LED Indicator & Button	Indicator	Power/BT/Wi-Fi/3G	Power/HDD/Wi-Fi/3G	
Power	Power Input	Cigarette lighter power cable, DC 9 V~30 V	Cigarette lighter power cable, DC 9 V~30 V	
	Consumption	12 V @ 0.8 A	12V @ 1.25 A	
Reliability	Mounting	VESA 75	VESA 75	
	Operating Temperature	-20°C ~ 60°C with air flow	-20°C ~ 60°C with air flow	
	Storage Temperature	-30°C ~ 70°C	-30°C ~ 70°C	
	Humidity	5% ~ 95%, non-condensing	5% ~ 95%, non-condensing	
	Operating Shock	Half-sine wave shock 5G, 11ms, 3 shocks per axis	Half-sine wave shock 5G, 11ms, 3 shocks per axis	
	Operating Vibration	MIL-STD-810F 514.5C-2 (with SSD)	MIL-STD-810F 514.5C-2 (with SSD)	
	Weight (Net/Gross)	0.9 kg/2.1 kg	0.9 kg/2.1 kg	
Safety/EMC	CE/FCC/E-Mark	CE/FCC/E-Mark		
OS	Supported OS	Android 4.2.2	Microsoft® Windows® Embedded 8, Microsoft® Windows® Embedded Standard 7 E	

IKARPC-07A-2016-V10

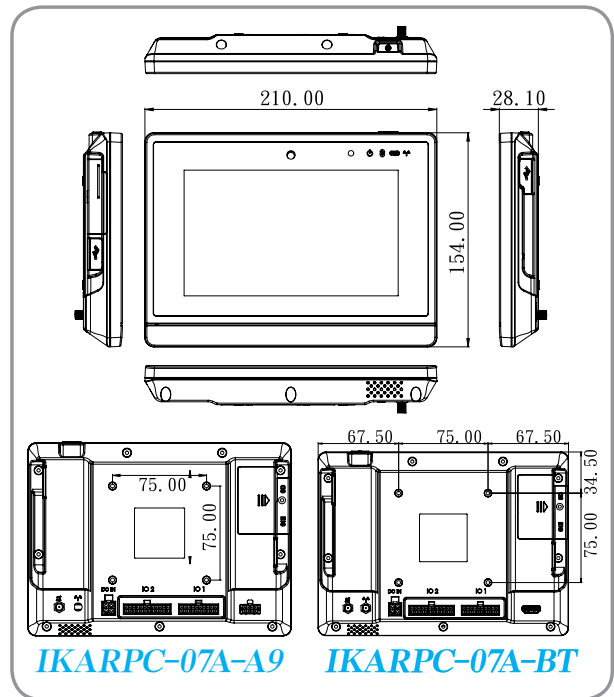
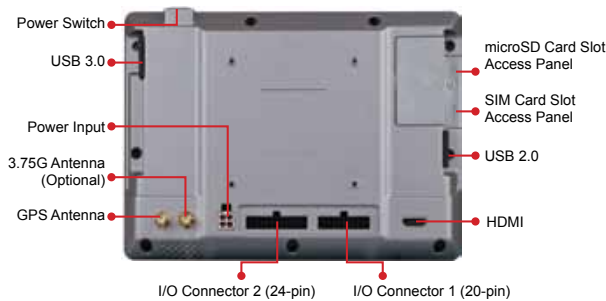
Fully Integrated I/O

Dimensions (Unit: mm)

IKARPC-07A-A9 Rear view



IKARPC-07A-BT Rear view



Ordering Information

Part No.	Description
IKARPC-07A-A9-R10	7" 500 cd/m ² 1024 x 600 in-vehicle panel PC with Freescale™ i.MX6 quad-core processor, 1.0 GHz, 1 GB SDRAM, 8 GB EMMC flash, 5-megapixel camera, RFID reader, OBD-II, HSDPA, GPS, Wi-Fi, BT, RoHS
IKARPC-07A-BT-E3/2G-R10	7" 500 cd/m ² 1024 x 600 in-vehicle panel PC with Intel® Atom™ E3826 1.46 GHz processor, 7 W TDP, on-board 2 GB DDR3L memory, OBD-II, on-board GPS, 2-megapixel camera, RoHS

Options

Item	Part No.	Description
Power adapter	IVIPOWER-4PIN-R10	Power adapter with 4-pin transfer cable, RoHS
Cigarette lighter power cable	32002-004000-100-RS	Round cable, power cable, car cigarette lighter cable, 2000 mm, 18 AWG, (A) cigarette lighter (5 A 250 V)+ ψ 3 green LED, (B) MOLEX 5557-0400 P=4.2, SHANGHAI YING YU, RoHS
VESA mount stand	IVI-MK03-R10	138mm 75x75 VESA mount stand
OBD-II cable	32025-000300-100-RS	Round cable, OBD-II cable, 2000 mm, 24 AWG, (A) OBD-II 16P male, (B) D-sub 9P female, one piece package with label, NIAN YEONG, RoHS
J1939/FMS cable	32025-000400-100-RS	Round cable, J1939 cable, 2000 mm, 22 AWG, (A) J1939 9P male, (B) D-9P female, RoHS

IKARPC-07A-A9 Series

Item	Part No.	Description
I/O connector 1 cable (20-pin)	32024-002400-100-RS	Round cable, integration cable, I/O cable, 300 mm, 24 AWG, (A)terminal block 3P P=5.08, (B)USB A type female+2 NUT, (C)PCB jack: RJ-45 8P8C, (D)D-sub 9P male, (E)MOLEX 5557-2000 P=3.0, one piece package with label, RoHS
I/O connector 2 cable (24-pin)	32024-002900-100-RS	Round cable, integration cable, I/O cable, 300 mm, 22 AWG, (A)terminal block 8P, P=5.08, (B)MOLEX 43025-2400 P=3.0, (C)D-sub 9P male, (D)phone jack 3.5_3P+NUT, (E)phone jack 3.5_5P+NUT, one piece package with label, RoHS
Video input cable (8-pin)	32010-001700-100-RS	Round cable, video cable, 300 mm, 26 AWG, (A)MOLEX 43025-0800 P=3.0, (B)RCA jack, yellowx4, RoHS

IKARPC-07A-BT Series

Item	Part No.	Description
I/O connector 1 cable (20-pin)	32024-003000-100-RS	Round cable, integration cable, I/O cable, 300 mm, 24 AWG (A)terminal block 3P P=5.08, (B)USB A type female+2 NUT, (C)PCB jack: RJ-45 8P8C, (D)D-sub 9P male, (E)MOLEX 5557-2000 P=3.0, one piece package with label, RoHS
I/O connector 2 cable (24-pin)	32124-003700-100-RS	Round cable, integration cable, I/O cable, 300 mm, 22 AWG, (A)terminal block 8P P=5.08, (B)MOLEX 43025-2400 P=3.0, (C)D-sub 9P male, (D)phone jack 3.5_3P+NUT, (E)phone jack 3.5_5P+NUT, one piece package with label, RoHS
OS: Windows Embedded 7 (DVD-ROM)	IKARPC-07A-BT-WES7P-R10	OS image with Windows® Embedded Standard 7 E for IKARPC-07A-BT Series, DVD-ROM, RoHS
OS: Windows Embedded 8 (DVD-ROM)	IKARPC-07A-WES8-R10	OS image with Windows® Embedded Standard 8 E for IKARPC-07A-BT Series, WE8S license label, DVD-ROM, RoHS
Wireless kit	IKARPC-WIFI-KIT01-R10	IEEE 802.11a/b/g/n/ac, Wi-Fi compliant / Bluetooth 4.0 + 3.0 HS Standard
WWAN kit	IKARPC-3G-KIT01-R10	F260 3.75G module kit for embedded system, with Bluetooth V2.1, 2 x RF cable, 1 x antenna, RoHS, For IEI ATO only

Packing List

Item	P/N	Qty	Description
ACC power cable	32002-001900-100-RS	1	Round cable, power cable, 3000 mm, 16 AWG, (A) MOLEX 5557-04P P=4.2, RoHS
GPS/GSM antenna	32506-000100-100-RS	1	Integration antenna, GPS/GSM, RG 174, 5000 mm/5000 mm, PPF-5423SA5X-999, magnetic mount: ϕ 55 mm x 22mm, 1575.42 MHz/850 MHz/900 MHz/1800 MHz/1900 MHz, 2 x SMA plug, RoHS
Utility CD		1	User manual and driver CD