

Datasheet

InnoRobust series

2.5" SATA SSD 3MR2-P

- Compliant with MIL-STD-810-F/G
- Data security (Quick Erase/ Security Erase/ Destroy/ Write Protect)
- High random R/W performance
- iSMART disk health monitoring
- Intelligent error recovery system
- Enhanced power cycling management
- iCell technology for data protection
- Conformal coating (optional)



Introduction

Innodisk 2.5" SATA SSD 3MR2-P is a SATA III 6.0Gb/s Flash based disk, which delivers excellent performance and reliability. Especially, it comes with several data security functions, including Quick Erase/ Security Erase/ Destroy and also Write Protect. All the security functions can be triggered both by hardware and software approaches. 2.5" SATA SSD 3MR2-P is compliant with MIL-STD-810F/G standards. The SSD is equipped ruggedized hardware design and thus it can perform well in the harsh environment. 2.5" SATA SSD 3MR2-P is developed with Innodisk owned technical knowhow to ensure the data integrity and highest levels of reliability.

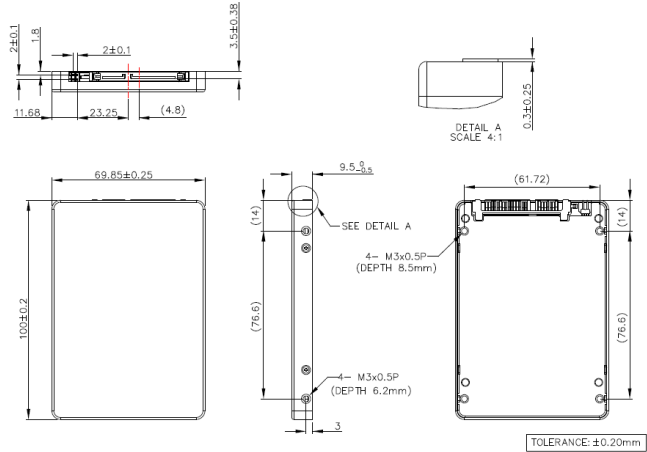
2.5" SATA SSD

3MR2-P series

Drawing

Contact us for more information about the 2.5" SATA SSD 3MR2-P

Innodisk is a service-driven provider of industrial embedded flash and DRAM storage products and technologies, with a focus on the industrial/embedded, aerospace and defense, and cloud computing industries.



Specifications

Interface	SATA III
Flash Type	MLC
Flash P/E Cycle Limit	3,000
Capacity	8GB~2TB
Max. Channels	4
Sequential R/W (MB/sec, max.)	520/450
Max. Power Consumption	5.78 W (5V x 1155 mA)
Thermal Sensor	Supported
External DRAM Buffer	Supported
H/W Write Protect	Optional
S/W Write Protect	Supported
Quick Erase	Supported
ATA Security	Supported
S.M.A.R.T.	Supported
Dimension (WxLxH)	69.85 X 100.00 X 9.5 mm
Environment	Vibration: 20G @7~2000Hz Shock: 1500G @ 0.5ms Storage Temperature: -55°C ~ +95°C MTBF: 3 million hours

Headquarters (Taiwan)

5F., No.237, Sec. 1, Datong Rd.,
Xizhi Dist., New Taipei City,
Taiwan (R.O.C.)
Tel: +886-2-77033000
Email: sales@innodisk.com

Branch Offices:

USA
usasales@innodisk.com
+1-510-770-9421
Europe
eusales@innodisk.com
+31-40-3045-400
Japan
jpsales@innodisk.com
+81-3-6667-0161
China
sales_cn@innodisk.com
+86-755-21673689
www.innodisk.com

© 2017 Innodisk Corporation.
All right reserved. Specifications
are subject to change without
prior notice.

Ordering Information

20180321

Operation Temp.	8GB	16GB	32GB	64GB	128GB	256GB	512GB	1TB	2TB
Standard Grade (0°C ~ +70°C)	DRS25-08GD81BC1SCP DRS25-08GD82BC1SCP	DRS25-16GD81BC1SCP DRS25-16GD82BC1SCP	DRS25-32GD81BC1DCP DRS25-32GD81BC1QCP DRS25-32GD82BC1DCP DRS25-32GD82BC1QCP	DRS25-64GD81BC1QCP DRS25-64GD82BC1QCP	DRS25-A28D81BC1QCP DRS25-A28D82BC1QCP	DRS25-B56D81BC1QCP DRS25-B56D82BC1QCP	DRS25-C12D81BC1QCP DRS25-C12D82BC1QCP	DRS25-01TD81BCAQCP DRS25-01TD82BCAQCP	DRS25-02TD81BCAQCP DRS25-02TD82BCAQCP
Industrial Grade (-40°C ~ +85°C)	DRS25-08GD81BW1SCP DRS25-08GD82BW1SCP	DRS25-16GD81BW1SCP DRS25-16GD82BW1SCP	DRS25-32GD82BW1DWP DRS25-32GD81BW1QCP DRS25-32GD82BW1QWP DRS25-32GD82BW1DWP DRS25-32GD82BW1QWP	DRS25-64GD81BW1QCP DRS25-64GD82BW1QCP	DRS25-A28D81BW1QCP DRS25-A28D82BW1QCP	DRS25-B56D81BW1QCP DRS25-B56D82BW1QCP	DRS25-C12D81BW1QCP DRS25-C12D82BW1QCP	DRS25-01TD81BWAQCP DRS25-01TD82BWAQCP	DRS25-02TD81BWAQCP DRS25-02TD82BWAQCP

innodisk

www.innodisk.com