

Datasheet

Industrial Nano USB

- -40°C~85°C operation
- Excellent data transfer speed
- Intelligent system for error recovery
- Enhanced power cycling
- ESD proof
- iSMART utility for health monitoring



Introduction

The Innodisk Industrial nanoUSB is the smallest industrial USB storage in the world. It electrically complies with High-speed USB 2.0 interface & backward compatible with USB 1.1. In order to fulfill the industrial applications, Industrial nanoUSB is embedded with SLC NAND flash. Moreover, it features enhanced power cycling which ensures data integrity in flash when abnormal power failure happens.

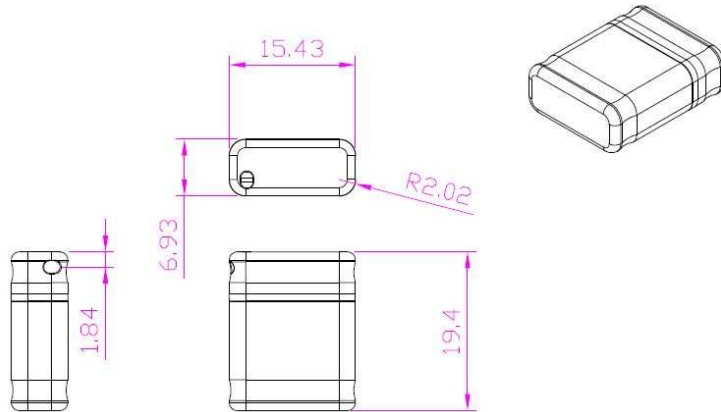
The Industrial nanoUSB offers following key features which make it more reliable, such as being ESD resistant to 8KV (contact discharge) and 15KV (air discharge). At the same time, it also features a wide operating temperature range from -40°C to 85°C, making it well- suited for industrial control applications in a variety of different rugged operating conditions. Also, the health of Industrial nanoUSB can be monitored by a specific i-S.M.A.R.T utility.

Industrial Nano USB

Contact us for more information about the Industrial Nano USB

Innodisk is a service-driven provider of industrial embedded flash and DRAM storage products and technologies, with a focus on the cloud computing, industrial/embedded, and aerospace and defense industries.

Diagram



(Tolerance is $\pm 0.2\text{mm}$)

Headquarters (Taiwan)

5F., No.237, Sec. 1, Datong Rd., Xizhi Dist., New Taipei City 221, Taiwan (R.O.C.)

Tel: +886-2-77033000
Email: sales@innodisk.com

Branch Offices:

USA
usasales@innodisk.com
+1-510-770-9421
Europe
eusales@innodisk.com
+31-40-3045-400
Japan
jpsales@innodisk.com
+81-3-6667-0161
China
sales_cn@innodisk.com
+86-755-21673689
www.innodisk.com

© 2017 Innodisk Corporation.
All right reserved. Specifications are subject to change without prior notice.

20170221

Specifications

Interface	USB 2.0
Flash Type	SLC
P/E cycle	60,000
Capacity	1GB~8GB
Max. Channels	1
Sequential R/W (MB/sec, max.)	19/17
Max. Power Consumption	0.45W (5V x 90 mA)
Thermal Sensor	-
External DRAM buffer	-
H/W Write Protect	-
ATA Security	-
S.M.A.R.T.	√
Dimension (WxLxH)	15.4 X 19.4 X 6.9mm ($\pm 0.2\text{mm}$)
Environment	Vibration: 5G @7~2000Hz Shock: 50G @ 0.5ms Storage Temperature: -55°C ~ +95°C MTBF: 3 million hours

Ordering Information

Operation Temp.	1GB	2GB	4GB	8GB
Standard Grade (0°C ~ +70°C)	DEUN-01GS24AC1SB	DEUN-02GS24AC2ST	DEUN-04GS24AC2ST	DEUN-08GS24AC2ST
Industrial Grade (-40°C ~ +85°C)	DEUN-01GS24AW1SB	DEUN-02GS24AW2ST	DEUN-04GS24AW2ST	DEUN-08GS24AW2ST

innodisk

www.innodisk.com