



## Main Features

- Quad core Intel® Celeron® processor J1900 2GHz
- 4GB of DDR3L SO-DIMM memory
- 15" 4:3 XGA (1024 x 768) P-cap true flat touch display with IP65-Rated front panel
- Fanless design
- 320GB 5,400rpm 2.5" HDD
- 2 x mini-PCIe, 4 x COM, 2 x USB 3.0, 2 x USB 2.0, 1 x VGA, 1 x GbE LAN
- 24VDC 120W power brick
- Optional peripheral expansion: MSR, fingerprint, VFD, 2nd display, cash drawer, scanner

## Product Overview

NEXCOM has released the kiosk panel PC KPPC 1562 to help build a smart future-proof kiosk that can evolve with changing needs of retail and hospitality industries. Based on Intel® Celeron® J1900 processor, the KPPC 1562 can power multimedia contents for advertising and enable multiple ways of user interaction for self-servicing. The KPPC 1562 is designed with expansion flexibility and ease of use and maintenance and can maximize kiosk uptime and lower total cost of ownership (TCO) for users.

## Specifications

### System Processor

- Motherboard: NP-BYT0-B/C/D
- Processor: Intel® Celeron® processor J1900, 4C, 2.0 GHz, 2MB cache
- Chipset: integrated in Intel® Atom™ SoC
- System memory: 1 x SO-DIMM DDR3L 1333 4GB
- Graphics: integrated graphics controller, Intel's gen 7 graphics and media encode/decode engine

### LCD Touch Screen

- LCD size: 15" TFT XGA (1024x768) 250cd/m<sup>2</sup> LED panel
- Touch screen: 15" zero bezel projected capacitive touch panel
- Tilt angle: 0° ~ 80°

### Storage Device

- 1 x 2.5" SATA HDD 320GB 5,400rpm removable type

### Expansion

- 1 x full size mini-card slot (mini-PCIe/USB/3G SIM slot)
- 1 x half size mini-card slot (mini-PCIe/USB)

### Audio

- 1 x system buzzer

### Rear I/O

- Serial port: 4 x DB-9 powered RS232 (adjust RI/SV/12V by BIOS setting)
- USB port: 2 x USB 3.0, 2 x USB 2.0
- Parallel port: 1 x DB-25 parallel optional
- LAN port: 1 x RJ-45 (10/100/1000Mbps Ethernet)
- VGA: 1 x DB-15 VGA
- Cash drawer Port: 1 x RJ-11, support two cash drawers (24V, Max. 1.1A)
- DC-IN Jack: 1 x DC 24V Input
- DC-OUT Jack: 1 x DC 12V output for 2nd display power (12V, Max. 3.0A)
- Line-out/MIC: 1 x Line-out for external audio speaker

### System Control/Indicator

- Power switch: 1 x power ON/OFF switch
- Power LED: 1 x power ON LED (green)

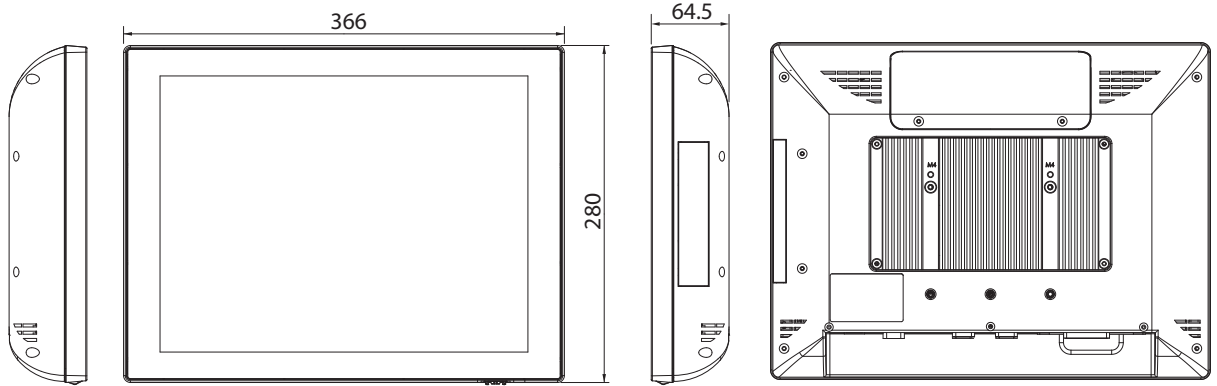
### Power

- External AC DC 24V/5A 120W power brick

### Environment

- Operating temperature: 0°C ~ 40°C (32°F ~ 104°F)
- Storage temperature: -20°C ~ 60°C (-4°F ~ 140°F)
- Operating humidity: 20% to 80% RH non-condensing
- Storage humidity: 20% to 85% RH non-condensing

## Dimension Drawing



### Peripheral (Optional)

- MSR: ISO 3 tracks MSR (USB/RS232 combo interface or PS/2)
- MSR/Fingerprint combo: ISO 3 Tracks MSR (PS/2) & Fingerprint (USB) combo
- Customer display: 2 x 20 VFD customer display
- 2nd display: 15" LCD monitor

### Dimension

- Display head: 366mm (W) x 280mm (H) x 64.5mm (D)
- Package size: 490mm (L) x 395mm (W) x 190mm (H)

### Weight

- Net weight/gross weight: 5.0kg (11.0lbs)/7.0kg (15.4lbs)

### Operating System

- Windows: Windows 8, WES 8, POS 7, Win 7 Pro, WES 7
- Linux: Fedora 17, TIZEN

### Certificate

- FCC/CE/LVD

## Ordering Information

### ♦ KPPC 1562-036 (P/N: TBD)

- CPU: Intel® Celeron® processor J1900 2GHz
- LCD/ Touch: 15" XGA 1024 x 768 250nits with LED backlight/P-cap true flat touch display
- Memory: 4GB DDR3 SO-DIMM
- HDD: 320GB 2.5" SATA 5,400rpm
- Power: DC 24V/120W power brick
- Color: black