

# M101WK

## 10.1" Rugged Tablet PC with Intel® Core™ i5-8265U



### KEY FEATURES

- Intel® Core™ i5-8265U Whiskey Lake processor Rugged Tablet PC
- 10.1" 1920 x 1200 IPS LED Panel with direct optical bonding
- Sunlight readable with anti-glare solution
- Hot-swappable battery design
- IP65 waterproof and dustproof, MIL-STD-810G shock, vibration and drop resistance



### SPECIFICATIONS

Display	
<b>Resolution</b>	1920x1200
<b>Contrast Ratio</b>	800:1
<b>View Angles</b>	85,85,85,85
<b>Viewability</b>	Anti-Glare touch treatment
<b>Size</b>	10.1 inches
<b>Panel Brightness</b>	800 nits
<b>Type</b>	Projected Capacitive Multi Touch
<b>Bonding</b>	Optical Bonding for Sunlight Viewability
System Specification	
<b>Processor</b>	Intel Core i5-8265U 1.6GHz (up to 3.9GHz)
<b>Memory</b>	4GB DDR4 SDRAM 8GB DDR4 SDRAM (Optional) 16GB DDR4 SDRAM (Optional)
<b>Storage</b>	128GB SSD Additional storage available with micro SDXC card slot 256GB SSD (Optional) 512GB SSD (Optional) 1TB SSD (Optional)
<b>Security</b>	Trusted Platform Module (TPM) 2.0 Kensington Lock
<b>Operating System</b>	Windows 10 IoT Enterprise (64 bit)
<b>WLAN</b>	Support
<b>BT</b>	Support
<b>WWAN</b>	4G LTE (Optional)
<b>GNSS</b>	GPS, GLONASS
<b>RFID</b>	HF RFID reader 13.56 MHz (Optional)
<b>Sensors</b>	Light sensor/ G-sensor / Gyro
Camera	
<b>Front Camera</b>	2MP Front Camera
<b>Rear Camera</b>	8MP Rear Camera with auto-focus and LED light
Mechanical	
<b>Dimension</b>	271.8 x 197.2 x 21 mm (10.7 x 7.76 x 0.83 inches)
<b>Weight</b>	1.3 kg (2.86 lbs) with standard battery
<b>Cooling System</b>	Fan design
IO Ports	
<b>USB Port</b>	1 x USB 3.0 (Type A), 1 x USB 3.0 (Type C)
<b>SD Card Slot</b>	1 x Micro SDXC slot
<b>SIM Card Slot</b>	1 x Micro SIM card slot
<b>Video</b>	1 x Micro HDMI (Optional)
<b>Audio</b>	1 x Audio combo 3.5mm audio combo jack Dual Digital Mic With Noise Cancellation Dual Speaker
<b>Indicator</b>	4x LED Indicator for Power, Battery, HDD, RF status
<b>Docking Connector</b>	1 x 19-pin docking connector
Environment	
<b>Operating Humidity</b>	10% to 90% RH, non-condensing
<b>Operating</b>	-20°C to 60°C (AC mode), -10°C to 50°C (Battery)

<b>Storage Temperature</b>	-30°C to 70°C (-22°F to 158°F)	<b>Temperature</b>	mode)
<b>Vibration</b>	MIL-STD-810G Method 514.6 Procedure I	<b>Shock</b>	MIL-STD-810G Method 516.6 Procedure I
<b>Drop</b>	MIL-STD-810G Method 516.6, 4 ft	<b>IP rating</b>	IP65

**Certification**

<b>Certification</b>	CE, FCC
----------------------	---------

**Security Function**

<b>SOTI MobiControl</b>	SOTI MobiControl Compliance	<b>Kensington Lock</b>	Kensington Lock Support
-------------------------	-----------------------------	------------------------	-------------------------

<b>Button</b>	1 x Power, 1 x Home 2 x volume key 2 x Programmable function Keys
---------------	---

**Power**

<b>Battery</b>	Hot-swappable 10.8V, typ. 4700 mAh Li-Polymer Battery (3S2P)	<b>Battery Operating Time</b>	Standard. Battery: 8 hours
<b>Power Rating</b>	19V DC	<b>Adapter</b>	100-240V, 50-60Hz / 19V DC

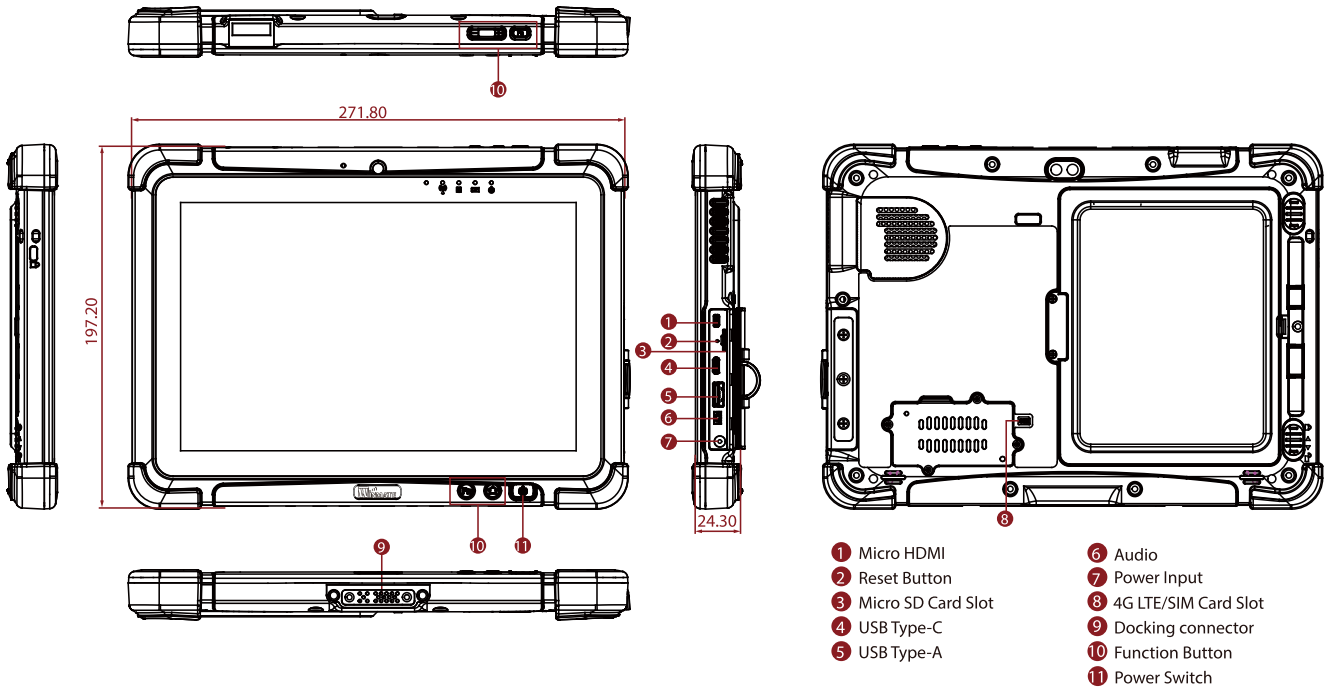
**Accessory**

<b>Accessory</b>	Adapter and Power Cord Capacitive Stylus Standard Battery	<b>Optional Accessory</b>	Desk Dock (Optional) Vehicle Dock (without VGA output) (Optional) Vehicle Cradle (Optional) Vehicle Charger (Optional) Battery Charger (Optional) Hand Strap (Optional) Shoulder Strap (Optional) Carry Bag (Optional) VESA Mount Kit (Optional)
------------------	---	---------------------------	--

**Barcode Scanner**

<b>Barcode Scanner</b>	1D/2D barcode reader (Optional)
------------------------	---------------------------------

**DIMENSIONS** UNIT:MM



## NOTE

1. Total usable memory will be less dependent upon actual system configuration.
2. The USB Type-C connector follows USB 3.0 standard, which does not support Alternate Mode (ALT) or USB Power Delivery (USB-PD).
3. Add-on modules require the expansion port option to be usable.
4. TPM 2.0 available upon request.
5. SOTI is available upon request.
6. Measured at dimming LCD brightness. Varies depending on the usage conditions, or when an external device is attached.
7. Length measurements do not include protrusions. Weight varies with options and active pen.
8. The drop test with a high-capacity battery must come with a hand strap.
9. Accessories and Integrated Options may vary depending on your configuration.
10. This is a simplified drawing and some components are not marked in detail.
11. The product shown in this datasheet is a standard model. For diagrams that contain customized or optional I/O, please contact the Winmate Sales Team for more information.