

MPPC 2130P

21.5" TFT Full HD 16:9 Fanless Panel PC with Intel® Atom™ D2550,
1.86 GHz, P-Cap Touch Screen, 2GB DDR3, 4 x USB, 2 x COM



Main Features

- 16:9 21.5" Fanless Panel Computer
- Intel® Atom™ D2550, Dual Core, Low Consumption CPU
- Dual GbE/2nd display-VGA or HDMI/Line-in/Line-out/MIC-in
- 4 x USB/2 x Mini-PCIe sockets/1 x CFast/2 x RS232/422/485
- Multi-touch P Cap Touch
- DDR3 2GB/2.5" HDD Bracket/Two Speakers
- Optional 3.5G/Wi-Fi Module/2.5" HDD/Panel Mount Kit
- Panel Mount/VESA Mount Compliance
- Wide Range Power Input 12V~30VDC
- Zero Bezel Flush Front design

Product Overview

The MPPC 2130P is available in 21.5" 16:9 LCD size with resolutions up to 1920 x 1080 (full HD) and industrial motherboard making it the perfect "signage ready" Panel PC solution for self Service/Kiosk and interactive digital signage players. The MPPC 2130P uses multi-touch P Cap Touch with flush zero bezel in a 100% flat surface which is elegant outlook and smooth touch feeling. In addition, the MPPC 2130P is fanless multimedia Panel PC which is powered by a high performance Intel® Atom™ D2550 processor with Intel® NM10 Express chipset and support for DDR3 memory, which enable simultaneous running of rich stream dynamic multimedia content. Other features include built-in dual Ethernet, optional Wi-Fi module, the slimmest x86 based touch terminal and panel/VESA mount design which Minimizes space and enables installation almost any location, including retail outlets, supermarkets, train station and airports.

Specifications

Panel

- LCD size: 21.5", 16:9
- Resolution: full HD, 1920 x 1080
- Luminance: 400 cd/m²
- Contrast ratio: 3000
- LCD color: 16.7M
- Viewing angle: 89 (U), 89 (D), 89 (L), 89 (R)
- Backlight: LED

Touch Screen

- Two points P-Cap (Projected Capacitive Touch)
- Touch light transmission: 85%
- Anti-scratch surface: 7H hardness
- Touch interface: USB

System

- CPU: On-board Intel® Atom™ Dual Core processor D2550, 1.86GHz, 1M L2 Cache
- BIOS: AMI BIOS
- System chipset: Intel® NM10 Express chipset
- System memory: 2 x 204-pin DDR3 SO-DIMM socket, 2GB DDR3 (Default), Support up to 4GB DDR3-800/1066, Non-ECC and Un-buffered
- Storage Device:
 - 1 x external locked CFast socket
 - 1 x hard drive bay: optional 1 x 2.5" SATA HDD or 1 x SATA DOM

- Watchdog timer: Watchdog timeout can be programmable by software from 1 second to 255 seconds and from 1 minute to 255 minutes (Tolerance 15% under room temperature 25°C)
- H/W status monitor: Monitoring system temperature, and voltage
- Expansion: 2 x Mini-PCIe sockets (support optional Wi-Fi or 3.5G module)
- Panel backlight control button: Increase brightness/decrease brightness/Backlight ON/Off

Rear I/O

- COM #1: RS232/422/485 w/ RI or 5V selection
- COM #2: RS232/422/485 w/ RI or 12V selection
- Ethernet: 2 x RJ45
- 2nd display port: VGA (1 x DB15) and HDMI
- Audio port: 1 x Line-out; 1 x Line-in; 1 x MIC-in
- USB: 4 x USB2.0
- Power switch
- Reset button

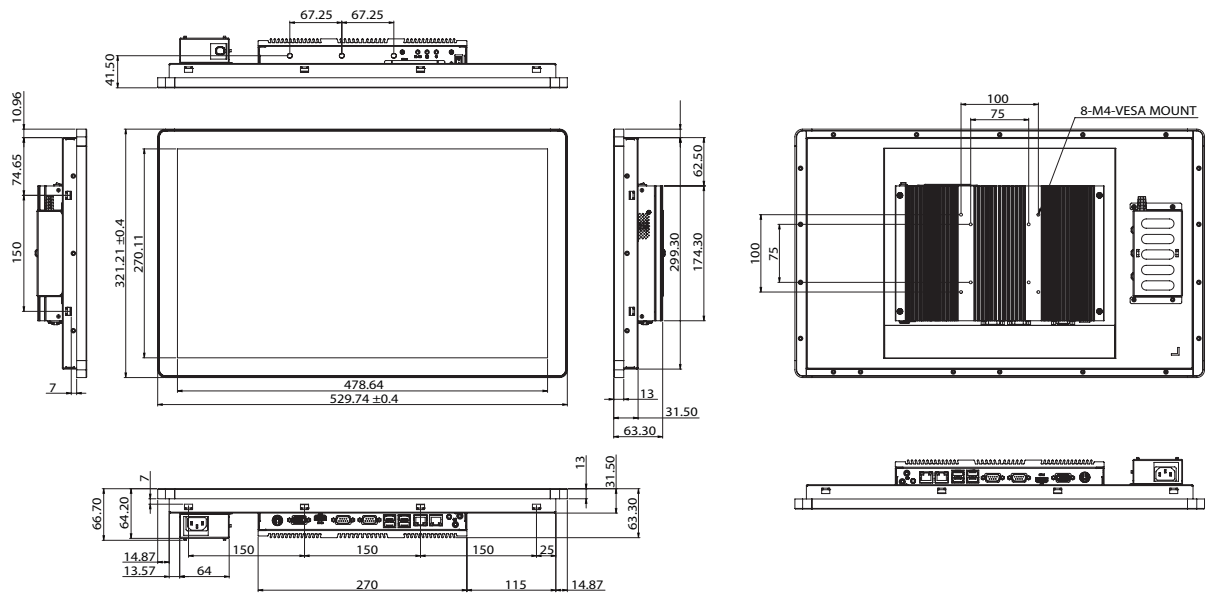
Audio

- AC97 codec: Realtek ALC886-GR
- Audio interface: Line-out/Line-in/MIC-in Audio Jack
- Two 2W Speakers

Ethernet

- LAN chip: dual Intel® 82574L Gigabit LAN

Dimension Drawing



- Ethernet interface: 10/100/1000 Based-Tx Ethernet compatible

Mechanical & Environment

- Color: pantone black\ RAL 15 00
- Mounting: stand/VESA 75 x 75; 100 x 100mm panel/wall/
Panel Mount Kit (Optional)
- Power input: 12V~30VDC
- Power adapter: AC to DC power adaptor (+12V, 60W)
- Vibration:
IEC 68 2-64 (w/ HDD)
0.5Grms @ sine, 5~500Hz, 1hr/axis (HDD Operating)
2.2Grms @ random condition, 5~500Hz, 0.5hr/axis (Non-operating)
- Shock:
IEC 68 2-27
HDD: 20G@wall mount, half sine, 11ms
- Operating temperature: 0°C to 45°C
- Storage temperature: -20°C to 75°C
- Operating humidity: 20%~80% relative humidity, non-condensing
- Dimension: 529.7 x 321.2 x 63.3 mm
- Weight: 6.85 Kg

Certifications

- CE approval
- FCC Class A

Ordering Information

- **MPPC 2130P (P/N: 90IM2130P00X0)**
21.5" LED Backlight Panel PC with Intel® Atom™ D2550 1.86 GHz,
P-Cap touch screen, 2GB DDR3, COM#1/#2, Power Adapter