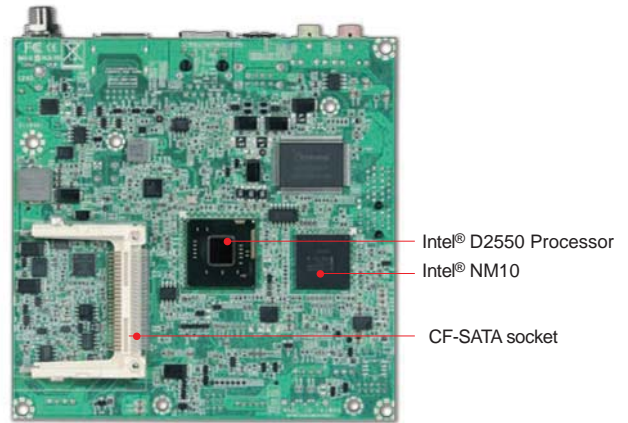
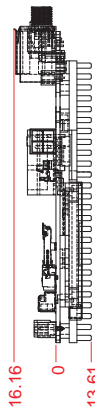
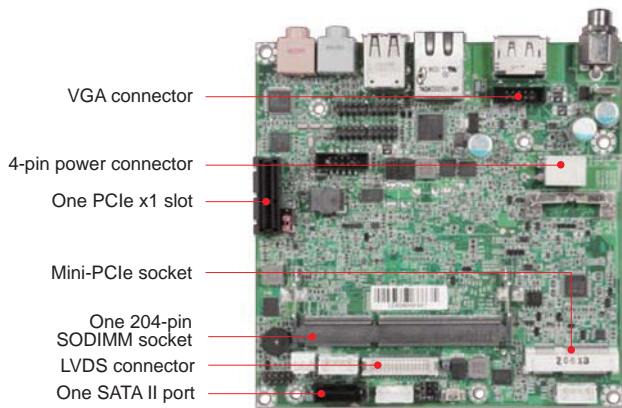




NANO-5050

Intel® Atom™ D2550/ N2800/ N2600 processor based NANO-ITX Board with dual display, Gigabit Ethernet, Audio, USB, CF-SATA and SATA

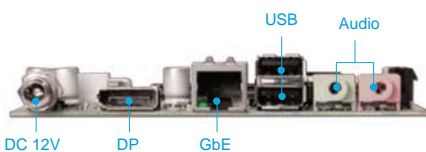


NANO-5050 adopts latest Intel® Atom™ D2550/ N2800/ N2600 CPU and NM10 chipset which is for the low power compact size system. The new archi-ecture integrates the 3D graphics engine and memory controller. It's suitable for Medical and Networking applications.

FEATURES

- Intel® Atom™ D2550 1.86GHz / N2800 1.86GHz/ N2600 1.6GHz CPU based on Intel® NM10 platform
- One 204-pin SODIMM supports DDR3 up to 4GB
- Multiple display by VGA, DP, single channel 24 bit LVDS
- Supports one CF-SATA socket and one SATA port
- One Mini-PCIe socket and PCIe x1 slot for expansion
- Supports DC 12V input

REAR/I/O



ORDERING GUIDE

AB1-3863	(R).NANO-5050. Nano-ITX ESB. Intel ATOM D2550 1.86GHz/ N2800 1.86GHz/ N2600 1.6GHz w/DDR3 SDRAM/VGA/LVDS/DP/GbE LAN/CF-SATA
-----------------	---

PACKING LIST

One NANO-5050 NANO-ITX Main Board
One passive Heatsink
One Installation CD

GENERAL

Processor	- Intel® Atom™ Processor D2550 (1.86GHz, 10W)/ N2800 (1.86GHz, 6.5W)/ N2600 (1.6GHz, 3.5W) with 1MB L2 Cache in FCBGA559 package - FSB: 400/533MHz - Supports Intel® Hyper-Threading Technology
Chipset	Intel® NM10 Express chipset
BIOS	Phoenix uFEI BIOS (SPI ROM)
Memory	Supports up to 4GB DDR3 800/1066 MHz SDRAM on one 204-pin SODIMM socket
Storage Devices	- 1x CF-SATA (supports CF and CF-SATA card) - 1x SATA supports 3Gb/s data transfer rate
Watchdog Timer	- Programmable via S/W from 1 sec. to 255 sec.
Hardware Monitoring	- Temperature (CPU & System) - Voltage (CPU Vcore, VBAT, 5VSB, 12V, 5V, 3.3V)
Expansion Interface	- 1x PCI Expressx1 slot (Gen 1, 2.5 GT/s) - 1x Mini-PCIe slot (Gen 1, 2.5 GT/s)

I/O INTERFACE

Super I/O	Winbond W83627DHG-PT
Audio	- Intel® NM 10 built-in High Definition Audio up to 96-kHz 24-bit - Realtek ALC886-GR HDA codec, 7.1+2 channels Audio Jack on rear I/O with Line-out and Mic-in
Ethernet	- Intel® 82583V Gigabit Ethernet controller - 1x RJ45 connector on rear I/O
Serial Port	1x RS232/422/485 on board connector
USB	- 2x USB 2.0 ports on rear I/O - 4x USB 2.0 ports on board with pitch 2.0 header - 480 Mb/s bus comprehends the high-speed/full-speed/low-speed data ranges
GPIO	On board programmable 8-bit Digital I/Os

DISPLAY

Graphic Controller	- Intel® Atom™ D2550 integrated Intel® GMA 3650 supports full hardware acceleration of video decode standards, such as DirectX 9
Display Interface	- LVDS: Single channel 24bit LVDS on board connector, resolution up to 1440x900 - CRT: One on-board DB-15 connector, resolution up to 1920x1200 (WUXGA) - DP: One DP port on rear I/O, resolution up to 2560x1600

Mechanical & Environment

Dimension	120(L) x 120(W)mm; 4.72"(L) x 4.72"(W)
Power Supply	DC-12V input
Environment	- Operation Temperature: 0°C to 55°C - Storage Temperature: -20°C to 85°C - Relative Humidity: 5% to 95%, non-condensing
MTBF	Over 120,000 hours at 40°C

