

# NPT 5850

High Performance Point-of-Sales 15" TFT LCD POS Terminal



## Main Features

- 15" 4:3 XGA (1024 x 768) TFT LCD panel
- 15" 5-wire resistive touch screen
- Intel® Core™ i3/i5/i7 mobile processor, 2.1GHz
- Support DDR3 1333 SO-DIMM memory
- 2.5" removable SATA HDD
- Powered COM(4), USB(4), printer port(1), VGA(1), GbE LAN(1), cash drawer(1)
- Front bezel complies with IP-65 protection standard
- Option kits for MSR/ Fingerprint/ VFD
- Optional VESA 100 x 100mm mounting for wall-mount application

## Product Overview

The NPT 5850 is a high performance Point-of-Sale (POS) hardware solution to fulfill your POS hardware requirement. The 2nd generation Intel® Core™ i3/i5/i7 mobile processor platform is a best choice for high-end POS hardware solution.

Removable HDD, MSR, fingerprint and VFD kit design provides an easy maintenance method and saving your service cost. The +12VDC output provides sufficient power for your 2<sup>nd</sup> display from POS terminal and offers better cable routing and high-integration for the 2<sup>nd</sup> display. Small footprint is ideal for installations where space is compact in stores. The VESA mounting design of display head, only 100x 100mm, provides another option for wall-mounting application when detaching the stand of terminal. The design offers a spill resistant and high integration for POS peripherals, which provides restaurant and retail conditions with continuous operation.

## Specifications

### Panel

- LCD Size: 15" , 4:3
- Resolution: XGA 1024 x 768
- Luminance: 250cd/m<sup>2</sup>
- Contrast ratio: 700
- LCD color: 16.2M
- Viewing angle: 80 (upper), 80 (lower), 85 (left), 85 (right)
- Backlight: CCFL
- Touch screen: 5-wire Resistive
- Touch light transmission: 80%
- Touch interface: USB

### System

- CPU: Intel® Core™ i3/i5/i7 mobile processor, 2.1GHz
- BIOS: AMI BIOS
- System chipset: Intel® HM65
- System memory: 1x 204-pin DDR3 1333 SO-DIMM socket, 2GB DDR3 (default), optional two sockets support up to 8GB DDR3 1333, non-ECC and un-buffered
- Hard disk drive: One 2.5" 160GB SATA HDD, removable type
- Expansion: 1x Mini-card socket for Mini-PCIe and USB interface

### Rear I/O

- USB: 4x USB2.0 port
- COM: 4x DB-9 powered RS-232 port, adjust RI/ 5V/ 12V by BIOS setting
- Ethernet: 1x RJ-45, 10/100/1000 Mbps
- VGA: 1x DB-15 2nd VGA port
- Cash drawer: 1x RJ-11 port, support two cash drawers (24V, Max 1.1A)
- Parallel: 1x DB-25 printer port
- Audio: 1x Line-out jack
- DC-IN: 1x +19VDC input, Mini-DIN 4Pin lock type
- DC-OUT: 1x +12VDC output for 2nd display power (12V, Max 3.0A)

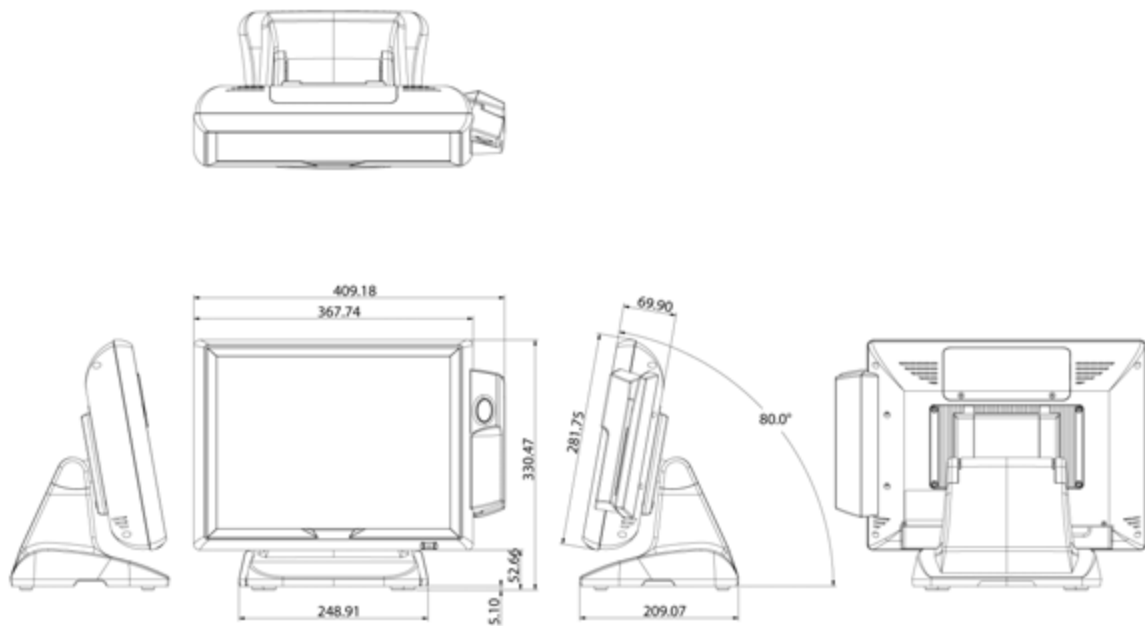
### Audio

- High Definition audio codec: Realtek ALC886-GR
- Internal audio: One 3W speaker
- External audio: Line-out audio jack

### Ethernet

- LAN chip: Intel® PHY WG82579LM Gigabit LAN
- Ethernet interface: 10/100/1000 Based-TX Ethernet compatible

## Dimension Drawing



### Mechanical & Environment

- Color: Dark Gray
- Mounting: desktop type, optional VESA 100 x 100mm wall-mount when detaching stand
- IP protection: front bezel complies with IP-65 protection standard
- Power input: +19VDC
- Power adapter: AC to DC power brick (+19VDC/ 6.315A, 120W)
- Operating temperature: 0°C to 40°C
- Storage temperature: -20°C to 60°C
- Operating humidity: 20%~80% relative humidity, non-condensing
- Dimension: 368mm (W) x 331mm (H) x 210mm (D) (No MSR), 410mm (W) x 331mm (H) x 210mm (D) (with MSR)
- Weight: 9.0kg
- Tilt angle: 0° ~ 80°

### Certifications

- CE approval
- FCC Class A

## Ordering Information

### ◆ NPT 5850-110 (P/N:A0Y00585002X0)

- CPU: Intel® Core™ i3/i5/i7 mobile processor, 2C/2T, 2.10 GHz, 2MB cache;
- LCD/ touch: 15" XGA 1024 x 768 250nits/ ELO 5-wire resistive touch;
- Memory: 2GB DDR3 SO-DIMM;
- HDD: 160GB 2.5" SATA 5,400rpm;
- Power: +19VDC/ 120W power brick