

OPPC 1720T

17" TFT SXGA 4:3 Fanless Panel PC with Intel® Atom™ D525,
1.8GHz, Touch Screen, 1GB DDR3, 4 x USB, 2 x COM and VGA



Main Features

- 4:3 17" Fanless Panel Computer
- Intel® Atom™ D525, Dual Core, Low Consumption CPU
- Dual GbE/ 2nd display-VGA/ Line-in/ Line-out/ MIC-in/ PS2 KB/MS
- 4 x USB/ 2 x mini-PCle sockets/ 1 x CF/ 2 x RS232/ 422/ 485
- DDR3 1GB / 2.5" HDD Bracket
- Optional Wi-Fi Module / 2.5" HDD / Panel Mount Kit
- Open Frame and Panel Mount/ VESA Mount Compliance
- Wide Range Power Input 12V~ 30V DC

Product Overview

OPPC 1720T fanless Panel PCs are powered by Intel® Atom™ D525 processor with Intel® ICH8M chipset and support for DDR3 memory. OPPC 1720T incorporates a 17" 4:3 touch screen LCD panel with resolutions up to 1280x1024 (SXGA) and 380 nits brightness. It is specially designed with bezel-less display which allows customers to design front bezel according to their application requirements without any limitation.

OPPC 1720T is designed to meet the requirements of vertical market segments, such as Kiosk, ATMs, and vending machines. Customers also benefit from various mounting options, including open frame mount from both rear and front sides, VESA mount, wall mount and panel mount. This versatility gives users a quick route to market for a customized Panel PC.

Specifications

Panel

- LCD Size: 17", 4:3
- Resolution: SXGA 1280x1024
- Luminance: 380cd/m2
- Contrast ratio: 1000
- LCD color: 16.7M
- Viewing Angle: 80(U), 80(D), 85(L), 85(R)
- Backlight: CCFL
- Touch screen: 5-wire resistive
- Touch light transmission: 80%
- Touch interface: USB

System

- CPU: Intel® Atom™ D525, 1.8Hz
- BIOS: AMI BIOS
- System chipset: Intel® ICH8M
- System memory:
 - 1x 204-pin DDR3 SO-DIMM socket, 1G DDR3 (Default), Support up to 2GB DDR3 800, Non-ECC and Un-buffered
- SSD: one external locked CF socket by IDE support Type I/II compact Flash card

- Hard drive bay: optional 2.5" SATA HDD or SATA DOM
- Watchdog timer: Watchdog timeout can be programmable by software from 1 second to 255 seconds and from 1 minute to 255 minutes (Tolerance 15% under room temperature 25°C)
- H/W status monitor: Monitoring system temperature, and voltage
- Expansion: 2x Mini-PCle sockets

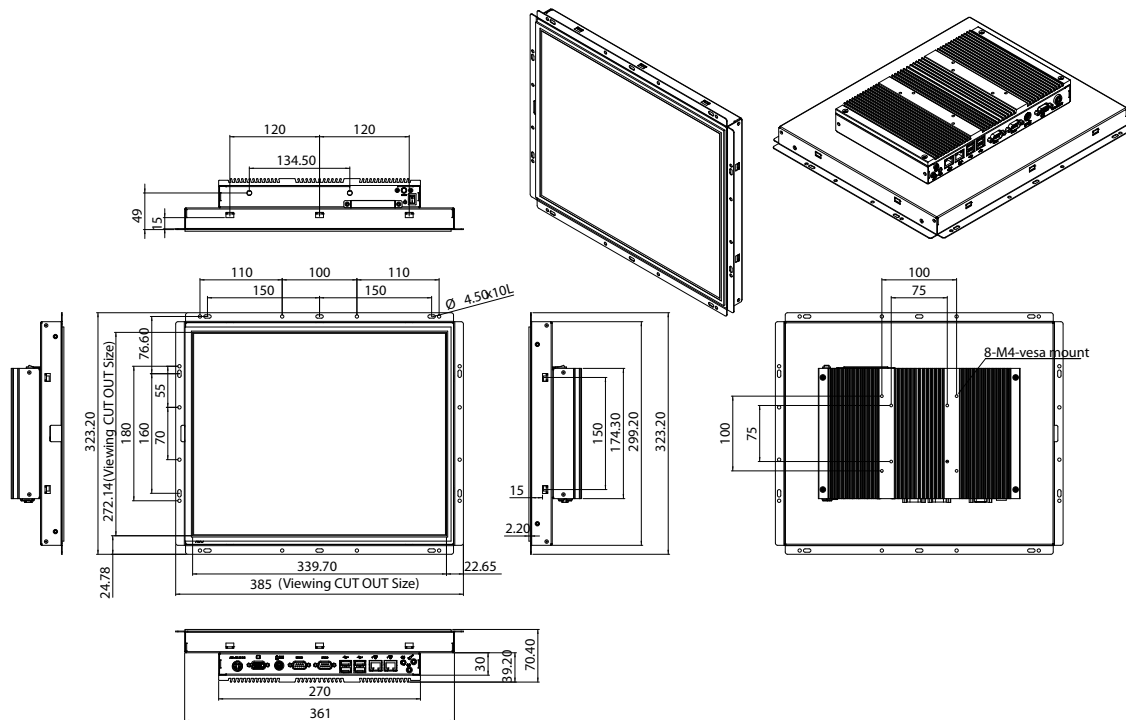
Rear I/O

- COM #1: RS232/422/485
- COM #2: RS232/422/485
- Ethernet: 2 x RJ45
- 2nd display VGA port: 1 x DB15
- Audio port: 1 x Line out; 1 x Line in; 1 x MIC-in
- USB: 4 x USB 2.0
- PS2 keyboard/ mouse
- Power switch
- Reset button

Audio

- AC97 codec: Realtek ALC888
- Audio interface: Line out/Line in/MIC-in Audio Jack

Dimension Drawing



Ethernet

- LAN chip: dual Intel® 82574L Gigabit LAN
- Ethernet interface: 10/100/1000 Based-Tx Ethernet compatible

Mechanical & Environment

- Front panel open frame
- Mounting:
 - Open frame mount
 - Panel/ wall/ stand/ VESA 75 x 75; 100mm x 100mm
- Power input: 12V~ 30V DC
- Power adapter: Optional AC to DC power adaptor (+12V, 60W)
- Vibration:
 - IEC 68 2-64 (w/ HDD)
 - 0.5Grms @sine, 5~500Hz, 1hr/axis (HDD Operating)
 - 2.2Grms @ random condition, 5~500Hz, 0.5hr/axis (Non-operating)
- Shock:
 - IEC 68 2-27
 - HDD: 20G@wall mount, half sine, 11ms
- Operating temperature: -5°C to 50°C
- Storage temperature: -20°C to 75°C
- Operating humidity: 20%~80% relative humidity, non-condensing
- Dimension: 385 x 323.2 x 70.4 mm
- Weight: 5.6 Kg

Certifications

- CE approval
- FCC Class A

Ordering Information

Barebone

- **OPPC 1720T (P/N: 90IQ1720T00X0)**

17" TFT Panel PC with Intel® Atom™ D525 1.8 GHz, touch screen, 1GB DDR3, COM#1/ #2

Options

- 12V, 60W AC/DC power adapter w/o power cord (P/N: 7400060002X00)