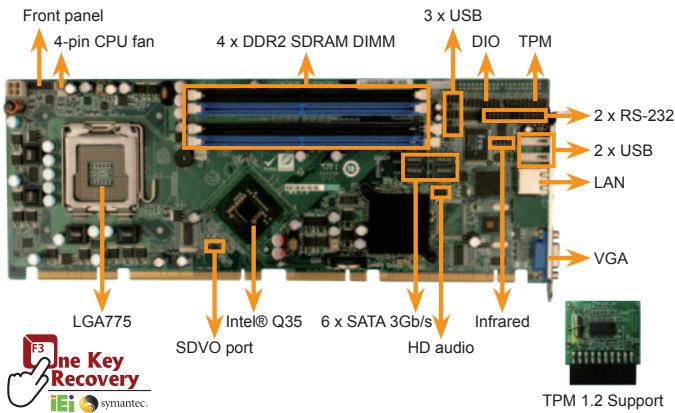


## PCIE-Q350-R13

Full-size PICMG 1.3 CPU card supports 45 nm LGA775 Intel® Core™2 Duo and Core™2 Quad processors with an 800 MHz, 1066 MHz or 1333 MHz FSB including Intel® Q35 GMCH, ICH9DO I/O controller hub, single Intel® GbE, SATA 3Gb/s with RAID and USB 2.0



### Features

1. PICMG 1.3 and RoHS compliant
2. Intel® Q35 & ICH9-DO platform
3. Supports 45nm LGA775 Intel® Core™2 Duo and Core™2 Quad processors
4. Six SATA 3Gb/s ports with Intel® Matrix Storage Technology supported
5. Intel® PCIe GbE
6. TPM 1.2 IT security solution supported
7. IEI One Key Recovery solution allows you to create rapid OS backup and recovery

### Specifications

- ◆ CPU: LGA775 Intel® Core™2 Quad, Core™2 Duo, Celeron® processors with an 800 MHz, 1066MHz and 1333MHz FSB
- ◆ System Chipset: Intel® Q35 + ICH9-DO
- ◆ BIOS: AMI BIOS
- ◆ System Memory: Four 240-pin 2GB (max.) 800 MHz, 667 MHz dual-channel DDR2 SDRAM DIMMs supported (system max. 8GB)
- ◆ Ethernet: LAN: Intel® 82573L GbE controller
- ◆ IO Interface: 2 x RS-232, 6 x SATA 3Gb/s (RAID 0, 1, 5 and 10), 1 x Keyboard and mouse connector, 12 x USB 2.0 (2 on bracket, six on SBC, four on backplane by pin header)
- ◆ Super I/O: ITE 8718F
- ◆ Digital I/O: 16-bit Digital I/O, 8-bit input/8-bit output
- ◆ Infrared interface: 1 x Infrared by pin header
- ◆ Audio: 10-pin on-board header connects to the IEI AC-KIT-892HD-R10 7.1 channel HD audio kit
- ◆ Graphics: Analog VGA output
- ◆ TPM 1.2: 1 x TPM connector (2x10 pin) (Trusted Platform Module)
- ◆ Watchdog Timer: Software programmable supports 1~255sec. system reset
- ◆ Power Supply: ATX
- ◆ Power Consumption: 3.3V@3.0A, 5V@5.1A, 5Vsb@0.28A, 12@4.23A (Intel® Core™2 Duo E6700 2.66 GHz at FSB 1066 MHz, 8 GB 667 MHz DDR2, 3DMark 2001)
- ◆ Operating Temperature: 0°C ~ 60°C (32°F ~ 140°F)
- ◆ Storage Temperature: -10°C ~ 70°C
- ◆ Operating Humidity: 5% ~ 95%, non-condensing
- ◆ Dimensions: 338 mm x 126 mm
- ◆ Weight: GW: 1.1 kg

### Packing List

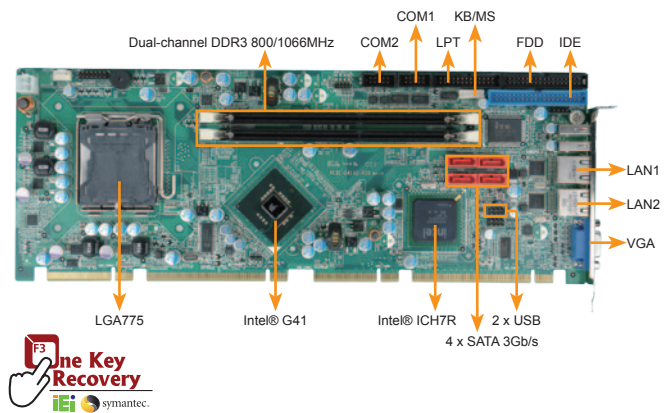
1 x PCIE-Q350 single board computer	1 x One Key Recovery CD
3 x SATA power cable (P/N: 32102-000100-200-RS)	1 x Mini jumper pack
1 x Dual RS-232 cable (P/N: 19800-000051-RS)	1 x Utility CD
6 x SATA cable (P/N: 32000-062800-RS)	1 x QIG
1 x USB cable (P/N: 19800-003100-300-RS)	

### Ordering Information

Part No.	Description
PCIE-Q350-R13	PICMG 1.3 CPU card supports Intel® 45nm LGA775 Core™2 Duo/Quad CPU at FSB 800/1066/1333 MHz, Intel® Q35 & ICH9DO platform, single Intel® GbE, SATA 3Gb/s with RAID, USB
AC-KIT-892HD-R10	7.1 channel HD audio kit with Realtek ALC892 supports dual audio streams
CF-520-RS-R11	High performance CPU cooler (115 mm x 115 mm x 67 mm, 115W)
CF-775A-RS	High performance CPU cooler (92 mm x 92 mm x 73 mm, 130W)
TPM-IN01-R11	20-pin Infineon TPM module, software management tool, firmware V3.17
SDVO-100VGA-R10	PCIe x16 VGA output SDVO card supports dual display (IEI CPU board only)
SDVO-100DVI-R10	PCIe x16 DVI output SDVO card supports dual display (IEI CPU board only)
19800-000075-RS	KB/MS cable with bracket

## PCIE-G41A2

Full-size PICMG 1.3 CPU card supports LGA775 Intel® Core™2 Quad processor, DDR3 with VGA, Dual PCIe GbE, SATA 3Gb/s, Audio, COM and USB 2.0, RoHS



### Features

1. PICMG 1.3 form factor
2. LGA775 Intel® Core™2 Extreme/Quad/Duo and Celeron® processor supports up to 1333 MHz FSB
3. Dual-channel DDR3 800/1066MHz supports up to 8 GB
4. High performance PCI Express Gigabit Ethernet controller
5. Four SATA 3Gb/s with Intel® Matrix Storage Manager support Raid 0, 1, 5 and 10
6. IEI One Key Recovery solution allows you to create rapid OS backup and recovery

### Specifications

- ◆ CPU: LGA775 45nm Intel® Core™2 Quad, Core™2 Duo, Pentium® D, Celeron® processors with 800/1066/1333MHz FSB
- ◆ System Chipset: Intel® G41 + ICH7R
- ◆ BIOS: AMI BIOS
- ◆ System Memory: Two 240-pin 4GB (max.) 800/1066MHz dual-channel DDR3 SDRAM DIMMs supported (System max. 8GB)
- ◆ Ethernet: Dual PCIe Realtek 8111CP GbE controller
- ◆ I/O Interface: 2 x RS-232, 1 x IDE, 1 x LPT, 1 x FDD, 1 x KB/MS by 6-pin header, 4 x SATA 3Gb/s with Intel® RAID 0, 1, 5 and 10, 8 x USB 2.0 (2 on bracket, 2 by pin header, 4 to backplane via golden finger)
- ◆ Digital I/O: 8-bit digital I/O, 4-bit input/4-bit output
- ◆ Infrared Interface: 1 x Infrared by 5-pin pin header
- ◆ Super I/O: ITE IT8718F
- ◆ Display Interface: Intel® GMA X4500, VGA display output up to 2048x1536
- ◆ Audio: 5.1 channel audio kit with Realtek ALC655 AC'97 codec, 7.1 channel HD audio kit with Realtek ALC888 codec supports dual audio streams
- ◆ Watchdog Timer: Software programmable supports 1~255 sec. system reset
- ◆ Power Supply: ATX Power
- ◆ Power Consumption: 3.3V@0.53A, 5V@6.2A, 12V@0.11A, Vcore\_12V@2.91A (Intel® Core™2 Duo E8500 3.16GHz at FSB 1333MHz CPU with two 2GB 1333MHz DDR3 memory)
- ◆ Operating Temperature: -10°C ~ 60°C
- ◆ Storage Temperature: -20°C ~ 70°C
- ◆ Operating Humidity: 5% ~ 95%, non-condensing
- ◆ Dimensions: 338 mm x 126 mm
- ◆ Weight: GW: 1100g

### Packing List

1 x PCIE-G41A2 single board computer	1 x One Key Recovery CD
4 x SATA cable (P/N: 32000-062800-RS)	1 x Mini jumper pack
1 x Dual RS-232 cable (P/N: 19800-000051-RS)	1 x Utility CD
1 x USB cable (P/N: 19800-003100-300-RS)	1 x QIG

### Ordering Information

Part No.	Description
PCIE-G41A2-R10	Full-size PICMG 1.3 CPU card supports LGA775 Intel® Core™2 Quad processor, DDR3 with VGA, Dual PCIe GbE, SATA 3Gb/s, Audio, COM and USB 2.0, RoHS
AC-KIT-892HD-R10	7.1 channel HD audio kit with Realtek ALC892 supports dual audio streams
AC-KIT08R-R10	5.1 channel AC'97 audio kit with Realtek ALC655
19800-000075-RS	6-pin wafer to PS/2 connector cable for keyboard and mouse
19800-000100-200-RS	4 ports USB cable with bracket
CF-775A-RS	CPU cooler for 130 W
CF-520-RS-R11	CPU cooler for 115 W
CF-775B-RS	1U CPU cooler for 90 W
32102-000100-200-RS	SATA power cable
32200-000017-RS	FDD cable
19800-000049-RS	LPT cable
32225-002000-200-RS	ATA66 IDE flat cable