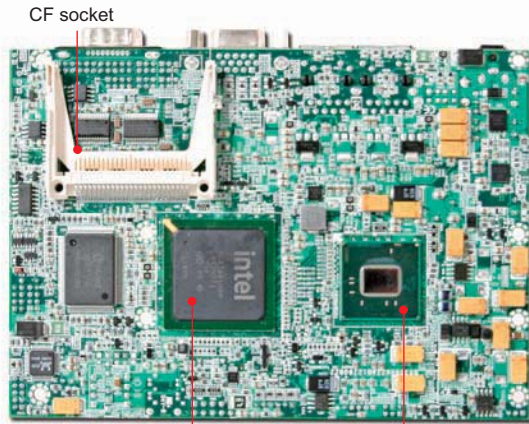




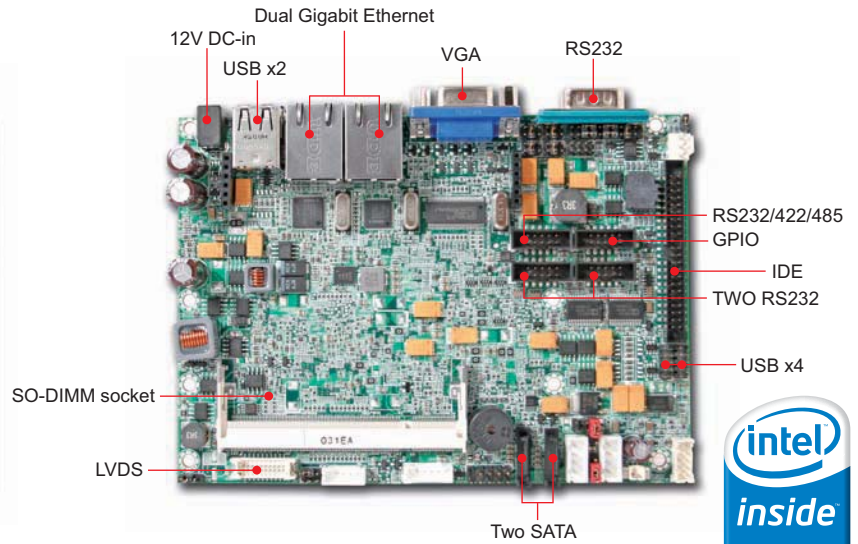
PEB-2770VG2A

3.5" Embedded size, Based on Intel® 45nm Low Power Pineview processor with DDR2 SODIMM, dual display by VGA/LVDS, Dual GbE, Audio, COM and USB



Intel® ICH8M

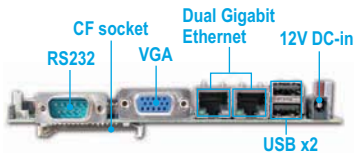
Intel® Atom™ D510



FEATURES

- Intel® Atom™ processor D510 and ICH8M chipset
- One 200-pin SO-DIMM support DDR2 667 SDRAM up to 2GB
- MPEG2 Decode in HW; independent display: VGA/ 18 bit LVDS
- Dual independent display: VGA/18bit LVDS
- Dual Gigabit Ethernet
- Customization (Extension card): BTB connector with PCIE x1 signal
- Storage: One PATA/One Compact Flash/Two SATA ports
- 12V DC input

REAR/I/O



PACKING LIST

- CPU heatsink x1
- Utility CD x1
- SATA cable x1
- SATA power cable x1

ORDERING GUIDE

Standard	PEB-2770VG2A 3.5" Embedded size, Based on Intel 45nm Low Power Pineview processor D510 with DDR2 SODIMM, Dual display by VGA/LVDS, Dual GbE, Audio, COM and USB
-----------------	---------------------------------------------------------------------------------------------------------------------------------------------------------------------------

OPTIONAL

Part No.	QTY	Description
B690004S	1	IDE Cable
B6901970	1	USB Cable
B7866130	1	COM Cable

SYSTEM

CPU	Intel® Atom™ processor D510
Chipset	Intel® ICH8M
System Memory	One 200-pin SO-DIMM support DDR2 667 up to 2GB
BIOS	AMI
SSD	Type II CompactFlash socket
Storage Devices	One 44-pin IDE connector and two SATA ports
Watchdog Timer	Programmable via S/W from 1sec. to 255min.
Expansion Interface	One connector with PCIE x1 signal for daughter board
Hardware Monitoring	- Temperature (CPU and System) - Voltage (CPU Vcore, VBAT, 5VSB, 12V, 5V, 3.3V)
Power Requirement	12V DC Input
Dimension	146(L) x 105(W) mm; 5.75"(L) x 4.0"(W)
Environment	Operation temperature: 0~60°C Storage temperature: -20~80°C Operation humidity: 5~95%, non-condensation

I/O

MIO	One IDE, two SATA ports, four serial ports: One DB9 & three box headers, one CF socket and one PCIE x1 header
Ethernet	Dual RJ45 Gigabit Ethernet
Audio	High Definition Audio with one Line-out/Mic-in header
USB	2 x USB 2.0 ports and 4 x USB 2.0 with header
Keyboard & Mouse	One K/B & M/S pin header

DISPLAY

Graphic Controller	Intel® Atom™ processor (D510) Integrated Intel® DX9 graphics
Graphic Memory	Intel® Dynamic Video Memory Technology 4.0
Display Interface	18bit LVDS/VGA