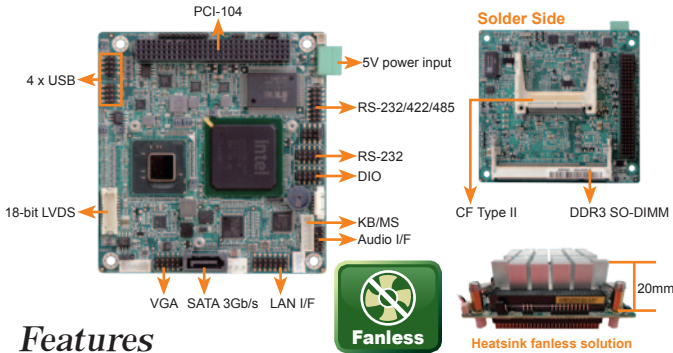


PM-PV-N4551/D5251-R11

PCI-104 SBC with Intel® Atom™ N455/D525, DDR3, VGA/LVDS, GbE, USB 2.0, SATA 3Gb/s and CF Type II, RoHS



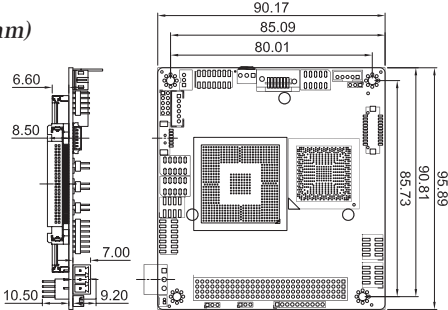
Features

1. Intel® Atom™ N455/D525 processor with DDR3 memory
2. Single 5V power input design, 12V for LCD/fan
3. Single-channel 18-bit LVDS/VGA output for display
4. Support two COM, four USB, SATA 3Gb/s and CF Type II socket
5. IEI One Key Recovery solution allows you to create rapid OS backup and recovery

Specifications

- ◆ CPU
 - Intel® Atom™ N455 single-core processor 1.66GHz/512KB L2 cache
 - Intel® Atom™ D525 dual-core processor 1.8GHz/1MB L2 cache
- ◆ Chipset
 - Intel® ICH8M
- ◆ BIOS
 - UEFI BIOS
- ◆ Memory
 - One 204-pin 800MHz DDR3 SDRAM SO-DIMM supported (system max. 4GB for D525)
 - One 204-pin 800MHz DDR3 SDRAM SO-DIMM supported (system max. 2GB for N455)
- ◆ Graphic
 - GMA 3150
 - Graphic core speed 400MHz for D525
 - Graphic core speed 200MHz for N455
- ◆ Display interface
 - Analog CRT up to 2048x1536 for D525, 1400x1050 for N455
 - Support for CRT hotplug
 - Single-channel 18-bit LVDS, resolution support up to WXGA 1366x768 or XGA 1024x768
- ◆ Ethernet
 - Intel® 82567V GbE Ethernet PHY
- ◆ Expansion
 - 1 x PCI-104 slot
- ◆ I/O Interface
 - 4 x USB 2.0
 - 1 x RS-232
 - 1 x RS-232/422/485
 - 1 x KB/MS
 - 1 x CF card slot
 - 1 x SATA 3Gb/s
- ◆ Digital I/O
 - 8-bit digital I/O, 4-bit input/4-bit output
- ◆ Audio
 - 7.1 channel HD Audio kit with Realtek ALC888 codec supports dual audio streams
- ◆ Watchdog Timer
 - Software programmable supports 1-255 sec. system reset by Super I/O
- ◆ Power Supply
 - 5V power input, AT/ATX support
- ◆ Super I/O
 - ITE IT8718F
- ◆ Power Consumption
 - 5V@3.31A (Intel® Atom™ D525 with 1GB DDR3)
 - 5V@2.39A (Intel® Atom™ N455 with 1GB DDR3)
- ◆ Operating Temperature: -10°C ~ 60°C
- ◆ Storage Temperature: -10°C ~ 70°C
- ◆ Operating Humidity
 - 5% ~ 95%, non-condensing
- ◆ Dimensions
 - 96mm x 90mm

Dimensions (mm)



Packing List

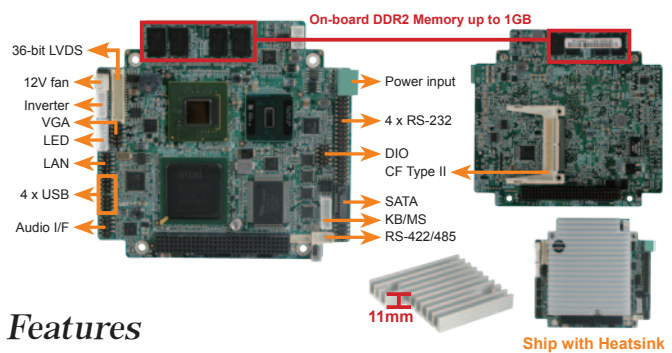
1 x PM-PV-N4551/D5251 single board computer	
1 x PS/2 KB/MS cable (P/N: 32000-023800-RS)	
1 x Dual-port USB cable (P/N: 32000-070301-RS)	1 x SATA cable (P/N: 32000-062800-RS)
1 x LAN cable (P/N: 32013-000400-200-RS)	1 x One Key Recovery CD
1 x Power cable (P/N: 32100-130300-RS)	1 x Mini jumper pack
1 x RS-232 cable (P/N: 32200-000049-RS)	1 x Utility CD
1 x VGA cable (P/N: 32000-033804-RS)	1 x QIG

Ordering Information

Part No.	Description
PM-PV-D5251-R11	PCI-104 SBC with Intel® Atom™ D525 1.8GHz, DDR3, VGA/LVDS, GbE, USB 2.0, SATA 3Gb/s and CF Type II, RoHS
PM-PV-N4551-R11	PCI-104 SBC with Intel® Atom™ N455 1.66GHz, DDR3, VGA/LVDS, GbE, USB 2.0, SATA 3Gb/s and CF Type II, RoHS
32200-026500-RS	RS-232/422/485 cable
32102-000100-200-RS	SATA power cable
AC-KIT-892HD-R10	7.1 channel HD Audio kit with Realtek ALC888 supports dual audio streams
CF-PV4010-R10	CPU fan (40mm x 40mm x 10mm)

PM-945GSE

PCI-104 SBC with Intel® Atom™ 1.6GHz CPU, VGA/LVDS, LAN, USB, SATA, four COM and on-board 1GB memory



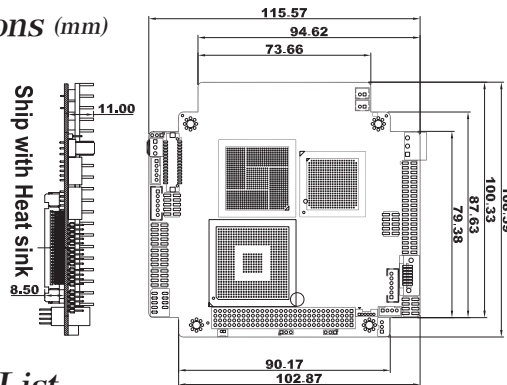
Features

1. Intel® Atom™ N270 1.6GHz CPU for ultra low voltage fanless support
2. Single 5V power input design, 12V for LCD/fan
3. 18-bit dual-channel LVDS plus VGA support dual independent display
4. On-board memory supports up to 1GB
5. Support four COM, four USB 2.0, one SATA and CF Type II socket
6. Low profile heat sink design
7. IEI One Key Recovery solution allows you to create rapid OS backup and recovery

Specifications

- ◆ CPU
 - Intel® Atom™ processor N270 1.6GHz with a 533Mhz FSB
- ◆ System Chipset
 - Intel® 945GSE/ICH7-M
- ◆ BIOS
 - AMI BIOS
- ◆ Memory
 - On-board 1GB DDR2 SDRAM supported
- ◆ Ethernet
 - One Realtek 8102E PCIe 10/100Mbps chipset
- ◆ I/O Interface
 - 4 x USB 2.0
 - 1 x PS/2 for KB/MS
 - 4 x RS-232
 - 1 x RS-422/485 (share with COM2)
 - 1 x SATA
 - 1 x CF Type II
- ◆ Digital I/O
 - 8-bit digital I/O (4-bit input, 4-bit output)
- ◆ Expansion
 - PCI-104
- ◆ Power Supply
 - 5V only, 12V for LCD/fan, AT/ATX support
- ◆ Super I/O
 - Fintek F81865
- ◆ Audio
 - 5.1 channel audio kit with Realtek ALC655 AC'97 codec
 - 7.1 channel HD Audio kit with Realtek ALC888 codec supports dual audio streams
- ◆ Display Interface
 - Intel® Graphics Media Accelerator 950
 - VGA integrated in Intel® 945GSE
 - 18-bit dual-channel LVDS integrated in Intel® 945GSE
- ◆ Watchdog Timer
 - Software programmable 1-255 sec. by super I/O
- ◆ Power Consumption
 - 5V@2.6A (Intel® Atom™ N270 1.6GHz, 1GB DDR2)
- ◆ Operating Temperature
 - 0°C ~ 60°C (32°F ~ 140°F)
- ◆ Storage Temperature
 - 10°C ~ 70°C
- ◆ Operating Humidity
 - 5% ~ 95%, non-condensing
- ◆ Dimensions: 108.59mmx116mm (4.275"x4.55")
- ◆ Weight: GW: 650g/NW: 250g

Dimensions (mm)



Packing List

1 x PM-945GSE single board computer		
1 x Quad RS-232 cable (P/N: 32205-002000-100-RS)		
1 x KB/MS cable (P/N: 32000-023800-RS)	1 x SATA cable (P/N: 32000-062800-RS)	
1 x LAN cable (P/N: 32013-001700-100-RS)	1 x One Key Recovery CD	
1 x Power cable (P/N: 32100-130300-RS)	1 x Mini jumper pack	
1 x VGA cable (P/N: 32000-033804-RS)	1 x Utility CD	1 x QIG
2 x Dual USB cable (P/N: 32000-070301-RS)		

Ordering Information

Part No.	Description
PM-945GSE-N270-R10	PCI-104 SBC with Intel® Atom™ 1.6GHz CPU, VGA/LVDS, LAN, USB, SATA, four COM and on-board 1GB memory
32205-003800-300-RS	RS-422/485 cable
32102-000100-200-RS	SATA power cable
32102-022100-100-RS	ATX power cable
AC-KIT08R-R10	5.1 channel AC'97 audio kit with Realtek ALC655 codec
AC-KIT-892HD-R10	7.1 channel HD Audio kit with Realtek ALC888 codec supports dual audio streams