

19" Industrial Panel PC

**PPC-5190A-H61**

Intel® Core™ i7/ i5/ i3, Pentium® and Celeron® Processor



**PPC-5190A/9455**

Intel® Core™2 Duo Processor with Intel® 945G Platform



- High brightness TFT-LCD panel with LED backlight
- Multiple storage options: 2.5" SATA HDD, CF slot, and mSATA
- Dual Ethernet provides continuous network service and allows sharing among different workgroups in two different subnets
- Optional PCI / PCIe x1 expansion slot
- Optional slim type CD-ROM drive bay
- Robust aluminum front bezel and metal casing
- IP 66 compliant front panel for PPC-5190A-H61
- IEI One Key Recovery solution allows you to create rapid OS backup and recovery (Over 4GB storage capacity)



Specifications

Model		PPC-5190A-H61	PPC-5190A/9455
Display	LCD Size	19"	
	Max Resolution	1280(W) x 1024(H)	
	Brightness (cd/m <sup>2</sup> )	350	300
	Contrast Ratio	1000 : 1	700 : 1
	LCD Color	16.7M	
	Pixel Pitch (mm) (HxV)	0.294(H) x 0.294(V)	
	Viewing Angle (V/H)	160°/ 170°	
Backlight MTBF (hrs)	50,000		
Touch	Touch Screen	Resistive Type 5-Wire with RS-232 interface	
	Touch Controller	DMC 9000	DMC 9000
Motherboard	SBC	POS-H61	POS-9455
	CPU	2nd/3rd Generation Intel® Core™ i7/ i5/ i3, Pentium® and Celeron® processor	LGA 775 Socket with Intel® Core™2 Duo, Celeron® D processor with 533/800/1066 MHz
	Chipset	Intel® H61	Intel® 945G + ICH7R
	RAM	Two 204-pin DDR3 SO-DIMM slots (Max. 16GB)	Two 240-pin DIMM sockets, supporting DDR2 400/533/667MHz modules (Max. 4GB)
	Ethernet	Realtek RTL8111E PCIe GbE controller supporting ASF 2.0	Realtek RTL8111CP GbE controller
	Audio Codec	Realtek ALC662 audio codec	Realtek ALC888 audio codec
I/O Ports and Switches		4 x RS-232 COM Port 1 x RS-232/422/485 Port 2 x RJ-45 for LAN Port 6 x USB 2.0, 2 x USB 3.0 on rear 1 x VGA Port	2 x PS/2 mouse and keyboard interface 1 x Power Switch 1 x AT / ATX Switch 1 x LPT
		1 x Audio (Line-out, MIC-in) 2 x SFP Fiber LAN 1 x Power Switch 1 x AT / ATX Switch 1 x PCI/PCIe Slot	
			4 x RS-232 1 x RS-232/422/485 Port 2 x RJ-45 for LAN Port 6 x USB 2.0 1 x VGA Port 1 x Line-in, 1 x Line-out, 1 x Mic-in
			2 x PS/2 mouse and keyboard interface 1 x Power Switch 1 x AT / ATX Switch 1 x LPT
Drive Bay	HDD Driver Bay	1 x 2.5" SATA HDD bay with anti-shock	1 x 2.5" SATA HDD bay with anti-shock
	SSD	CF Type II, mSATA	CF Type II
	CD-ROM Driver Bay	Slim Type CD-ROM Bay	SATA Slim Type CD-ROM Bay
Expansion Slot		Either 1 x PCI slot or 1 x PCIe slot	Either 1 x PCI or PCIe x1 expansion slot (optional)
		1 x PCIe Mini card	1 x PCIe Mini card
Physical	Front Panel Construction	Aluminum	
	Chassis Construction	Heavy-duty Steel	
	Mounting	Panel, Wall, Rack, Stand and Arm VESA 100mm x 100mm	
	Front Panel Color	Silver (Pantone 8001C)	
	Dimensions (WxHxD) (mm)	482 x 399 x 115	483 x 399 x 115.2
	Cut Out Dimensions (WxH) (mm)	450 x 363	450 x 363
	Net / Gross Weight	12.6 Kg / 18.2 Kg	12.6 Kg / 18.2 Kg
Environment	Operating Temperature	-10°C ~ 50°C	-10°C ~ 50°C
	Storage Temperature	-20°C ~ 60°C	-20°C ~ 60°C
	System Cooling	Active with Fan	
	Vibration	5~17Hz, 0.1 double amplitude displacement 17~640Hz 1.5G acceleration peak to peak	
	Shock	10G acceleration part to part (11ms)	
	IP Rating	Front IP66 Compliant	Front IP 65 Compliant
Power Supply	AC Input	AC Input ATX power supply - P/N: 63000-ACEA622A166-RS - 220W power supply - Input: 90VAC~264VAC, 50/60Hz - Output(max.): 3.3V@14A, 5V@16A, 12V@10A, -12V@0.8A	P/N: 63000-ACEA622APPC-RS- 220W Power Supply - Input: 90VAC~264VAC, 50/60Hz - Output(max.): 3.3A@14A, 5V@16A, 12V@10A, -12V@0.8A
	DC Input	DC Input ATX power supply - P/N: ACE-4520C-RS - 200W power supply - Input: 24 VDC(18~36 VDC) - Output(max.): 3.3V@12A, 5V@12A, 12V@15.4A, -12V@0.5A	P/N: ACE-4520C-RS - 200W Power Supply - Input: 24VDC, 50/60Hz - Output (max.): 3.3A@12A, 5V@12A, 12V@15.4A, -12V@0.5A

## Ordering Information

Part No.	Description
<b>Intel® H61 Platform</b>	PPC-5190A-H61-P/R-R10 19" 350 cd/m <sup>2</sup> SXGA Panel PC with POS-H61, Pentium Dual Core G6xxT (Above 2.2GHz), TDP 35W, 2GB DDR3 RAM*2, Silver color, PSU ACE-A622A, touch screen, RoHS
	PPC-5190AD-H61-P/R-R10 19" 350 cd/m <sup>2</sup> SXGA Panel PC with POS-H61, Pentium Dual Core G6xxT (Above 2.2GHz), TDP 35W, 2GB DDR3 RAM*2, Silver color, PSU ACE-4520C, touch screen, RoHS
	PPC-5190A-H61-i3/R-R10 19" 350 cd/m <sup>2</sup> SXGA Panel PC with POS-H61, Core i3 Dual Core 2xxxT CPU (Above 2.5GHz), TDP 35W, 2GB DDR3 RAM*2, Silver color, PSU ACE-A622A, touch screen, RoHS
	PPC-5190AD-H61-i3/R-R10 19" 350 cd/m <sup>2</sup> SXGA Panel PC with POS-H61, Core i3 Dual Core 2xxxT CPU (Above 2.5GHz), TDP 35W, 2GB DDR3 RAM*2, Silver color, PSU ACE-4520C, touch screen, RoHS
	PPC-5190A-H61-i5/R-R10 19" 350 cd/m <sup>2</sup> SXGA Panel PC with POS-H61, Core i5 Dual Core 2xxxT CPU (Above 2.7GHz), TDP 35W, 2GB DDR3 RAM*2, Silver color, PSU ACE-A622A, touch screen, RoHS
	PPC-5190AD-H61-i5/R-R10 19" 350 cd/m <sup>2</sup> SXGA Panel PC with POS-H61, Core i5 Dual Core 2xxxT CPU (Above 2.7GHz), TDP 35W, 2GB DDR3 RAM*2, Silver color, PSU ACE-4520C, touch screen, RoHS
<b>Intel® 945G Platform</b>	PPC-5190A-R11/9455-E2160/A622A/T-R/1GB 19" 450 cd/m <sup>2</sup> SXGA panel PC with POS-9455 R11 version, Pentium® Dual-Core E2160 1.8GHz CPU, 1GB DDR2 RAM, Silver color, PSU ACE-A622A, touch screen, RoHS
	PPC-5190A-R11/9455-E2160/4520C/T-R/1GB 19" 450 cd/m <sup>2</sup> SXGA panel PC with POS-9455 R11 version, Pentium® Dual-Core E2160 1.8GHz CPU, 1GB DDR2 RAM, Silver color, PSU ACE-4520C, touch screen, RoHS
<b>Riser Card</b>	PCIR-01H-R10 1-Slot PCI riser card
	PCIER-101H-R10 1-Slot PCIe x 1 riser card

PCIER-101H-R10



PCIe x4 slot with PCIe x1 signal riser card

PCIR-01H-R10



One-slot PCI riser card

## Packing List

Item	Part No.	Description
User's Manual CD-ROM		
SATA CD-ROM Cable	32803-000300-100-RS	SLIMLINE SATA 7+6 P TO SATA 7P /4P POWER ,L=200/150mm.
Power Cord	32000-000002-RS	EUROPEAN Standard ,1830MM, PLUG(16A 250V), CONNECTOR(10A 250V)
Panel Mount Kit	19Z00-000024-RS	
Wall Mount Kit	41020-016102-00-RS	
IEI One Key Recovery CD	IEI-7B000-000478-RS	
Touch Pen		

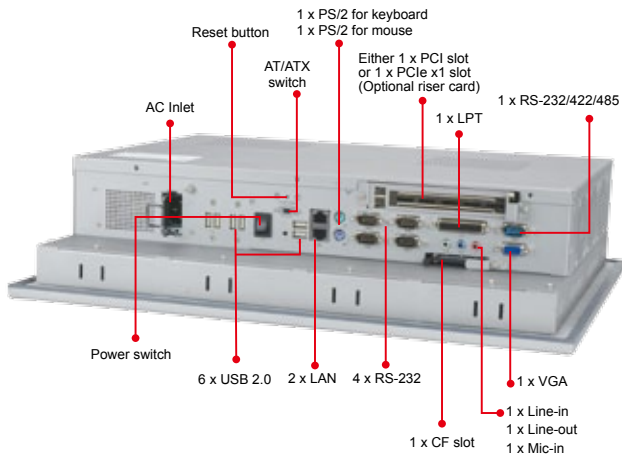
## IQ Mounting Options

Item	Part No.
Rack Mount Kit	RK-190MS-R10
ARM	ARM-31-RS
STAND	STAND-210-R11

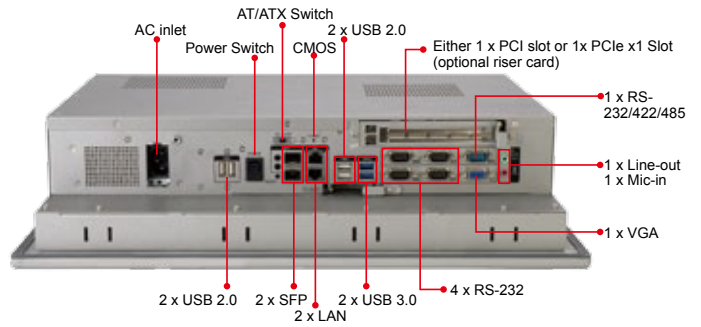
## Options

Part Number	Description
19Z00-000112-RS	IDE CD-ROM Installation Kit (W/O IDE cable)
41019-0393C0-00-RS	IDE HDD Bracket
32200-000037-RS	25cm HDD IDE Cable
PPC-WL-KIT03-R10	Wi-Fi module with RF cable and antenna, 2T2R, 802.11 b/g/n for PPC-5190A-H61
73400-AD7760H01-RS	Slim type SATA DVD-ROM

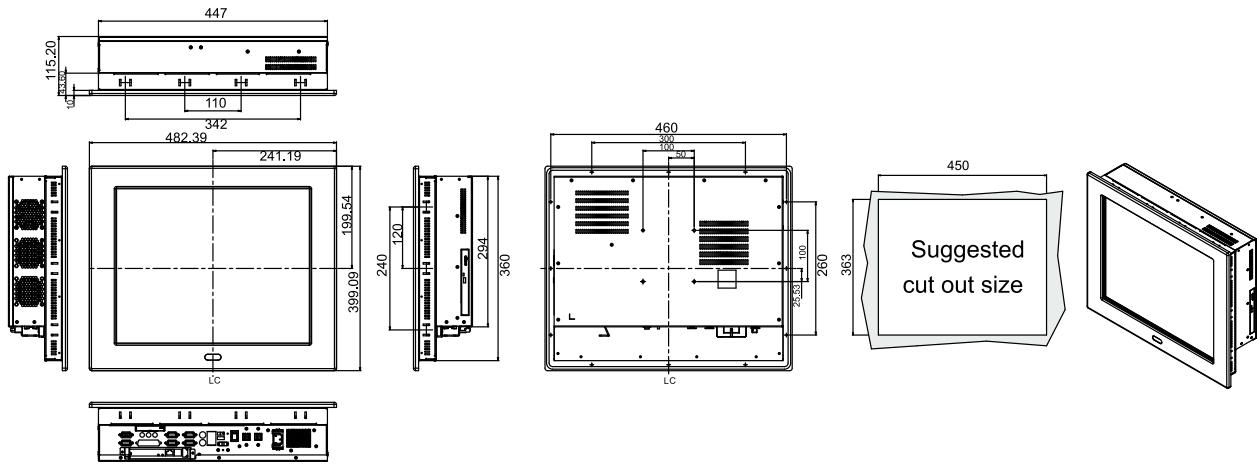
**PPC-5190A**  
Fully Integrated I/O



**PPC-5190A-H61**  
Fully Integrated I/O



**PPC-5190A**  
Dimensions (Unit: mm)



**PPC-5190A-H61**  
Dimensions (Unit: mm)

