

Open Frame Type Switching Power Supply**FEATURES**

- Universal AC input range
- 100% Burn-in and Hi-pot tested
- 2 year warranty

ELECTRICAL SPECIFICATIONS

- Input range : 90 - 264VAC
- Frequency : 47 - 63Hz
- Inrush current : < 50A peak @230VAC cold start @25°C
- Input current (rms) : 2.0A @115VAC; 1.0A @230VAC max.
- Efficiency : > 70% typical @full load, 115VAC
- Maximum output power (Po) : 44Watts
- Hold-up time : > 16ms typical @full load, 115VAC
- Short circuit protection : Auto-recovery
- Over load protection : 110% to 160% maximum rating, Auto-recovery

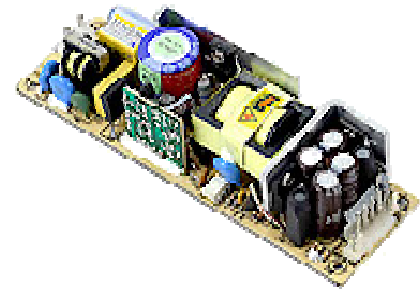
ENVIRONMENTAL

- Operating temperature : 0 to +60°C (Derate linearly 2.5% per °C from 41 to 60°C)
- Storage Temperature: -10 to +70°C
- Humidity: Non-Condensing 10% to 95%.
- MTBF : > 80,000 hours @full load and 25°C ambient temperature

DC OUTPUT & FEATURES

Model No.	Output Voltage	Minimum Load	Maximum Load	O/P Regulation	Po	Ripple & Noise(Vp-p)
PW-45A001	+5V	0.5A	4A	±5%	44W	50mV
	+12V	0.1A	2A	±5%		120mV

- Note:**
1. At 25°C including initial tolerance, line voltage, load currents and output voltages adjusted to factory settings.
 2. Ripple and noise are measured at oscilloscope 20MHz bandwidth by a 10uF electrolytic capacitor and a 0.1uF ceramic capacitor in parallel at output connector.



RoHS compliant

Dimension : L150 × W45 × H33 mm (5.9" × 1.77" × 1.3")

Weight : 0.17 kgs (0.37 lbs.)

SAFETY STANDARDS

UL 60950-1

CSA C22.2-No.60950-1

TUV EN60950-1

EMC STANDARDS

FCC Class B (meet)

CISPR22 Class B (meet)

EN 55022 Class B (meet)

CE (meet)



POWER-WIN TECHNOLOGY CORP.

5F-6, No. 79, Sec. 1, Hsin-Tai 5th Road, Shi-Chi, New Taipei City, 22101 Taiwan, R.O.C.

Tel : 886-2-26983989(Rep) Fax : 886-2-26983978

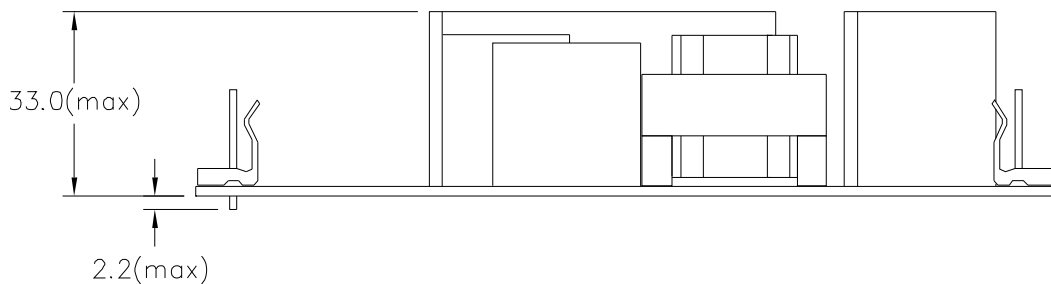
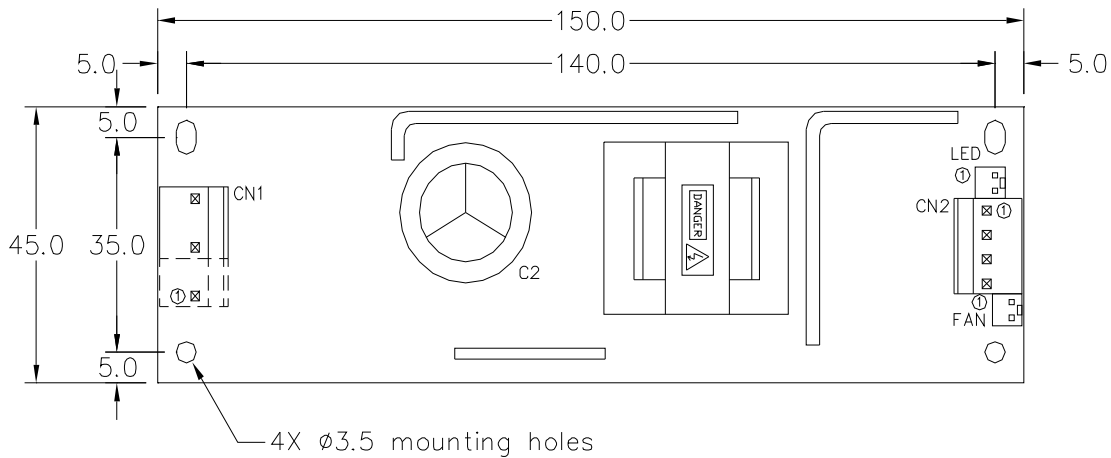
http : //www.power-win.com

E-Mail : sales@power-win.com

REV. 1.1

Open Frame Type Switching Power Supply

MECHANICAL SPECIFICATION



MATCHING CONNECTORS

CN1: Input Connector

molex 09-65-2039 pitch: 7.92mm or equivalent, mates with female housing molex 09-52-4034 or equivalent

Pin #	Signal
1	F.G.
2	AC Neutral
3	AC Line

FAN: DC Fan Connector

molex 22-27-2021 pitch: 2.54mm or equivalent, mates with female housing molex 22-01-2025 or equivalent

Pin #	Signal
1	GND
2	+12V

CN2: Output Connector

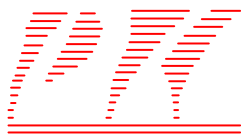
molex 09-65-2049 pitch: 3.96mm or equivalent, mates with female housing molex 09-52-4044 or equivalent

Pin #	Signal
1	+12V
2	GND
3	GND
4	+5V

LED: LED Connector

molex 22-27-2021 pitch: 2.54mm or equivalent, mates with female housing molex 22-01-2025 or equivalent

Pin #	Signal
1	LED+
2	LED-



POWER-WIN TECHNOLOGY CORP.

5F-6, No. 79, Sec. 1, Hsin-Tai 5th Road, Shi-Chi, New Taipei City, 22101 Taiwan, R.O.C.

Tel : 886-2-26983989(Rep) Fax : 886-2-26983978

http : //www.power-win.com

E-Mail : sales@power-win.com

REV. 1.1