



**ADLINK**  
TECHNOLOGY INC.

# **PCI-7856**

Master-Slave Distributed Motion  
and I/O Master Controller

## **User's Manual**

**Manual Revision:** 2.00

**Revision Date:** August 4, 2009

**Part Number:** 50-11163-1000



Recycled Paper

**Advance Technologies; Automate the World.**



# Table of Contents

<b>Table of Contents</b> .....	<b>iii</b>
<b>List of Figures</b> .....	<b>v</b>
<b>List of Tables</b> .....	<b>vii</b>
<b>1 Introduction</b> .....	<b>1</b>
1.1 Specifications.....	3
1.2 Supported Software .....	4
<b>2 Installation</b> .....	<b>5</b>
2.1 Package Contents .....	5
2.2 PCI-7856 Outline Drawing .....	6
2.3 Software Driver Installation.....	7
2.3.1 Troubleshooting .....	7
2.4 Signal Connection.....	8
2.4.1 PCI-7856 Connection with HSL and MNET Slave Modules .	8
2.4.2 RJ45 Pin Assignment and LED Indicator.....	9
<b>3 Motionnet Master-Slave Motion System</b> .....	<b>11</b>
3.1 MNET System Specifications .....	13
3.1.1 Wiring Cable .....	14
3.1.2 MNET System Communication.....	15
3.2 MNET Motion Modules .....	17
3.2.1 Single Axis Motion Modules.....	18
<b>4 HSL Slave Modules</b> .....	<b>25</b>
4.1 HSL Slave I/O Module .....	26
4.1.1 Discrete I/O Module .....	26
4.1.2 Analog I/O Module .....	27
4.2 General Specifications .....	28

4.2.1	Digital I/O Module .....	28
4.2.2	Analog I/O Module .....	29
4.2.3	DIP Switch Setting .....	30
4.2.4	Wiring Diagram .....	31
4.2.5	Terminal Base Motion Control Module.....	38
4.2.6	HSL-HUB/Repeater .....	44
4.2.7	Managing Slave Index in an HSL Network .....	48
<b>5</b>	<b>MotionCreatorPro 2 .....</b>	<b>53</b>
5.1	Execute MotionCreatorPro 2.....	54
5.2	About MotionCreatorPro 2 .....	54
5.3	MotionCreatorPro 2 Form Introducing .....	55
5.3.1	Main Window .....	55
5.3.2	HSL Distributed I/O Manager.....	58
5.3.3	Motionnet Distributed Motion Manager .....	60
5.4	Return Error Code.....	69
<b>6</b>	<b>Scan Time Table.....</b>	<b>71</b>
6.1	Full Duplex Mode .....	71
<b>7</b>	<b>HSL-HUB/Repeater Information.....</b>	<b>73</b>
7.1	Transfer Rates .....	73
7.2	Scan time table .....	73

## List of Figures

Figure 1-1: PCI-7856 Block Diagram .....	2
Figure 2-1: PCI-7856 Mechanical Drawing .....	6
Figure 2-2: LED Indicators on the PCI-7856 .....	10
Figure 3-1: Overview of an MNET Distributed Motion Control System .....	12
Figure 3-2: MNET-4XMO-(C) Mechanical Diagram .....	19
Figure 3-3: Outline of the MNET-J3 Assembly with MR-J3 Servo Driver .....	20
Figure 3-4: Outline of MNET-MIA Assembly with a MINAS A4 Servo Driver .....	21
Figure 3-5: Outline of MNET-S23 Assembly with a Sigma II, III & V Servo Driver .....	22
Figure 4-1: HSL System Configuration .....	45

This page intentionally left blank.

## List of Tables

Table 3-1: MNET Specifications .....	13
Table 3-2: MNET Motion Module Series.....	17
Table 4-1: HSL Discrete I/O Module Series.....	26
Table 4-2: HSL Discrete I/O Module Selection Guide.....	26
Table 4-3: HSL Analog I/O Module Series.....	27
Table 4-4: HSL Analog I/O Module Selection Guide.....	27
Table 4-5: Digital I/O Module .....	28
Table 4-6: Analog I/O Module .....	29

This page intentionally left blank.



# Preface

## Copyright 2009 ADLINK TECHNOLOGY INC.

This document contains proprietary information protected by copyright. All rights are reserved. No part of this manual may be reproduced by any mechanical, electronic, or other means in any form without prior written permission of the manufacturer.

## Disclaimer

The information in this document is subject to change without prior notice in order to improve reliability, design, and function and does not represent a commitment on the part of the manufacturer.

In no event will the manufacturer be liable for direct, indirect, special, incidental, or consequential damages arising out of the use or inability to use the product or documentation, even if advised of the possibility of such damages.

## Trademarks

Borland® C/C++ and Delphi® are registered trademarks of the Borland Software Corporation. Intel® is a registered trademark of Intel Corporation. LabVIEW™ is a trademark of National Instruments Corporation. Linux® and the Linux® Logo are registered trademarks of Linus Torvalds. MATLAB® and the MATLAB Logo are registered trademarks of The MathWorks, Inc. Microsoft®, MS-DOS®, Windows® 95, Windows® 98, Windows NT®, Windows® 2000, Windows® 2003 Server®, Windows® XP, Windows Vista®, ActiveX®, Visual Studio®, Visual Basic®, Visual C#®, and Visual C++® are registered trademarks of Microsoft Corporation. PCI™, CompactPCI®, and PCI Express®, are registered trademarks of the Peripheral Component Interconnect Special Interest Group (PCI-SIG). PXI™ is a trademark of the PXI systems Alliance. VEE™ is a trademark of Agilent.

Product names mentioned herein are used for identification purposes only and may be trademarks and/or registered trademarks of their respective companies.

## Getting Service

Contact us should you require any service or assistance.

### **ADLINK Technology Inc.**

Address: 9F, No.166 Jian Yi Road, Chungho City,  
Taipei County 235, Taiwan  
台北縣中和市建一路 166 號 9 樓

Tel: +886-2-8226-5877  
Fax: +886-2-8226-5717  
Email: [service@adlinktech.com](mailto:service@adlinktech.com)

### **Ampro ADLINK Technology Inc.**

Address: 5215 Hellyer Avenue, #110, San Jose, CA 95138, USA  
Tel: +1-408-360-0200  
Toll Free: +1-800-966-5200 (USA only)  
Fax: +1-408-360-0222  
Email: [info@adlinktech.com](mailto:info@adlinktech.com)

### **ADLINK Technology Beijing**

Address: 北京市海淀区上地东路 1 号盈创动力大厦 E 座 801 室  
(100085)  
Rm. 801, Power Creative E, No. 1, B/D  
Shang Di East Rd., Beijing 100085, China

Tel: +86-10-5885-8666  
Fax: +86-10-5885-8625  
Email: [market@adlinktech.com](mailto:market@adlinktech.com)

### **ADLINK Technology Shanghai**

Address: 上海市漕河泾高科技开发区钦江路 333 号 39 幢 4 层  
(200233)

Tel: +86-21-6495-5210  
Fax: +86-21-5450-0414  
Email: [market@adlinktech.com](mailto:market@adlinktech.com)

### **ADLINK Technology Shenzhen**

Address: 深圳市南山区科技园南区高新南七道 数字技术园  
A1 栋 2 楼 C 区 (518057)  
2F, C Block, Bld. A1, Cyber-Tech Zone,  
Gao Xin Ave. Sec 7, High-Tech Industrial Park S.,  
Shenzhen, 518054 China

Tel: +86-755-2643-4858  
Fax: +86-755-2664-6353  
Email: [market@adlinktech.com](mailto:market@adlinktech.com)

**ADLINK Technology Inc. (German Liaison Office)**

Address: Nord Carree 3, 40477 Duesseldorf, Germany  
Tel: +49-211-495-5552  
Fax: +49-211-495-5557  
Email: [emea@adlinktech.com](mailto:emea@adlinktech.com)

**ADLINK (French Liaison Office)**

Address: 15 rue Emile Baudot, 91300 MASSY Cedex, France  
Tel: +33 (0) 1 60 12 35 66  
Fax: +33 (0) 1 60 12 35 66  
Email: [france@adlinktech.com](mailto:france@adlinktech.com)

**ADLINK Technology Japan Corporation**

Address: 151-007 2 東京都渋谷区幡ヶ谷  
1-1-2 朝日生命幡ヶ谷ビル 8F  
Asahiseimei Hatagaya Bldg. 8F  
1-1-2 Hatagaya, Shibuya-ku, Tokyo 151-0072, Japan  
Tel: +81-3-4455-3722  
Fax: +81-3-5333-6040  
Email: [japan@adlinktech.com](mailto:japan@adlinktech.com)

**ADLINK Technology Inc. (Korean Liaison Office)**

Address: 서울시 서초구 서초동 15 06-25 한도 B/D 2 층  
2F, Hando B/D, 1506-25, Seocho-Dong,  
Seocho-Gu, Seoul, 137-070, Korea  
Tel: +82-2-2057-0565  
Fax: +82-2-2057-0563  
Email: [korea@adlinktech.com](mailto:korea@adlinktech.com)

**ADLINK Technology Singapore Pte Ltd.**

Address: 84 Genting Lane #07-02A, Cityneon Design Centre,  
Singapore 349584  
Tel: +65-6844-2261  
Fax: +65-6844-2263  
Email: [singapore@adlinktech.com](mailto:singapore@adlinktech.com)

**ADLINK Technology Singapore Pte Ltd. (Indian Liaison Office)**

Address: No. 1357, "Anupama", Sri Aurobindo Marg, 9th Cross,  
JP Nagar Phase I, Bangalore - 560078, India  
Tel: +91-80-65605817  
Fax: +91-80-22443548  
Email: [india@adlinktech.com](mailto:india@adlinktech.com)

This page intentionally left blank.

# 1 Introduction

Considering the advancement of the industrial machine automation field, designers not only use centralized control systems but also need a distributed solution to develop more complex machine applications. Distributed solutions provide many benefits such as lower maintenance, reduced wiring and a vast number of modules that are easy to integrate. Motionnet and HSL technologies are innovative distributed motion and I/O technology that enable time-deterministic scanning of thousands of I/O points in milliseconds using master-slave architecture. The Motionnet bus further improves distributed motion control capability by providing control axes up to 256 axes and minimal command execution time for single axis control.

The PCI-7856 is a PCI interface card which offers two ports for Motionnet and HSL systems for distributed motion and I/O in machine automation applications.

HSL technology allows thousands of I/O points to be scanned at the millisecond-level in real time by using mater-slave architecture. Commercial Ethernet cables with RJ45 connector are used for simplified setup of the HSL slaves modules as close as possible to sensor devices which results in a dramatic reduction of wiring. System integrators can benefit from HSL network because it integrates discrete I/O and analog I/O modules. This local network features rapid response, real-time scanning.

A Motionnet system (referred to as“MNET”) is a distributed motion solution for machine systems. MNET is an innovative distributed motion technology which provides distributed motion axis control of up to 256 axes for any servo / stepper motor controlled using mater-slave architecture. This not only provides general purpose 4-axes motion control, but also allows specific 64 of single axis motion control module to be scanned in millisecond-level in real time.

MNET and HSL features:

- ▶ Flexible, comprehensive, extendable distributed motion and I/O solution based on PC architecture or embedded platform
- ▶ Convenient wiring for remote distributed motion & I/O modules, including multiple-axes motion control module, single axis motion control module, discrete I/Os and analog I/Os
- ▶ Space saving, reduced wiring and easier maintenance for cost saving
- ▶ Time-deterministic, fast scanning with hundreds of discrete I/O points (up to 2,016 points)
- ▶ Real-time and fast scanning to realize high-speed and high-response motion control up to 256 axes support.

The PCI-7856 block diagram is as follows.

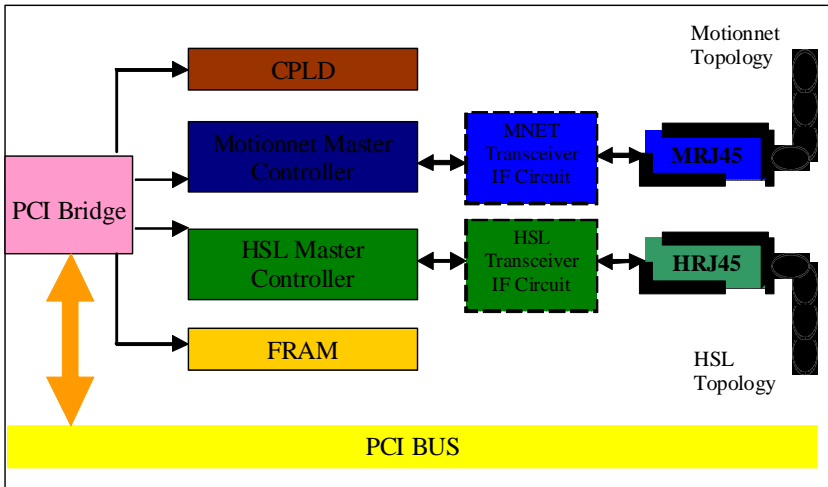


Figure 1-1: PCI-7856 Block Diagram

## 1.1 Specifications

### PCI Bus

- ▶ PCI local bus specification Rev. 2.1-compliant

### Master Controller

- ▶ Dedicated Motion Controller
  - ▷ Motionnet ASIC master control (80 MHz external clock)
- ▶ Dedicated I/O Controller
  - ▷ HSL ASIC master control (48 MHz External Clock)

### Interface

- ▶ Motionnet
  - ▷ RS-485 with transformer isolation
  - ▷ Half duplex communication
  - ▷ 2.5/5/10/20 Mbps transmission rate can be set by software (20 Mbps default)
- ▶ HSL
  - ▷ RS-485 with transformer isolation
  - ▷ Full duplex communication
  - ▷ 3/6/12 Mbps transmission rate can be set by software (6 Mbps default)

### Connector

- ▶ RJ45 connector x 4 (MRJ45 connector for Motionnet, HRJ45 connector for HSL)

### Interrupt

- ▶ Status read back
- ▶ Timer

### LED Indicato

- ▶ Link status (Red for Motionnet Link status, Green for HSL Link status)

### Dimensions

- ▶ 122 (L) x 107 (W) mm

### **Operating Temperature**

- ▶ 0 to 60°C

### **Storage Temperature**

- ▶ -20 to 80°C

### **Power Consumption**

- ▶ +3.3 V @ 1.2 A (typical)
- ▶ +5 V @ 1.5 A (typical)

## **1.2 Supported Software**

### **Program Library**

ADLINK provides Windows WDM drivers and DLL function libraries for the PCI-7856. These function libraries are shipped with the board and they support Windows 2000/XP/Vista.



## 2 Installation

This chapter describes how to install the PCI-7856. Please follow the steps below:

- ▶ Check what you have
- ▶ Check the PCB (Section 2.2, page 10)
- ▶ Install the software driver (Section 2.3, page 11)
- ▶ Understanding the I/O signal connections (Section 2.4, page 11)

### 2.1 Package Contents

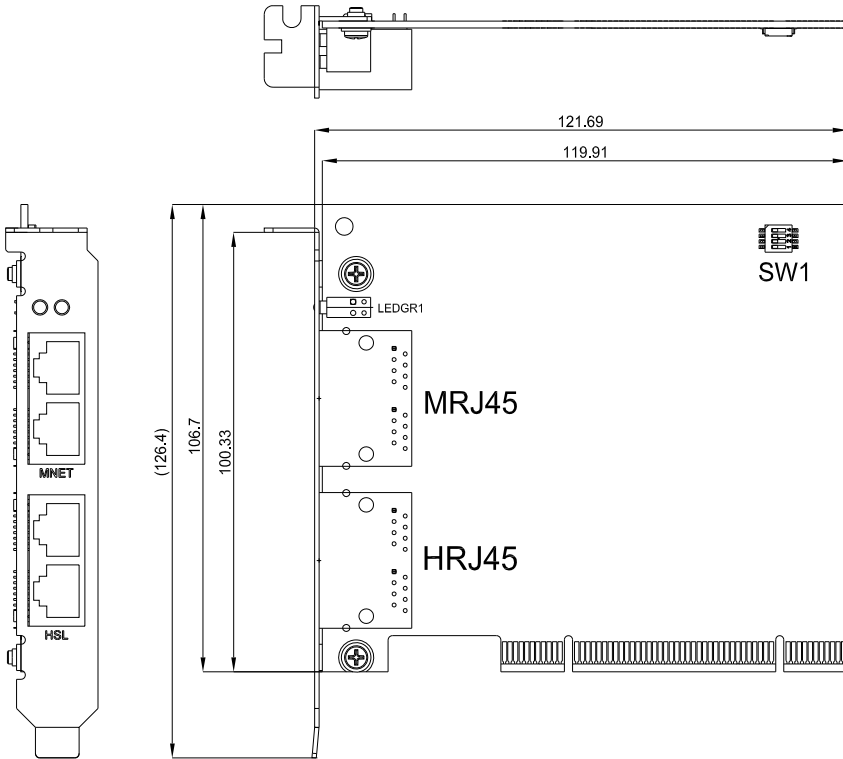
In addition to this User's Guide, the package also includes the following items:

- ▶ PCI-7856: Distributed Motion and I/O Master Board x1
- ▶ Installation CD x1

If any of these items are missing or damaged, contact the dealer from whom you purchased the product. Save the shipping materials and carton to ship or store the product in the future.

Signal connections of all I/O's are described in this chapter. Refer to the contents of this chapter before wiring any cables between the PCI-7856 and any slave module.

## 2.2 PCI-7856 Outline Drawing



**Figure 2-1: PCI-7856 Mechanical Drawing**

- ▶ MRJ45 Connector: Motionnet connection port.
- ▶ HRJ45 Connector: HSL connection port.
- ▶ SW1: Card identification switch

In addition to this User's Guide, the package also includes the following items:

- ▶ PCI-7856: Distributed Motion & I/O Master board x1
- ▶ All-In-One CD x1

If any of these items are missing or damaged, contact the dealer from whom you purchased the product. Save the shipping materials and carton to ship or store the product in the future.

## 2.3 Software Driver Installation

Using the All-In-One CD with PCI-7856 package and execute the following steps:

1. Auto-run the ADLINK All-In-One CD.
2. Follow the installation steps of the installer.
3. After installation is completed, restart your Windows operating system.

---

Note: The latest software can be downloaded from the ADLINK website: [www.adlinktech.com](http://www.adlinktech.com).

---

### 2.3.1 Troubleshooting

If the system doesn't boot or if any erratic behavior of the PCI board is experienced, it is most likely caused by an interrupt conflict. The solution, once determined it is not a simple oversight, is to consult the BIOS documentation that comes with your system. Check the control panel of the Windows system if the card is listed by the system. If not, check the PCI settings in the BIOS or use another PCI slot.

## 2.4 Signal Connection

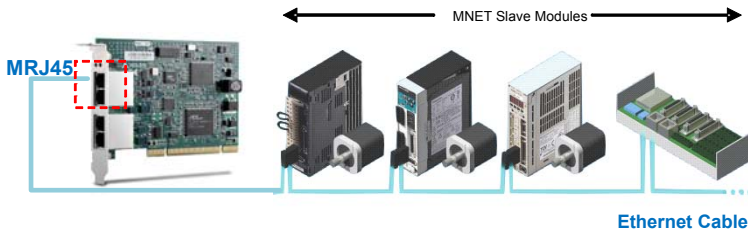
Signal connections of all I/O's are described in this section. Refer to the contents of this chapter before wiring any cables between the PCI-7856 and any slave module.

This section contains the following sections:

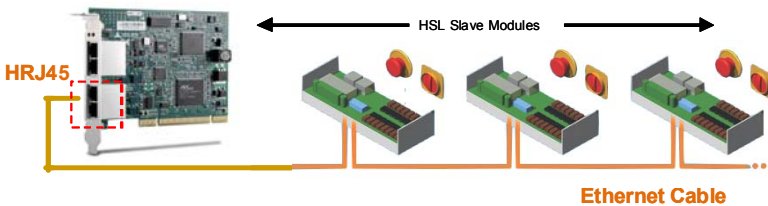
- ▶ Section 2.4.1: PCI-7856 connection with HSL and MNET slave modules
- ▶ Section 2.4.2: RJ45 Pin assignments and LED indication

### 2.4.1 PCI-7856 Connection with HSL and MNET Slave Modules

#### Wiring for MNET Motion Slave Modules



#### Wiring for HSL I/O Slave Modules

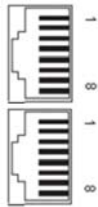


#### Ethernet Cable (CAT5e cable recommended)



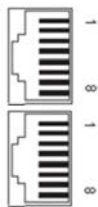
## 2.4.2 RJ45 Pin Assignment and LED Indicator

The Motionnet master is the key component in charge of communicating with slave motion and I/O modules. The master sets commands to control slave motion controller or obtain the motion status from slave modules. The PCI-7856 provides two ports of Motionnet master connection for more flexibility wiring. The pin assignment of the MRJ45 connector on the PCI-7856 is listed as below:



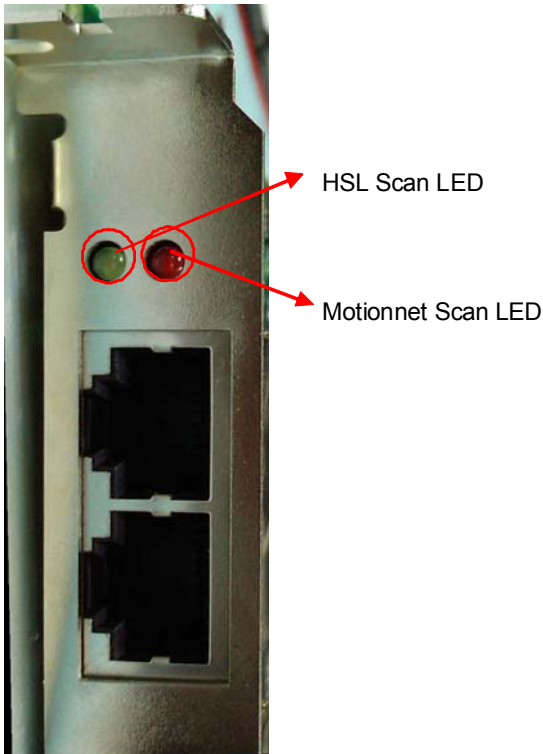
Pin No.	Pinout
1	NC
2	NC
3	NC
4	Data-
5	Data+
6	NC
7	NC
8	NC

The HSL master is the key component in charge of communicating with slave I/O modules. The master sets output values to and gathers input information from slaves. PCI-7856 provides two ports for HSL master connections for more flexibility wiring. The pin assignment of the HRJ45 connector on the PCI-7856 is as listed below:



Pin No.	Pinout
1	NC
2	NC
3	RX+
4	TX-
5	TX+
6	RX-
7	NC
8	NC

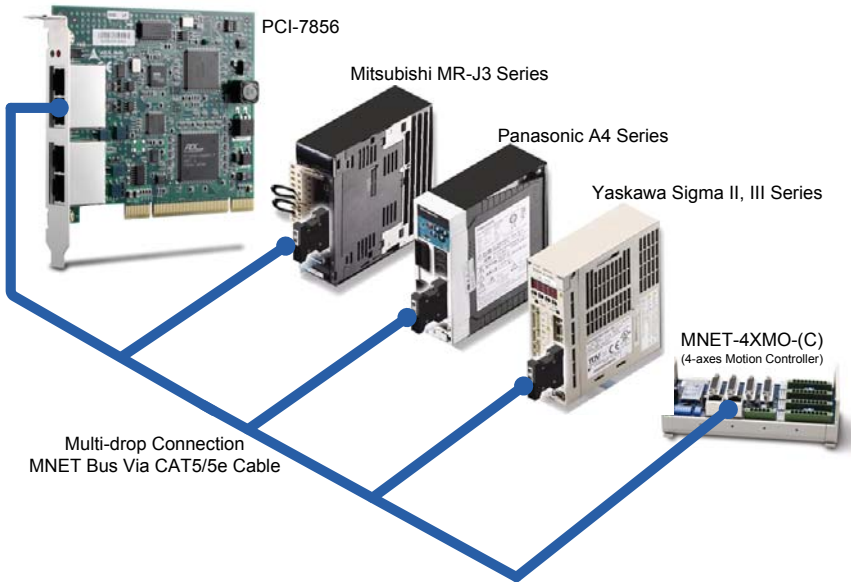
The LED indicator on PCI-7856 provides Motionnet and HSL communication status. A red LED indicates Motionnet status and a green LED indicates HSL status. Before initialization of the PCI-7856, the red LED and green LED will be off. LEDs will be blinking at a 1 HZ frequency after initialization of PCI-7856. Once the PCI-7856 connects to HSL slave modules, the green LED will be on until the scan stops and once the PCI-7856 stops the HSL scan, the green LED will continue blinking at 1 HZ. Once the PCI-7856 connects to MNET slave modules, the red LED be on until the scan stops or a communication error occurs, and once the PCI-7856 stops the Motionnet scan, the red LED will continue blinking at 1 HZ.



**Figure 2-2: LED Indicators on the PCI-7856**

### 3 Motionnet Master-Slave Motion System

Motionnet is an ultra-high-speed serial communication system proposed by NPM (Nippon Pulse Motor) with strong performance with MNET serial connection application. The maximum transfer speed is up to 20Mbps. The PCI-7856 is equipped with one MNET port to offer up to 256 axis control via serial connections. With an ADLINK MNET solution, we not only offer single axis configuration but also provide 4-axis control with interpolation functions. The individual devices can control Mitsubishi J3, Yaskawa Sigma series, and Panasonic A4 series servo drives. The controller can be used for executing continuous operations at constant speeds, performing linear acceleration/deceleration and S-curve acceleration/deceleration, carrying out preset positioning operations, and zero return operations, etc. In addition, a 4-axis motion controller can also support linear/circular interpolation functions. For connection distance, the cable length can be extended up to 100 m using an ordinary CAT5e LAN cable while connecting 64 axes at 20Mbps. ADLINK MNET solution highlights the easy-to-use motion control feature. All function library designs comply with ADLINK PCI series motion controller and MNET bus motion controller. ADLINK MNET solution not only offers single axis connection suitable for multiple PTP (point-to-point) movement applications but also provides 4-axis motion controller with linear and circular interpolation functions.



**Figure 3-1: Overview of an MNET Distributed Motion Control System**



### 3.1 MNET System Specifications

Functions of MNET system can be classified as serial communications and motion control.

Item	Specifications
Total serial communication line length	<ul style="list-style-type: none"> <li>▶ Maximum of 100 m (At a data transfer speed of 20 Mbps with 32 devices connected)</li> <li>▶ Maximum of 50 m (At a data transfer speed of 20 Mbps with 64 devices connected)</li> <li>▶ Maximum of 100 m (At a data transfer speed of 10 Mbps with 64 devices connected, using our recommended cables)</li> </ul>
Serial communication interface	Pulse transformer and RS-485 specification line transceiver
Serial communication protocol	Our proprietary protocol
Serial communication	NRZ signed
Serial communication method	Half-duplex communication
Connection method	Multi-drop connection using a LAN cable (CAT5/CAT5e STP/S-STP)
Serial data transfer speed	20 Mbps/10 Mbps/5 Mbps/2.5 Mbps Programmable speed setting
Maximum No. of MNET modules	64 (Total axes shall be 64 if you connected all single axis modules, otherwise the total axes shall be 256 axes if all modules belong to MNET-4XMO)

**Table 3-1: MNET Specifications**

### 3.1.1 Wiring Cable

This system guarantees enhanced quality for high-speed communication, and is designed to be connected with LAN cables suitable for 100BASE-T and 1000BASE-T. These cables have well-known specifications, are cheap and easily obtained. Therefore, we do not include these items in our product lines and do not supply them. To select cables, make sure they meet the following specifications.

#### Wiring standards

- ▶ TIA/EIA-568-B
- ▶ Category 5 (CAT5)
- ▶ Enhanced Category 5 (CAT5e)
- ▶ Category 6 (CAT6)

UTP (UnshieldedTwistedPair) cables or STP (ShieldedTwisted-Pair) cables that meet the specifications above. For an environment with excessive electromagnetic noise, use a shielded cable (STP).

Observe the following when connecting your system.

#### 1. Total serial line length

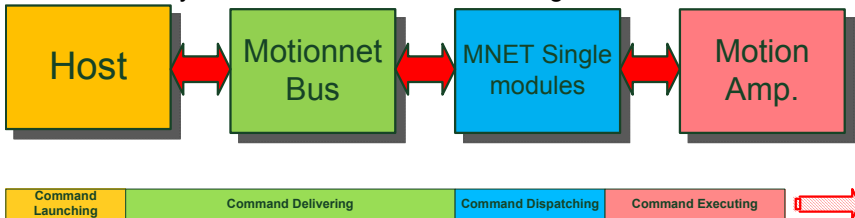
This system employs a multi-drop connection method. The maximum total extension distance of the line varies, depending on the data transfer speed and the number of local boards that are connected.

- ▷ Max. 100 m (Transfer speed, 20 Mbps with 32 modules connected)
- ▷ Max. 50 m (Transfer speed, 20 Mbps with 64 modules connected)
- ▷ Max. 100 m (Transfer speed, 10 Mbps with connecting 64 modules connected)

2. Minimum cable length  
The shortest cable must be at least 60 cm long.
3. Do not mix cables of different types and model in the same serial line.
4. Keep the total serial line length as short as possible.
5. If you are using shielded cables, do not connect the shield on both ends to the FG terminals.  
Connecting only one end of the shield on each cable will improve noise immunity.

### 3.1.2 MNET System Communication

An MNET system communication block diagram is shown below.



#### Command Launching

Within the MNET system, remote modules communicate with each other using MNET network packets. Users do not have to understand what the content of the packet is. Instead, several API functions are provided for controlling this module. The API functions are very easy to understand and to use.

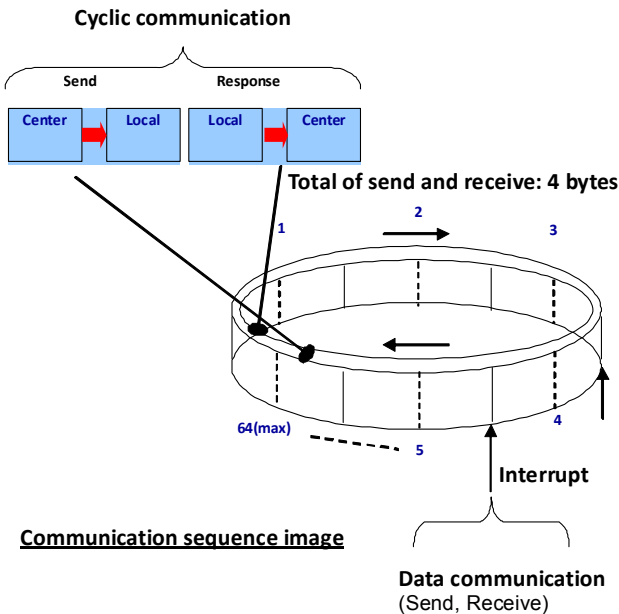
The APIs can analyze the parameters from user commands and pack them as MNET network packets. The packets are then passed to the remote modules. The remote modules will interpret the packets and execute the commands correctly. Before launching the packet, all the commands issued by users are written into the RAM and transferred on the MNET network.

Consequently, the RAM is the bridge between the MNET master controller and the host PC. The access time of RAM for one packet is about 600 ns. It is quiet fast on host PC. Furthermore, the delivey time of one command on network depends on the number of modules and operating clock rate. Besides the basically

RAM usage, users are able to write data into a FIFO in the central device, and issue a send command using the same method. This communication will be sent and received automatically by interrupting the cyclic communication. A complete command delivering time depends on the number of MNET packets. One packet command can be delivered in one MNET scan (cycle) time.

### Command Delivery

For command delivery procedures which are transferred, in a cyclic communication, the time allowed for communication by a single module is fixed. However, in a data communication, the communication time will vary, depending on how the communication is controlled by the user's program and the time needed to access the PCI-7856. We will skip these elements and simply calculate the basic data communication time in this section.



## 3.2 MNET Motion Modules

MNET motion slave module is a wire-saving solution. ADLINK offers three specific types of modules for connecting to Mitsubishi J3 servos, Panasonic A4 servos and Yaskawa Sigma II, III and V servos. Each module is easy and convenient to plug into the servo drivers. All of the servos can be connected serially through the recommended cable, greatly reducing wiring requirements.

Series	Model	Servo Driver	Axis No.	Mechanical I/O
MNET Single Axis Motion Modules	MNET- MIA	Panasonic A4	1	PEL, MEL, ORG, SD, EMG
	MNET- J3	Mitsubishi MR-J3	1	PEL, MEL, ORG, SD, EMG
	MNET- S23	Yaskawa Sigma II, III	1	PEL, MEL, ORG, SD, EMG
MNET 4-axes Motion Modules	MNET-4XMO	General Purposed	4	PEL, MEL, ORG, SD, EMG
	MNET-4XMO-C	General Purposed	4	PEL, MEL, ORG, SD, EMG, TRG

**Table 3-2: MNET Motion Module Series**

Not only are specific single axis control modules supported, but also 4-axes control modules namely “MNET-4XMO” and “MNET-4XMO-C”. Both offer the fundamental motion functions such as point-to-point, zero-position searching, programmable acceleration/ deceleration, T/S curve speed profile and so on. Besides the MNET-4XMO-C supports high-speed position comparison, trigger output function and point table for continuous contouring application, please refer to the user guide of MNET-4XMO for more details.

### 3.2.1 Single Axis Motion Modules

ADLINK offers three different types motion module which was used for three specific servos.

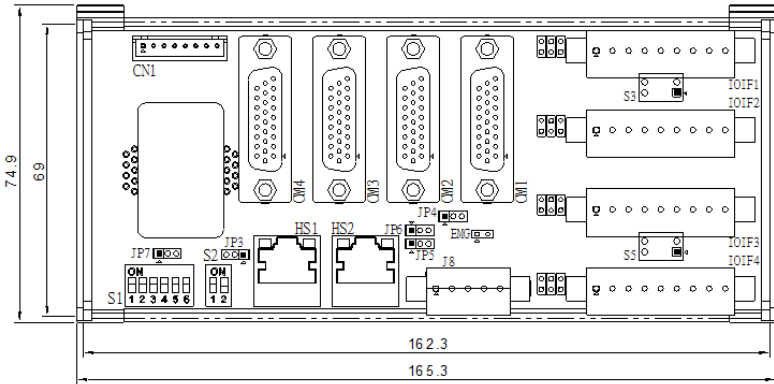
1. The MNET-J3 can control a servomotor when I/O signals from a Mitsubishi's MR-J3 series servo driver CN1 are routed directly to this connector, CN4.
2. The MNET-MIA can control a servomotor when I/O signals from a Panasonic's (Matsushita's) servo amplifier MINAS A4 series (pulse command supporting type) servo amplifier CNI/F or CNX5 are routed directly to this connector, CN4.
3. The MNET-M341-S23 controls Yasukawa  $\Sigma$ II,  $\Sigma$ III and  $\Sigma$ V series servo pack (pulse train supporting types) by docking all command and feedback signals to the CN1 connector of the servo driver.

These modules can control continuous operations of a servomotor with a variety of speed patterns (constant speed, linear acceleration/deceleration, S-curve acceleration/deceleration, as well as a preset positioning operation, and a zero return operation) using serial communications.

Since these modules can be connected directly to the mechanical I/O signals from a servo driver, they do not need the special servo driver cable that is required for a conventional motion control module. Therefore, these modules will save you many hours in designing and wiring your system. The motion module brings many advantages such as simplified wiring, shortened wiring runs, and it eliminates problems caused by faulty wiring. It also offers high noise immunity and takes full advantage of high-speed signal lines to handle command pulses. This module is so compact that it does not need any extra space left for wiring.

If you want to control a servo or stepper motor and it is not described above or you need more advanced motion function like linear / circular interpolation motion (but not PTP motion). ADLINK also provides the 4-axes motion control modules for complicated applications. By using the specific or general purposed D-Sub cables and therefore you can connect the servo drivers directly

which include Mitsubishi J2S, Panasonic MINAS A4, Yaskawa Sigma II, III and V series and Delta ASDA A2 series.



**Figure 3-2: MNET-4XMO-(C) Mechanical Diagram**

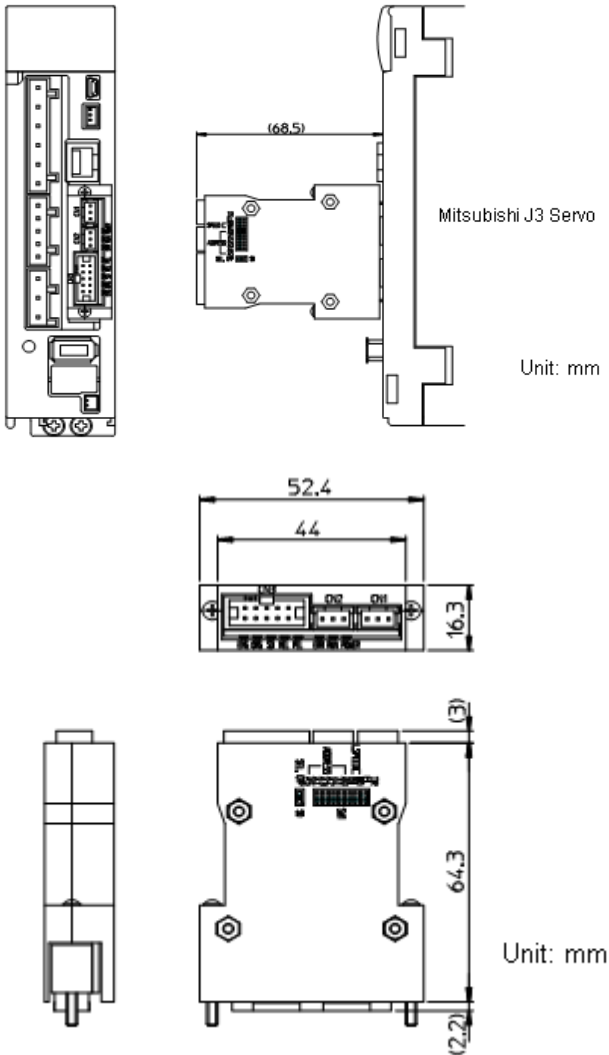


Figure 3-3: Outline of the MNET-J3 Assembly with MR-J3 Servo Driver



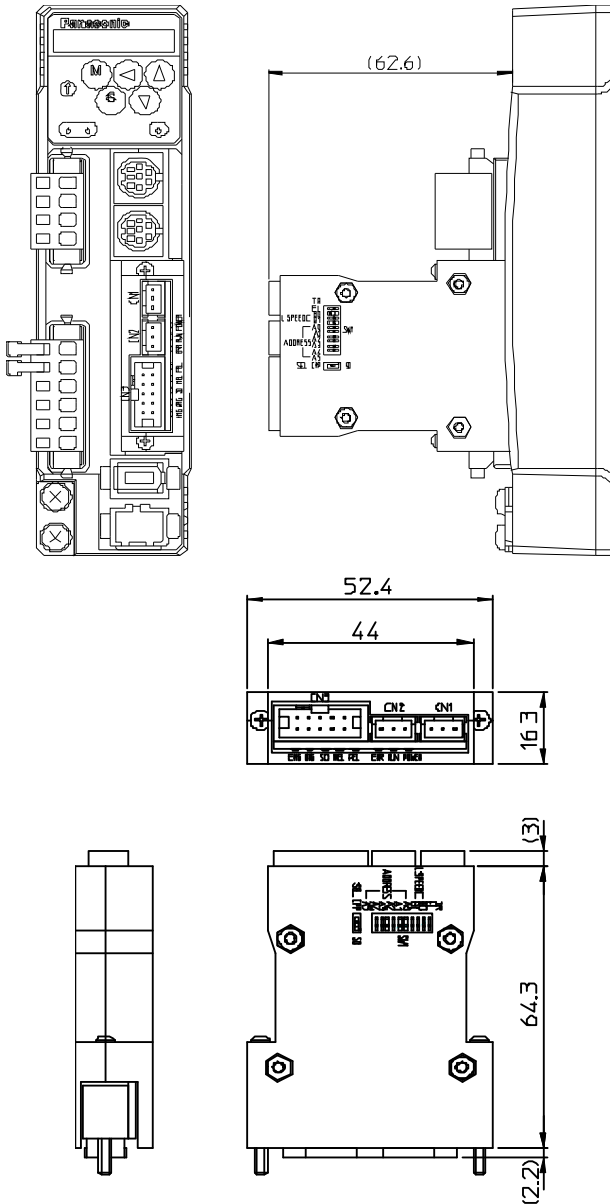


Figure 3-4: Outline of MNET-MIA Assembly with a MINAS A4 Servo Driver

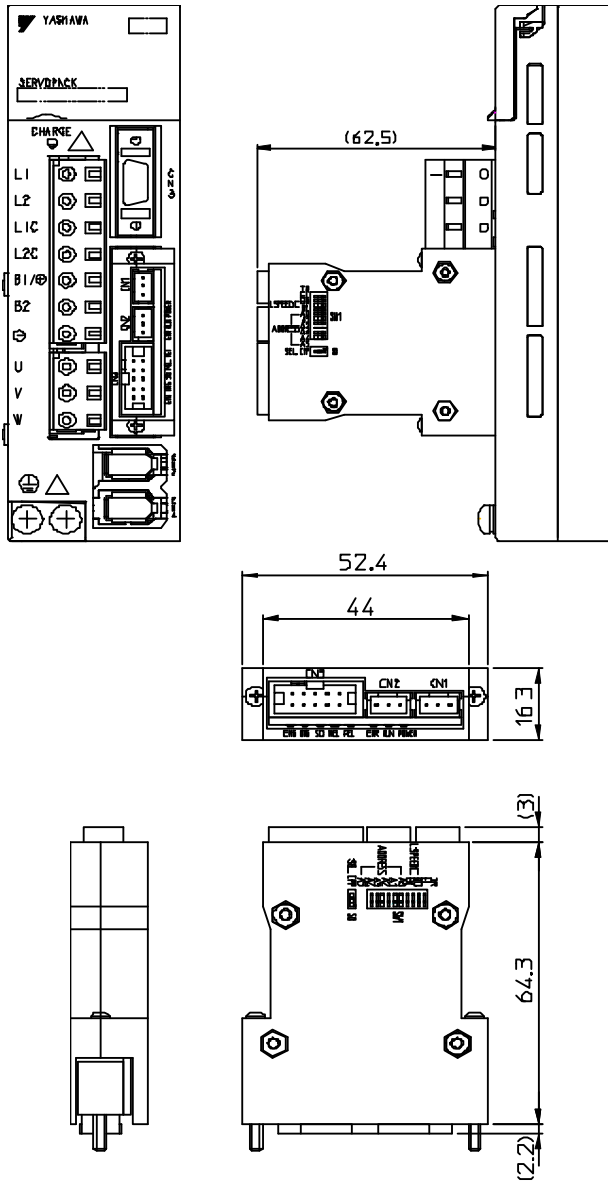


Figure 3-5: Outline of MNET-S23 Assembly with a Sigma II, III & V Servo Driver





## 4 HSL Slave Modules

The HSL is a master-slave network system, which features an innovative distributed architecture that modularizes the communication, I/O functions and signal termination. ADLINK provides slave I/O modules and terminal base to meet your particular applications requirement including discrete I/O, analog I/O, and motion control. As for motion control module, please refer to the HSL-4XMO user manuals.

**Slave I/O Module:** There are three groups of the slave I/O module with individual dimensions. The slave I/O module gives the terminal base different I/O capability. To identify each slave I/O module in a HSL network, a module type electronic data sheet is inherent in the module itself. And the slave I/O module located by address ID, which is selectable by a 6-bit DIP-switch. Depending on different I/O supported, every slave I/O module may consume 1 or 2 address ID. Since the greatest ID number in a HSL master is 63 (6 bit and '0' reserved for master), there are at most 63 slave I/O modules in one HSL master.

**Terminal Base:** The job of terminal base (TB) is offering an easy wiring media. Both power and signal wiring go from terminal base into the slave I/O modules. Also, the RJ-45 connector used to link the masters to all the slave I/O modules on it. With the help of TB, the slave I/O modules are hot swappable without interfering with other modules in the same HSL network.

**U series:** In addition to Terminal Base products, ADLINK also offers the slave modules which were named U-series. U-series slave modules offer I/O signal wiring on module top directly. It is more compact size than Terminal Base slave modules, moreover, it offers several kinds of I/O interface to perform signal linking.

**HUB/Repeater:** HSL-HUB/Repeater provides customers sub-system idea for different topology use.

**Wiring Cable:** The communication wiring cables among the HSL master and I/O modules are standard 100 Base/TX with RJ-45 connectors. There are exactly the same as commercial Ethernet cables.

## 4.1 HSL Slave I/O Module

### 4.1.1 Discrete I/O Module

ADLINK provides three series: DB, M and U series.

- ▶ DB: Daughter board form factor
- ▶ M: Daughter board form factor with aluminum cover
- ▶ U: Low-profile design

These series are listed as follows:

Series	Model	Discrete Input	Discrete Output	Relay Output	Slave Index Occupation
DB	DBHSL-DI32-DB-N/P	32			2 (Consecutive from odd number)
	HSL-DO32-DB-N/P		32		2 (Consecutive from odd number)
	HSL-DI16DO16-DB-N/P	16	16		1
M	HSL-DI32-M-N/P	32			2 (Consecutive from odd number)
	HSL-DO32-M-N/P		32		2 (Consecutive from odd number)
	HSL-DI16DO16-M-NN/ NP/PN//PP	16	16		1
	HSL-R8DI16-M-N/P	16		8	1
U	HSL-DI16DO16-US/UJ- NN/NP/PN/PP	16	16		1
	HSL-DI16-UL	16			1

**Table 4-1: HSL Discrete I/O Module Series**

The selection guide is as follows:

<b>HSL</b>	-	<b>DI□DO□</b>	-	□	-	<b>XY</b>
		<p>Discrete I/O Type:</p> <ul style="list-style-type: none"> <li>▶ DI16DO16: 16 discrete inputs and 16 discrete outputs</li> <li>▶ DI32: 32 discrete inputs</li> <li>▶ DO32: 32 discrete outputs</li> <li>▶ R8DI16: 8 relay outputs and 16 discrete inputs</li> </ul>			<p>Series:</p> <ul style="list-style-type: none"> <li>▶ DB: Daughter board form factor</li> <li>▶ M: Daughter board with aluminum cover</li> <li>▶ U: U Series</li> <li>▶ DB: Daughter board form factor</li> </ul>	<p>Signal Type:</p> <ul style="list-style-type: none"> <li>▶ X: Input Signal Type: NPN sinking and PNP sourcing support</li> <li>▶ Y: Output Signal Type: NPN sinking and PNP sourcing support</li> </ul>

**Table 4-2: HSL Discrete I/O Module Selection Guide**

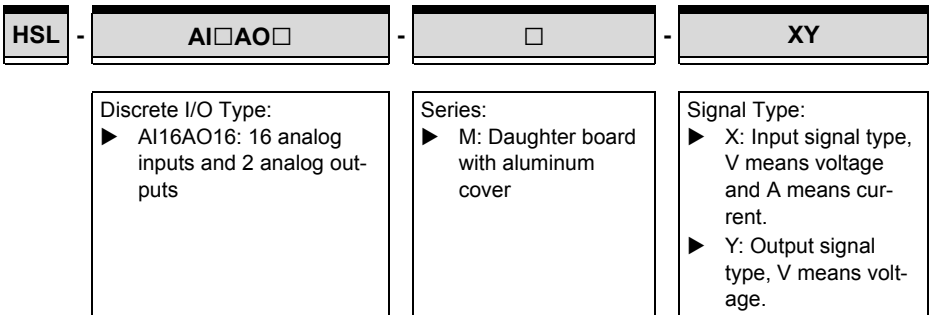
### 4.1.2 Analog I/O Module

ADLINK provides an M series as follows.

Series	Model	Analog Input	Analog Output	Slave Index Occupation
M	HSL-AI16AO2-M-VV	16	2	2 (Leap number)
	HSL-AI16AO2-M-AV	16	2	2 (Leap number)
U	HSL-AO4		4	2

**Table 4-3: HSL Analog I/O Module Series**

The selection guide is as follows.



**Table 4-4: HSL Analog I/O Module Selection Guide**

## 4.2 General Specifications

### 4.2.1 Digital I/O Module

Discrete Input	Photo couple isolation	2500 VRMS	
	Input impedance	4.7 k $\Omega$	
	Input Voltage	+24 V*	
	Input Current	For NPN <sup>(1)</sup>	-10 mA
		For PNP <sup>(2)</sup>	+10 mA
	Operation Voltage (@ 24 V <sub>DC</sub> Power Supply)	For NPN <sup>(1)</sup>	ON: 11.4 V <sub>DC</sub> (Max.) OFF: 14.3 V <sub>DC</sub> (Min.)
		For PNP <sup>(2)</sup>	ON: 12.6 V <sub>DC</sub> (Min.) OFF: 9.8 V <sub>DC</sub> (Max.)
Response Time	ON: 8.8 $\mu$ s (Typical) OFF: 42 $\mu$ s (Typical)		
Discrete Out-put	Switch capacity	For NPN <sup>(3)</sup>	All channels: -50 mA/ ch at 24 V <sub>DC</sub>
		For PNP <sup>(4)</sup>	All channels: +50 mA/ ch at 24 V <sub>DC</sub>
	Response Time	ON to OFF: 68 $\mu$ s OFF to ON: 1.1 $\mu$ s	
Relay	Relay Type	SPST, normally open, non-latching	
	Rating	30 V <sub>DC</sub> /2 A, 250 V <sub>AC</sub> /2 A	
	Switching Frequency	20 times/minute at rating load	
	Response Time	ON to OFF: 3 $\mu$ s (Max.)	
OFF to ON: 6 $\mu$ s (Max.)			

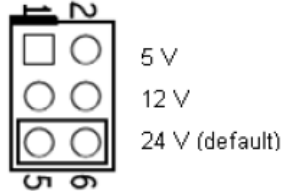
**Table 4-5: Digital I/O Module**

- (1): NPN sinking type sensor input module
- (2): PNP sourcing type sensor input modules
- (3): NPN sinking type sensor output module
- (4): PNP sourcing type sensor output modules
- (5): U-series single channels: -90 mA at 24 V<sub>DC</sub>



\*Note: The HSL-DI16-UL supports 5 V, 12 V and 24 V, selected by jumper for each channel:

► JDI0 - JDI15 (input voltage setting)

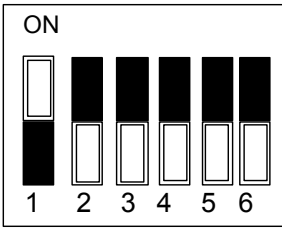


#### 4.2.2 Analog I/O Module

Analog Input	A/D Resolution	16-bit (14-bit guaranteed)
	Input Range	For VV type: $\pm 10$ V, $\pm 5$ , $\pm 2.5$ , $\pm 1.25$ V
		For AV type: 20 mA, 10 mA, 5 mA
	A/D Conversion	10 $\mu$ s
Signal Type	16-CH Single Ended; 8-CH Differential	
Analog Output	D/A Resolution	16-bit
	DA Settling Time	10 $\mu$ s

**Table 4-6: Analog I/O Module**

### 4.2.3 DIP Switch Setting



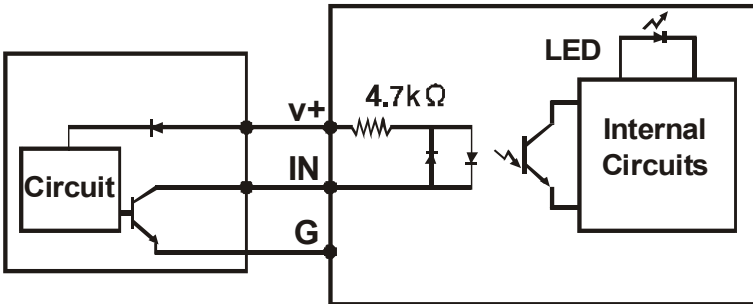
ON = 1  
100000 address 1  
010000 address 2  
... ..  
011111 address 62  
111111 address 63  
OFF = 0

Please note the following:

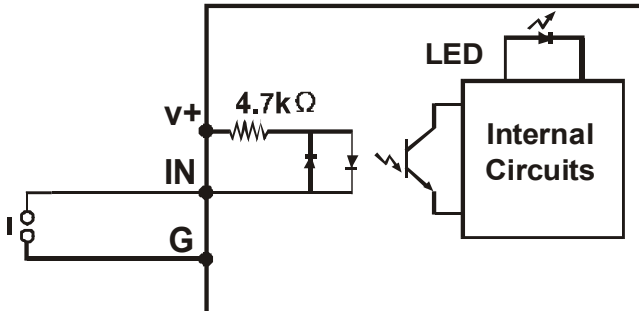
1. The address (or slave index) '0' is reserved.
2. HSL-DI32-M, HSL-DO32-M, HSL-DI32-DB, and HSL-DO32-DB need two consecutive addresses that start from an odd number. For example, if the DIP switch is set as 3, it would occupy slave index 3 and 4.
3. HSL-AI16AO2-M-VV/AV needs two leap addresses at full duplex mode. For example, if the DIP switch is 2, this module will occupy 2 and 4.

### 4.2.4 Wiring Diagram

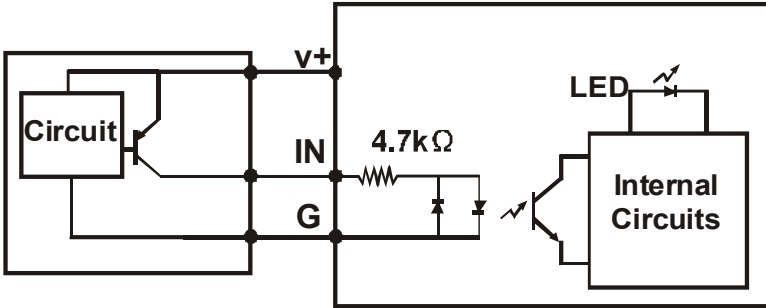
-N NPN Sinking type sensor Input



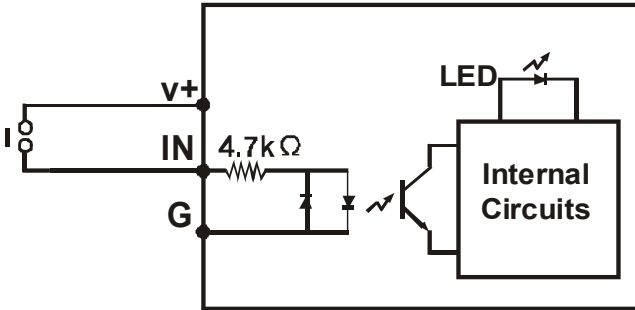
-N Dry Contact Input



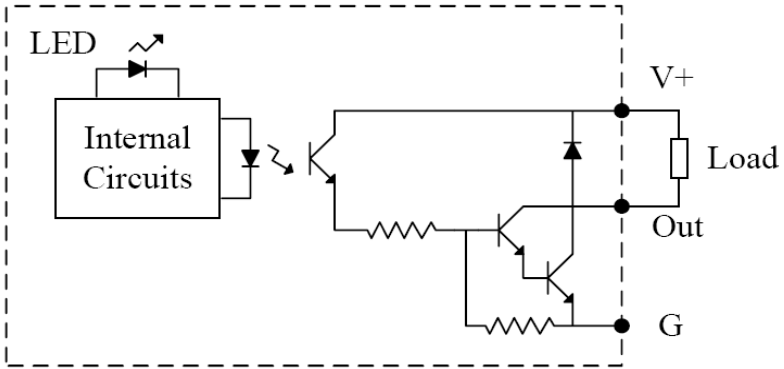
-P PNP Sourcing type sensor Input



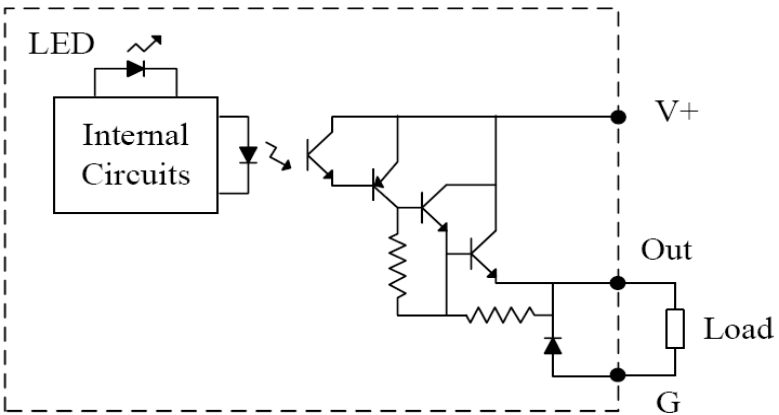
-P Wet Contact Input



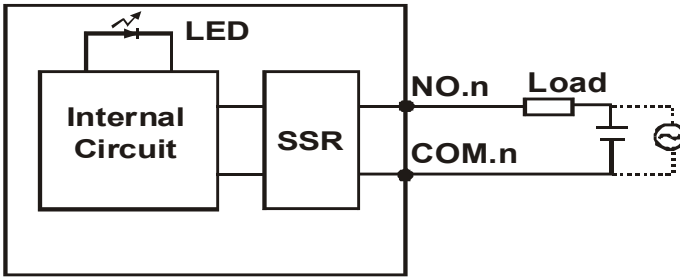
-N NPN Sinking Output



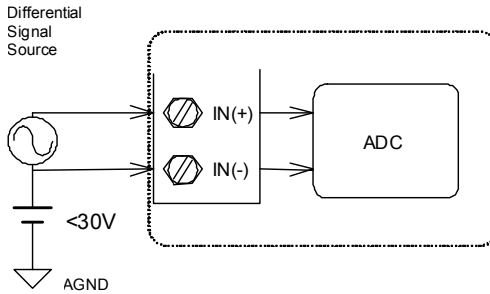
-P PNP Sourcing Output



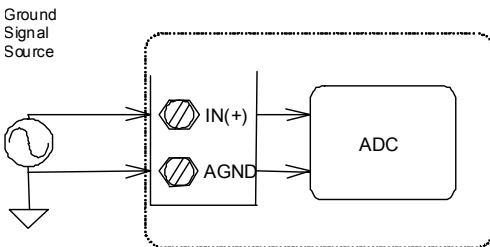
### -R Relay Output



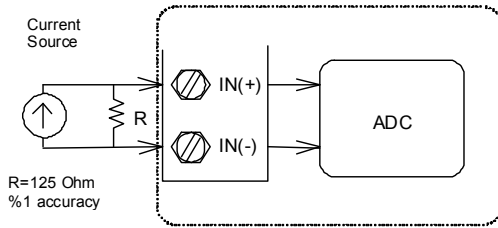
### -Analog Input (Differential Voltage Input)



### -Analog Input (Single-End Voltage Input)

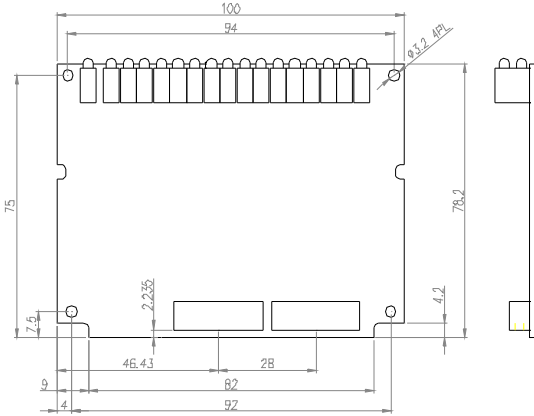


## -Analog Input (Current Measure)

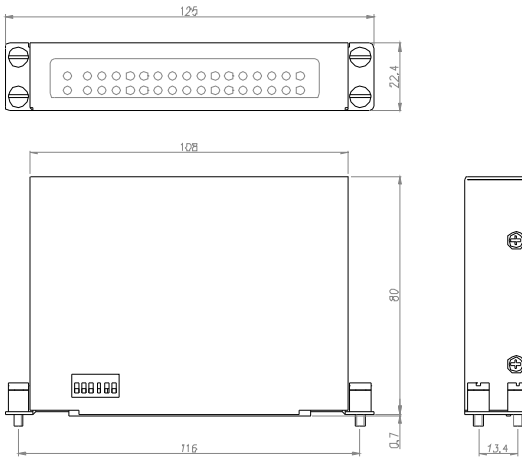


## Dimensions

- DB: Daughter board form factor (100 mm X 78.2 mm)

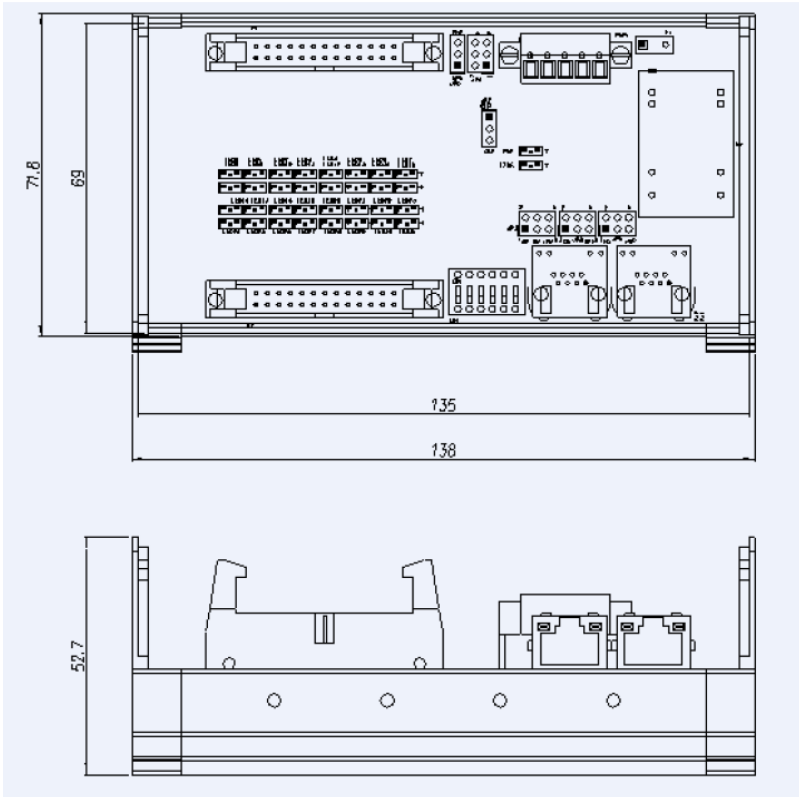


- M: Daughter board with aluminum cover (125 mm X 80 mm)





- U-series slave I/O module (71.8 mm X 138 mm)



## 4.2.5 Terminal Base Motion Control Module

The terminal bases include:

- ▶ HSL-TB32-U-DIN
- ▶ HSL-TB64-DIN
- ▶ HSL-TB32-M-DIN
- ▶ HSL-TB32-MD

### Features

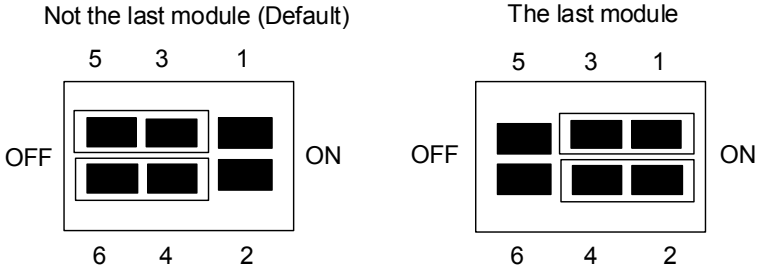
- ▶ Field I/O wiring connection for HSL I/O modules
- ▶ Screw or spring terminal for easy field wiring
- ▶ Power and ground included for each signal channel
- ▶ Interlocking design for rugged installation
- ▶ Power LED indicator
- ▶ DIN rail mounting
- ▶ Onboard Terminator resistor

### General Description

	Model Name	Description	Module Support
<b>DB Series</b>	HSL-TB32-U	(1) 32 channels direct connected terminal base (2) One DB slot	All HSL DB-series modules
	HSL-TB64	(1) 64 channels direct connected terminal base (2) Two DB slots	All HSL DB-series modules
<b>M Series</b>	HSL-TB32-M	32 channels direct connected terminal base for HSL M-series module	All HSL M-series modules
	HSL-TB32-MD		

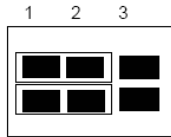
## Jumper Settings

Since HSL is a serial transmission system, a terminator should be placed at the end of cable. Each TB has a jumper selectable terminator on board. Only the last module have to enable the terminator.



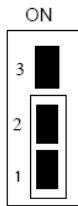
## HSL-TB32-MD Jumper Setting

JP1,2 (External Power Option)



1 2 3  
1 2 3  
1, 2 short: Different Power (Default)  
2, 3 short: Common Power

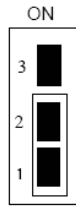
JP3 (Tx Terminal Resistor)



OFF

OFF is default setting

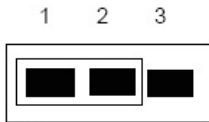
JP4 (Rx Terminal Resistor)



OFF

OFF is default setting

JP5 (Fuse Option)



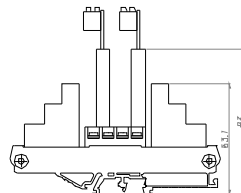
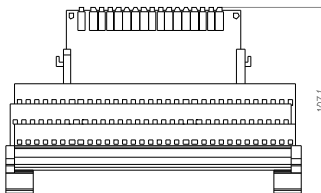
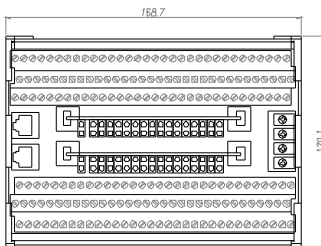
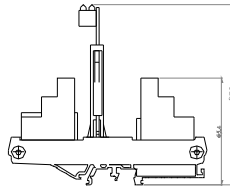
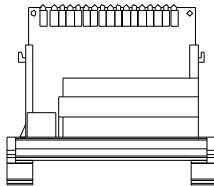
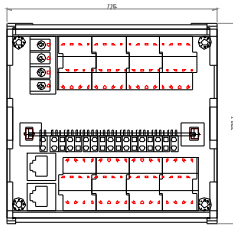
ON

OFF

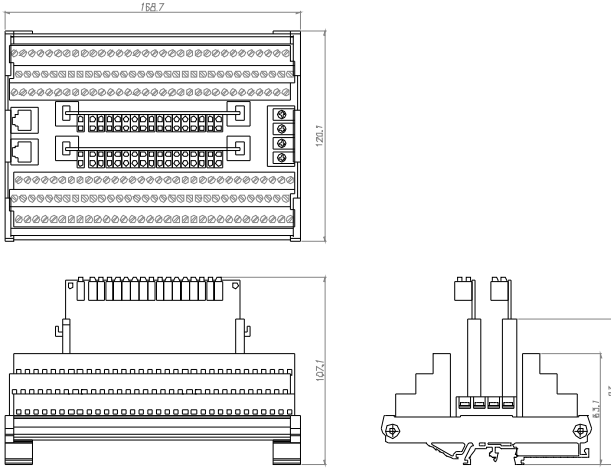
1, 2 short: With Fuse  
2, 3 short: Without Fuse (Default)

## Dimensions

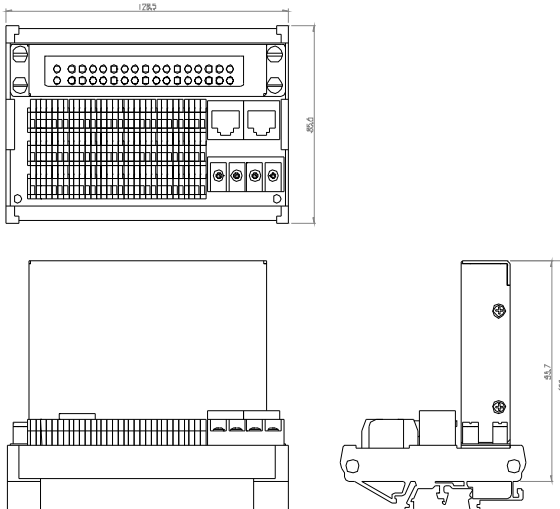
-DB with HSL-TB32-U-DIN (126x120.1x107.3) mm



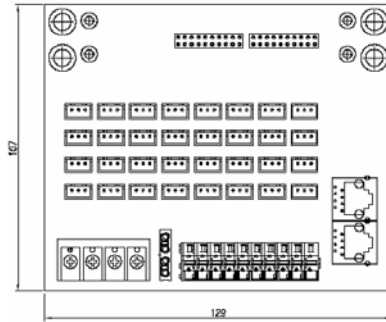
-DB with HSL-TB64-DIN (168.7x120.1x107.3) mm



-M module with HSL-TB32-M-DIN (128.5x85.5x108) mm



-HSL-TB32-MD (129x107) mm



## 4.2.6 HSL-HUB/Repeater

HSL-HUB/Repeater including:

- ▶ HSL-HUB
- ▶ HSL-Repeater

Feature

- ▶ Linking style: Master to HUB, HUB to HUB, HUB to Slave
- ▶ Support T bracing connection / Star connection (Subsystem Concept)
- ▶ Support Max. 2.4km by 7 HSL-HUB/Repeater modules
- ▶ One input port with 3 output segment ports
- ▶ Jumper selectable transmission speed : 3/6/12 Mbps
- ▶ Full and half duplex transmission mode are jumper selectable
- ▶ RJ45 phone jack for easy installation
- ▶ 24 VDC input



## General Description

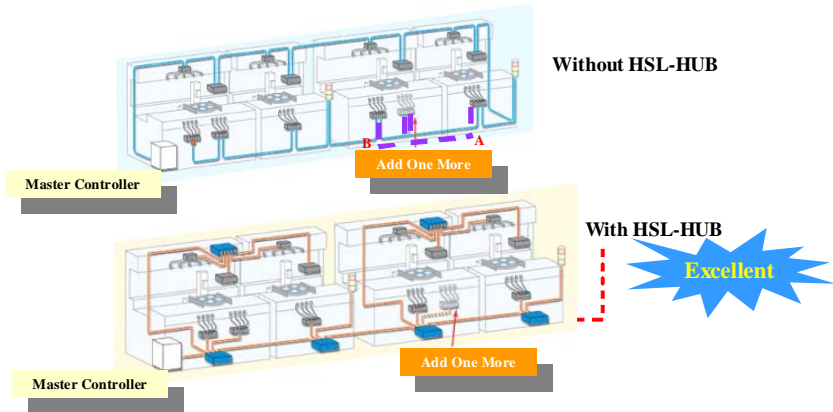
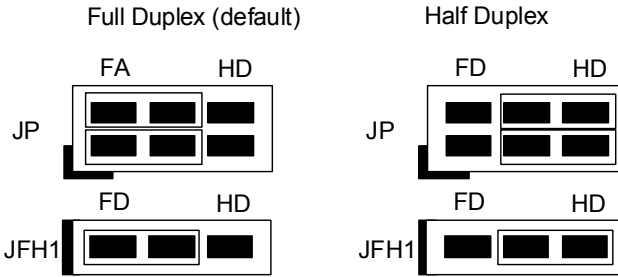


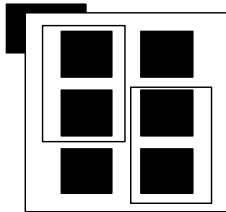
Figure 4-1: HSL System Configuration

## Jumper Settings

FD / HD setting: JP\*(0-3), JFH1



3 M / 6 M / 12 M setting JBPS1

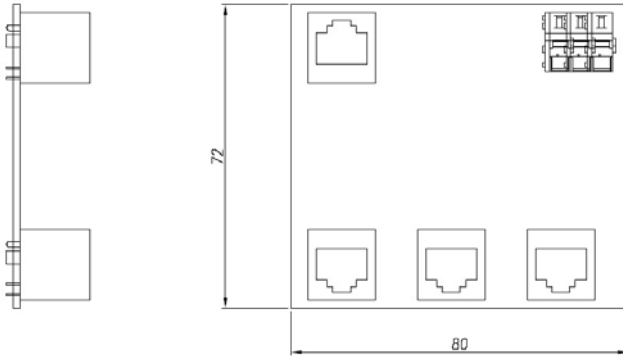


6 M (default)

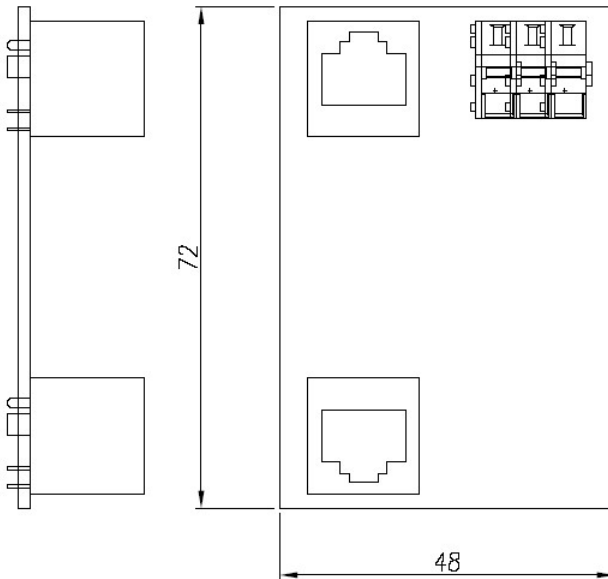
1 – 3 & 2 – 4	12 M
1 – 3 & 4 – 6	6 M (default)
3 – 5 & 2 – 4	3 M
3 – 5 & 4 – 6	EXC

## Dimensions

### HSL-HUB



### HSL-Repeaters



## 4.2.7 Managing Slave Index in an HSL Network

### Before you proceed

Before powering on the slave modules, users have to adjust the DIP switch. For this step, please refer to Section 4.2.3 to know how to do this. Please specifically note the following.

1. One master controller can connect up to 63 slave indexes.
2. The more compact slave address in HSL network, the much more efficient the HSL system can work.
3. Discrete I/O and relay module rule

Module	Slave Index Occupation	Transmission Mode	Transmission Speed
HSL-DI16DO16-M-NN/NP/PN/PP	1 (Any address)	Full Duplex (Fixed)	6 Mbps (Fixed)
HSL-DI16DO16-DB-NN/NP/PN/PP			
HSL-R8DI16-M-N/P			
HSL-DI32-M-N/P	2 (Consecutive from odd number)		
HSL-DI32-DB-N/P			
HSL-DO32-M-N/P			
HSL-DO32-DB-N/P			

4. Observe the analog I/O and thermocouple module rule.

Module	Slave Index Occupation	Transmission Mode	Transmission Speed
HSL-AI16AO2-M-VV	2 (Leap number)	Full Duplex (Fixed)	3/6/12 Mbps Selectable
HSL-AI16AO2-M-AV			
HSL-AO4-U			

5. Special Rule: If you will install only one HSL-AI16AO2-M-VV or HSLAI16AO2-M-AV and the DIP switch is set to 1 (HSL-AI16AO2-M-VV/AV only supports full duplex mode), the occupied indexes will be 1 and 3. You must assign the parameter "MOD\_No" of APS\_set\_field\_bus\_slave\_param() as 4 to ensure correct communication.

### Examples

The following examples are provided for user reference. All modules used are set in full duplex mode.

*Example 1*

Provided you installed two HSL-DI16DO16-UD, two HSL-DI32-MN, and an HSL-AI16AO2-VV with all slave modules in full duplex mode, you can have two conditions as follows:

*Condition 1* HSL-AI16AO2-VV×1 is in 6 Mbps.

ADLINK suggests users can have the slave index configuration as follows.

Item	DIP Switch	Index Occupation in HSL
HSL-DI32-M-N #1	1	1, 2
HSL-DI32-M-N #2	3	3, 4
HSL-AI16AO2-VV	5	5, 7
HSL-DI16DO16-UD #1	6	6
HSL-DI16DO16-UD #2	8	8

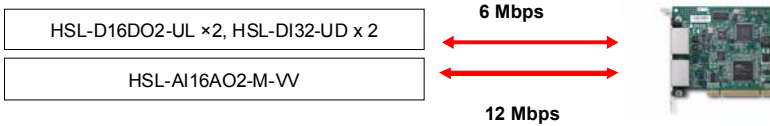
This is an example of a compact composition. The scan time needs  $30.33 \mu\text{s} \times 8$  at 6 Mbps, full duplex mode. Users can connect the modules with one master controller.

*Condition 2* HSL-AI16AO2-VV×1 operates at 12 Mbps.

We recommended that you use the provided slave index configuration.

Item	DIP Switch	Index Occupation in HSL
HSL-DI32-M-N #1	1	1, 2
HSL-DI32-M-N #2	3	3, 4
HSL-DI16DO16-UD #1	5	5
HSL-DI16DO16-UD #2	6	6

There is another example of a compact composition. The scan time needs  $30.33 \mu\text{s} \times 6$  at 6 Mbps, full duplex mode. You may connect these modules with one master controller. The HSL-AI16AO2-M-VV module connects to another master controller. The DIP switch of HSL-AI16AO2-M-VV is assigned as 1.



Consequently, the cycle time of the first master controller is  $30.33 \mu\text{s} \times 6$  and the cycle time of the second master controller is  $45.5 \mu\text{s}$  at 12 Mbps, full duplex mode.

*Example 2*

Provided you installed two HSL-DI16DO16-UJ, one HSLDI16DO16-M-NN, two HSL-DO32-M-N and one HSL-AI16AO2-VV with all slave modules in full duplex mode, you can have the following conditions:

*Condition 1* The HSL-AI16AO2-VV module operates in 6 Mbps.

We recommended that you use the provided slave index configuration.

Item	DIP Switch	Index Occupation in HSL
HSL-DO32-M-N #1	1	1, 2
HSL-DO32-M-N #2	3	3, 4
HSL-AI16AO2M-VV	5	5, 6
HSL-DI16DO16-UJ #1	7	7
HSL-DI16DO16-UJ #2	8	8
HSL-DI16DO16-M-NN	9	9

The scan time needs  $30.33 \mu \times 17$  at 6 Mbps, full duplex mode.

You can connect these modules with one master controller.

*Condition 2* An HSL-AI16AO2-VV module operates at 12 Mbps.

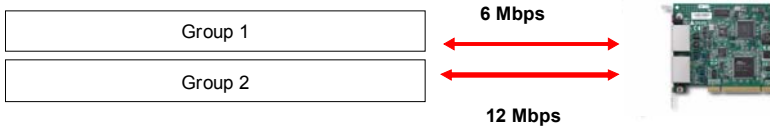
We recommended that you use the provided slave index configuration.

Group 1	DIP Switch	Index Occupation in HSL
HSL-DO32-M-N #1	1	1, 2
HSL-DO32-M-N #2	3	3, 4
HSL-DI16-UJ #1	5	5
HSL-DI16-UJ #2	6	6
HSL-DI16DO16-M-NN	7	7

The scan time needs  $30.33 \mu\text{s} \times 7$ . You may connect these modules with one master controller. The HSL-AI16AO2-M-VV module connects to another master controller. The management table below is for reference.

Group 2	DIP Switch	Index Occupation in HSL
HSL-AI16AO2-M-VV	1	1, 2

Refer to the illustration below.



The cycle time of the first master controller is  $30.33 \mu\text{s} \times 7$ , while the cycle time of second master controller is  $15.17 \mu\text{s} \times 11$  at 12 Mbps, full duplex mode.



## 5 MotionCreatorPro 2

After installing the hardware, it is necessary to correctly configure all cards and double check the system before running. This chapter gives guidelines for establishing a control system and manually testing the PCI-7856 to verify correct operation. The software provides a simple yet powerful means to setup, configure, test, and debug a motion control system that uses PCI-7856.

Note that MCP2 is only available for Windows 2000, XP and Vista with a screen resolution higher than 1024x768. Recommended screen resolution is 1024x768. It cannot be executed under the DOS environment.

## 5.1 Execute MotionCreatorPro 2

After installing the software drivers for the PCI-7856 in Windows, the MCP2 program can be located at <chosen path>\MCP2.exe. Double click this file to run the program.

## 5.2 About MotionCreatorPro 2

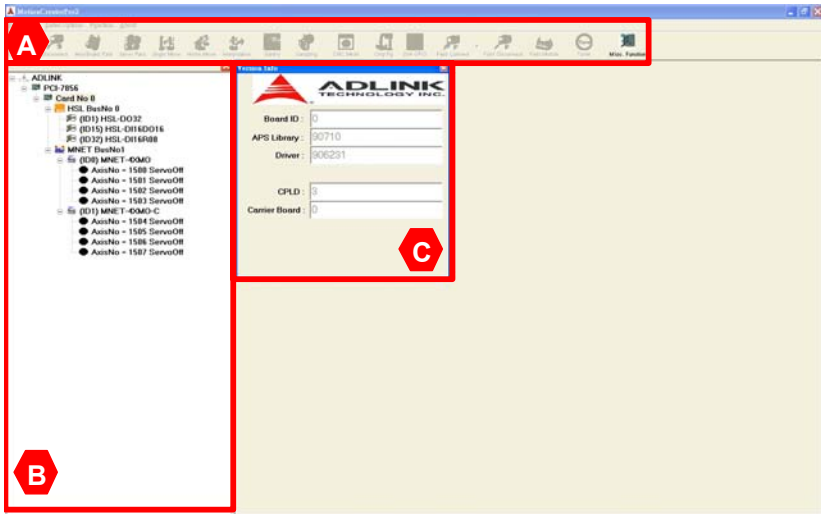
Before running MotionCreatorPro2, the following should be noted.

1. MotionCreatorPro2 is a program written by BCB 6.0, and is available only for Windows with a screen resolution higher than 1024x768. It cannot be run under DOS.
2. There are a couple files necessary for this program.
  - ▷ MCP2.mdb records parameters and graphics
  - ▷ MCPPro2.ini records initial setting
3. MCP2 is a high integration program that supports many ADLINK motion control cards. Multiple cards can be used in one system.


## 5.3 MotionCreatorPro 2 Form Introducing

### 5.3.1 Main Window






The main menu appears after running MotionCreatorPro 2. Refer to the following illustrations for a description of the available functions: File|Exit: Close and then exit this program.






- A. Icons for operation modes. Some will be active when a filed bus / motion item in the tree view was selected and some will be active when an axis item is selected.
- ▶ Functions Button: Use these buttons to select function you want test.
    - ▷ Configuration

Button	Function	Description
	Axis/Board Configuration	Configure axis or board parameter.

▷ Movement

Button	Function	Description
	Single Movement	Single Axis movement (PTP), include absolute and relative function.
	Home Return Movement	Home return movement.
	Interpolation	Interpolation function.
	Sampling	Sampling function, it can select source and draw its profile.
	2D Movement	Execute 2D motion movement

▷ Field Bus

Button	Function	Description
	Field Bus Connect	Connect Motionnet / HSL module. Please select baud rate at button right side and connect.
	Field Bus Disconnect	Disconnect Motionnet / HSL module.
	Field Bus Module Test	If connect correctly, select module and use this to do module test.

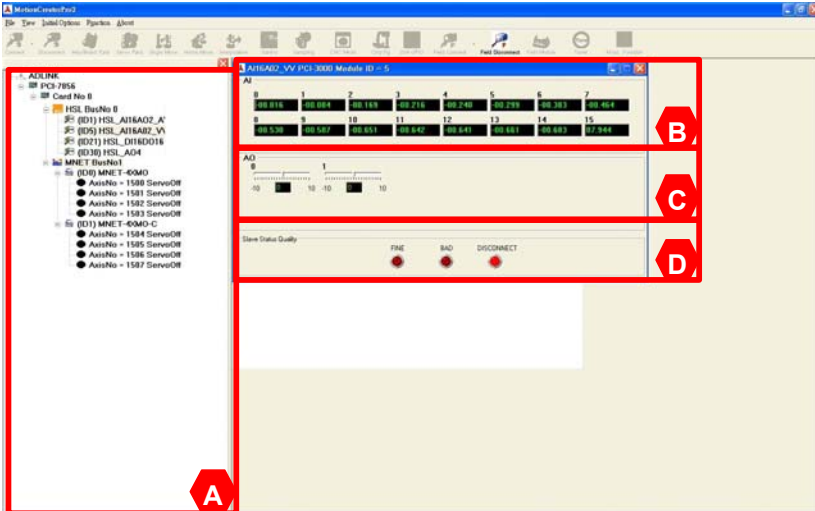
- B. All automation products found by MotionCreatorPro2.  
The tree view can displayed both motion axes and field bus I/O.

ICON	Function	Description
● (Yellow)	Warning	Servo Warning
● (Red)	Alarm	Servo Alarm
● (Black)	Normal (Servo OFF)	No Error and servo off
● (Green)	Normal (Servo ON)	No Error and servo on

- C. Board information about software, firmware and hardware version.

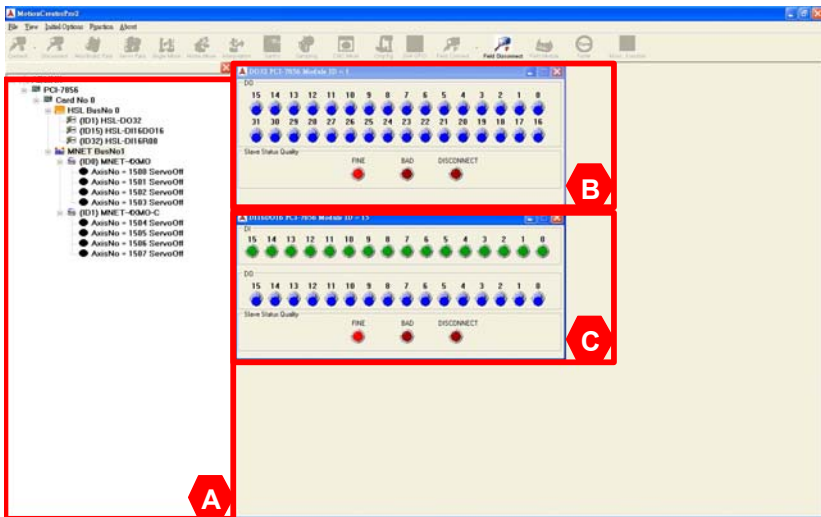
### 5.3.2 HSL Distributed I/O Manager

This page can be used to test the HSL system and slave modules. After executing the I/O management page, the main operation window shown below will appear. You can select the module for testing in the tree list of left window. The corresponding ID will also appear with each module. For example, the following figure shows the management pane for the HSL-AI16AO2-VV module. Analog input information is presented in this window and you can use the sliding bar to control the analog output.



#### Operation Instructions:

- A. Tree view of whole HSL and Motionnet modules
- B. Analog input presentation
- C. Analog output control panel
- D. Check the communication status of each module.



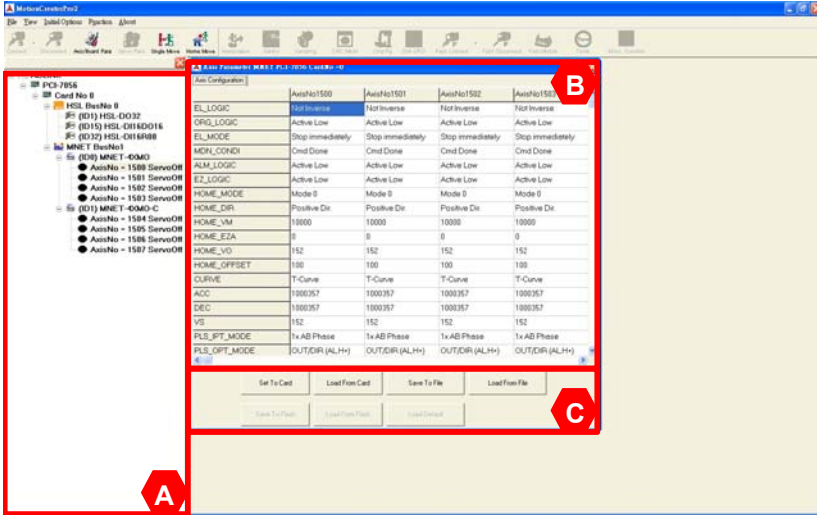
### Operation Instructions:

- A. Tree view of whole HSL and Motionnet modules
- B. Digital input presentation and digital output control
- C. Check the communication status of each module.

### 5.3.3 Motionnet Distributed Motion Manager

The Motionnet manager offers motion operations that include single axis operation, homing return operation, axis parameter setting, etc.

#### Parameters Management



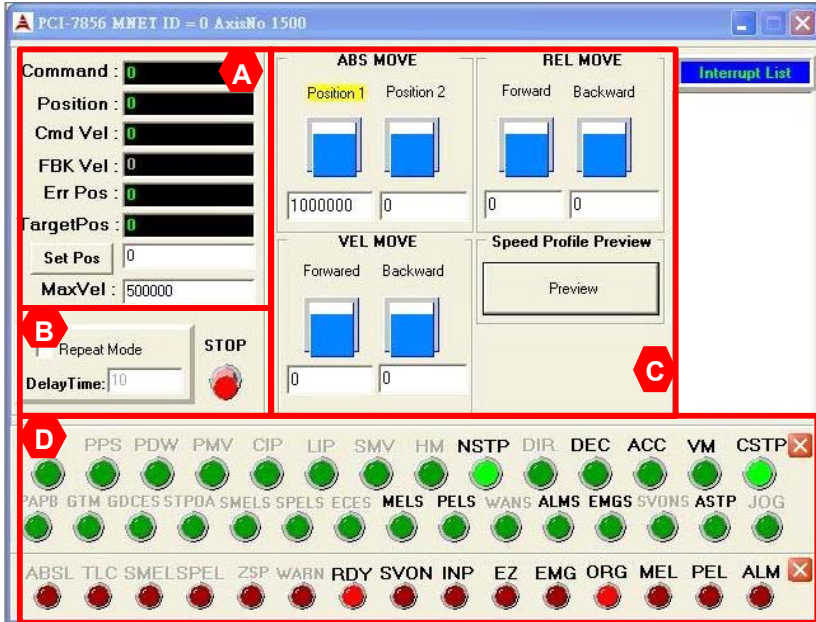
#### Operation Instructions:

- A. Parameter type display
- B. Parameter values of all axes
- C. Parameter management button for load/save parameters to flash or users' file. You must use set to card to make this table active.

**Operation hints:** Click the mouse right button, users can apply all parameters to other axes.



## Single Movement



### Operation Instructions:

- Command, feedback, error and target position information. Command and feedback speed information. The minimum speed value may limit by speed calculation cycle time for low speed display.
- Optional operation setting and button. The repeat mode check box can be used in relative and absolute mode. The axes will move between two positions or forward/backward distance cyclically. You can set the delay time between each move in unit of mini-second. The minimum value is 1ms. The stop button is for relative, absolute and velocity modes.

- C. Operation buttons and setting for 3 modes. You can switch operation between relative, absolute and velocity modes. The parameters of each mode must be set before operations such as position 1 and 2, forward/backward distance and forward/backward velocity. Remember to set MaxVel before executing relative and absolute mode. When using jog mode, the other three modes will be disabled.
- D. Motion status, I/O status and interrupt status display area.

## Home Return

PCI-7856 MNET ID = 25 AxisNo 1600

Home EZA: 0  
Home Offset: 100  
HomeVM: 10000  
HomeVO: 152

Select Mode: 0  
Home Direction: Positive

Command: 0  
Feedback: 0

Start Stop Set Param To Card Load Param From Card

PPS  PDW  PMV  CIP  LIP  SMV  HM  NSTP  DIR  DEC  ACC  VM  CSTP  
 PAPB  GTM  GDCE  STPO  ASME  SLE  SPE  L  ECES  MELS  PELS  WANS  ALMS  EMGS  SVONS  ASTP  JOG  
 ABSL  TLC  SMEL  SPEL  ZSP  WARN  RDY  SVON  INP  EZ  EMG  ORG  MEL  PEL  ALM

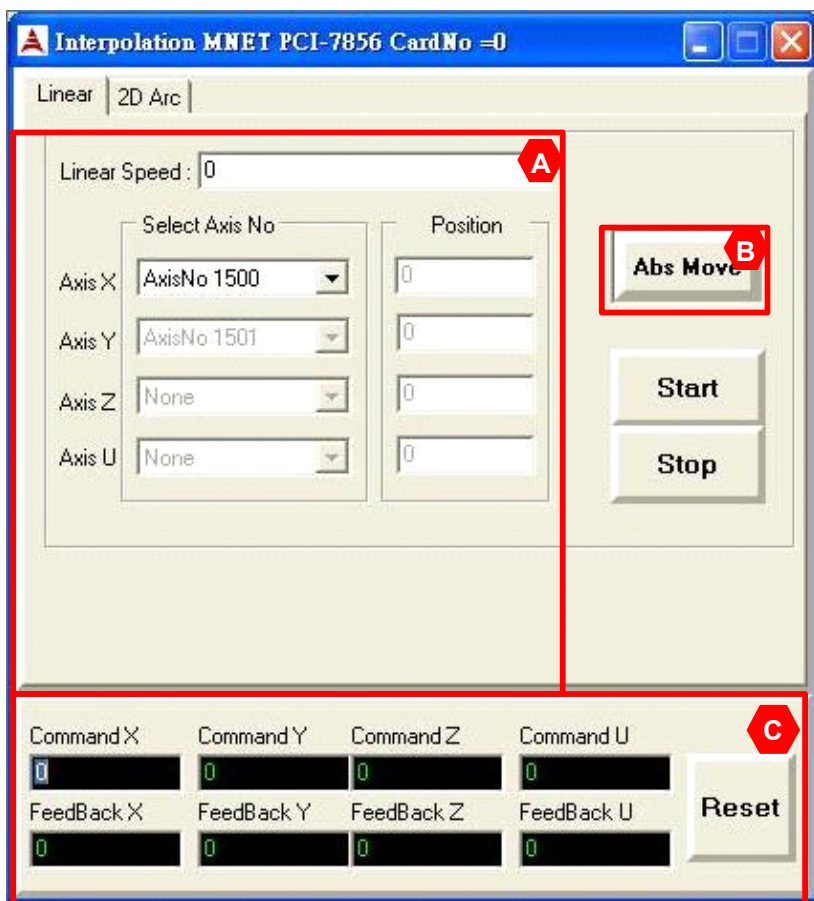
Home\_Search Mode = 0 ORG → Down → Stop

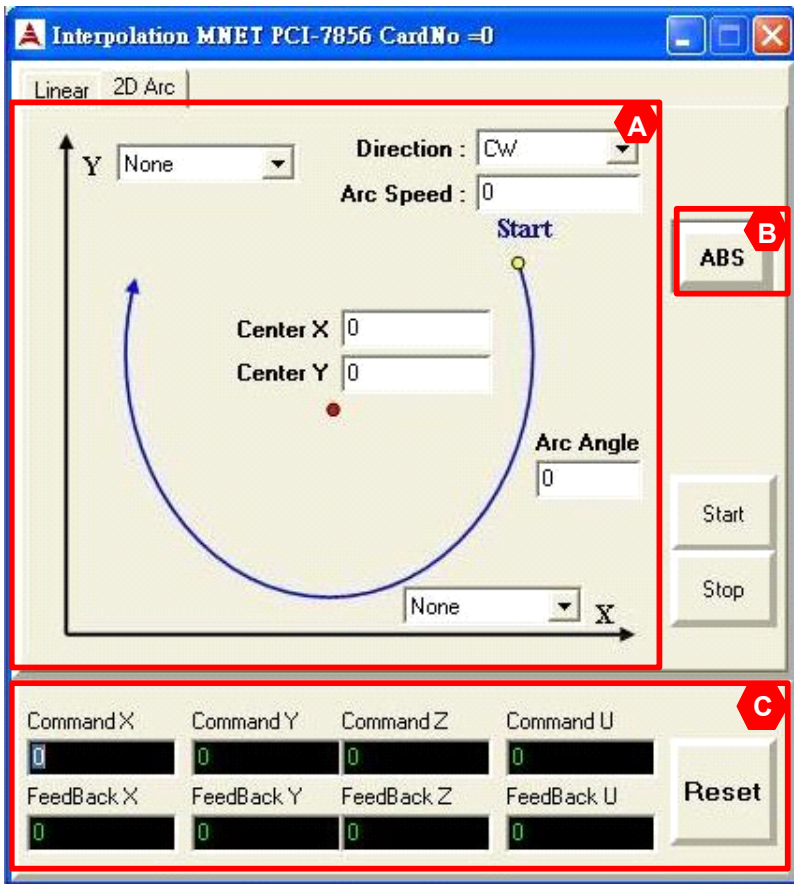
● Start Point  
VS Start Velocity  
VM Max Velocity

**Operation instructions:**

- A. Speed parameter of homing profile, please refer to the figure of area F.
- B. Modes setting of homing function, you can select one of items in pull down menu
- C. Command and position information when homing. After the home is done, the command counter will be reset to zero at the edge of ORG ON when VA speed.
- D. Operation button for start homing or stop/abort homing function
- E. Motion and I/O status when homing
- F. The timing chart of homing function

## Interpolation



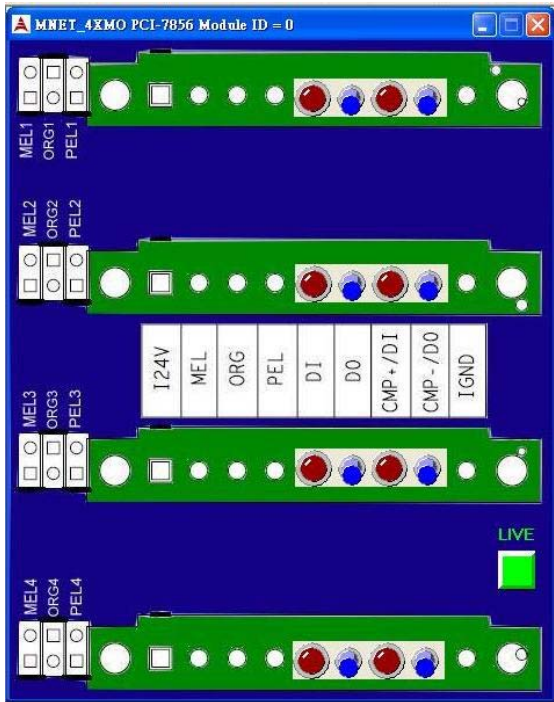


### Operation Instructions:

- A. Interpolation axes selection and operation parameter settings including center position in ARC mode or target position in Linear mode. The arc angle parameter can be larger than 360.
- B. Absolute or relative interpolation mode selection. In ARC mode, it relates to the center position. In Linear mode, it relates to the target position.
- C. Command and position information. In Arc mode, only two will be active.

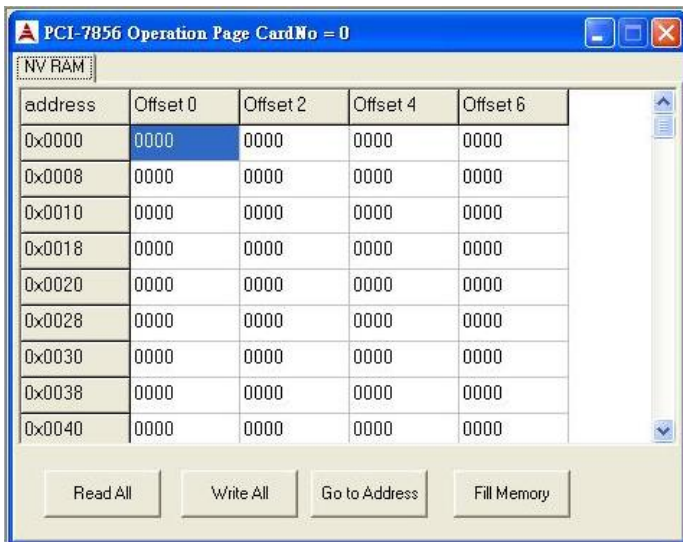
### Dedicated Motion I/O status

You are easily able to monitor or configure motion input and output channel well.



## NVRAM Write/Read Window

The PCI-7856 equipped with 32 KB of NVRAM. By using the write/read window, you can access and store the data in this non-violated memory directly.





## 5.4 Return Error Code

The meaning of error codes are described below:

- ▶ (-1) Operation System type mismatched
- ▶ (-2) Open device driver failed - Create driver interface failed
- ▶ (-3) System memory insufficient
- ▶ (-4) Cards not be initialized
- ▶ (-5) Cards not found (No card in your system)
- ▶ (-6) Duplicate cards ID
- ▶ (-7) Cards have been initialed
- ▶ (-8) Cards' interrupt events not enabled or not be initialized
- ▶ (-9) Function time out
- ▶ (-10) Function input parameters are invalid
- ▶ (-11) Set data to EEPROM failed
- ▶ (-12) Get data from EEPROM failed
- ▶ (-13) Function is not available in this step, The device is not support this function or Internal process failed
- ▶ (-14) Firmware error, please reboot the system
- ▶ (-15) Previous command is in process
- ▶ (-16) Duplicate Axis ID
- ▶ (-17) Slave module not found
- ▶ (-18) System ModuleNo insufficient
- ▶ (-51) Set data to SRAM failed
- ▶ (-52) Get data from SRAM failed
- ▶ (-1000) No such INT number, or WIN32\_API error, contact ADLINK's FAE staff



## 6 Scan Time Table

### 6.1 Full Duplex Mode

Slave Index No	Cycle Time under 2.5 Mbps	Cycle Time under 5.0 Mbps	Cycle Time under 10 Mbps	Cycle Time under 20 Mbps
Base Unit	60.67 $\mu$ s	30.33 $\mu$ s	15.17 $\mu$ s	15.17 $\mu$ s
< 3(*)	182.00 $\mu$ s	91.00 $\mu$ s	45.50 $\mu$ s	45.50 $\mu$ s
5	303.33 $\mu$ s	151.67 $\mu$ s	75.83 $\mu$ s	75.83 $\mu$ s
10	606.67 $\mu$ s	303.33 $\mu$ s	151.67 $\mu$ s	151.67 $\mu$ s
20	1.213 ms	606.67 $\mu$ s	303.33 $\mu$ s	303.33 $\mu$ s
30	1.820 ms	910.00 $\mu$ s	455.00 $\mu$ s	455.00 $\mu$ s
40	2.427 ms	1.213 ms	606.67 $\mu$ s	606.67 $\mu$ s
50	3.033 ms	1.516 ms	758.33 $\mu$ s	758.33 $\mu$ s
60	3.640 ms	1.820 ms	910.00 $\mu$ s	910.00 $\mu$ s
63	3.822 ms	1.911 ms	955.50 $\mu$ s	955.50 $\mu$ s

(\*) means the minimum scan time for full duplex mode at different transmission speed.



## 7 HSL-HUB/Repeater Information

### 7.1 Transfer Rates

Transfer rates recommended total extension distance and the number of inserted HSL-HUB/Repeater

Transmission Rate	Number of Inserted Hubs (Repeater)							
	Basic Configuration	1	2	3	4	5	6	7
3 Mbps	300 m	600 m	900 m	1.2 km	1.5 km	1.8 km	2.1 km	2.4 km
6 Mbps	200 m	400 m	600 m	800 m	1 km	1.2 km	1.4 km	1.6 km
12 Mbps	100 m	200 m	300 m	400 m	500 m	600 m	700 m	800 m

### 7.2 Scan time table

Full duplex / 12 Mbps

Number of inserted Hubs (Repeater)	Slave Index Number		
	3 (Min.)	30	63 (Max.)
Basic Configuration (0)	45.50 $\mu$ s	455.00 $\mu$ s	955.50 $\mu$ s
1	82.00 $\mu$ s	820.00 $\mu$ s	1722.00 $\mu$ s
2	118.00 $\mu$ s	1180.00 $\mu$ s	2478.00 $\mu$ s
3	154.00 $\mu$ s	1540.00 $\mu$ s	3234.00 $\mu$ s
4	190.00 $\mu$ s	1900.00 $\mu$ s	3990.00 $\mu$ s
5	226.00 $\mu$ s	2260.00 $\mu$ s	4746.00 $\mu$ s
6	262.00 $\mu$ s	2620.00 $\mu$ s	5502.00 $\mu$ s
7	298.00 $\mu$ s	2980.00 $\mu$ s	6258.00 $\mu$ s

### Full duplex / 6Mbps

Number of inserted Hubs (Repeater)	Slave Index Number		
	3 (Min.)	30	63 (Max.)
Basic Configuration (0)	91.00 $\mu$ s	910.00 $\mu$ s	1911.00 $\mu$ s
1	164.00 $\mu$ s	1640.00 $\mu$ s	3444.00 $\mu$ s
2	236.00 $\mu$ s	2360.00 $\mu$ s	4956.00 $\mu$ s
3	308.00 $\mu$ s	3080.00 $\mu$ s	6468.00 $\mu$ s
4	380.00 $\mu$ s	3800.00 $\mu$ s	7980.00 $\mu$ s
5	452.00 $\mu$ s	4520.00 $\mu$ s	9492.00 $\mu$ s
6	524.00 $\mu$ s	5240.00 $\mu$ s	11004.00 $\mu$ s
7	596.00 $\mu$ s	5960.00 $\mu$ s	12516.00 $\mu$ s

### Full duplex / 3Mbps

Number of inserted Hubs (Repeater)	Slave Index Number		
	3 (Min.)	30	63(Max.)
Basic Configuration (0)	182.00 $\mu$ s	1820.00 $\mu$ s	3822.00 $\mu$ s
1	328.00 $\mu$ s	3280.00 $\mu$ s	6888.00 $\mu$ s
2	472.00 $\mu$ s	4720.00 $\mu$ s	9912.00 $\mu$ s
3	616.00 $\mu$ s	6160.00 $\mu$ s	12936.00 $\mu$ s
4	760.00 $\mu$ s	7600.00 $\mu$ s	15960.00 $\mu$ s
5	904.00 $\mu$ s	9040.00 $\mu$ s	18984.00 $\mu$ s
6	1048.00 $\mu$ s	10480.00 $\mu$ s	22008.00 $\mu$ s
7	1192.00 $\mu$ s	11920.00 $\mu$ s	25032.00 $\mu$ s