



Main Features

- 10.4" XGA TFT LCD monitor
- Compact and fanless design
- Built-in Intel® Atom™ D2550 processor
- Automatic/manual brightness control
- On screen F1 ~ F10 function key
- Wake on RTC/SMS/LAN
- Variety wireless communication options
- Robust design with Die-cast aluminum
- All enclosure compliant with IP65
- Wide range DC input from 9 ~ 36V
- Optional sunlight readable solution with 1000nits

Product Overview

VMC 3000/3001, 10.4-inch all in one robust vehicle mount computer, is designed for the transportation, warehouses and material handling application. Adopting the latest high performance processor Intel® Atom™, it integrates the high resolution LCD with the brightness of 400 nits and 5-wire resistive touch sensor. VMC 3000/3001 is extreme ruggedness, the aluminum enclosure compliant with NEMA4/IP65 is designed against vibration, dust, moisture and chemical impacts. It does not compromise with its space to scarify its functional features. It provides RS-232, USB 2.0, CFast, LAN and two mini-PCIe extensions for variety communication options. The latitude of mounting methods offers easy installation in the vehicles. Thus, the VMC 3000/3001 is an ideal solution for vehicle terminal on forklifts, straddle carriers, truck, mining vehicles, construction machines and marine.

Specifications

General

- Cooling System: Fanless
- Enclosure: Die-cast aluminum
- Mounting: Support VESA 75/100, Panel and stand mounting
- Three SMA Type antenna connectors of BT/Wi-Fi/WWAN
- Power Input: 9 ~ 36VDC input with Ignition
- Power Consumption: 26W typical
- Ingress Protection: IP65 (VMC 3000 only Front Panel IP65)
- Dimension: 290mm (W) x 230mm (H) x 68mm (D) (11.4" x 9" x 2.7")
- Weight: 3Kg, 6.61Lb

LCD Panel

- 10.4-inch TFT LCD panel with LED backlight
- 1024 x 768 pixels (XGA)
- Brightness: 400 cd/m² (typical)
- Optional high brightness for sunlight-readable with 1200cd/m²
After touch screen is 1000 cd/m²
- Contrast ratio: 600:1 (typical)

Touch Screen Sensor

- 5-wire resistant touch
- Anti-glare coating surface
- Transmission rate: 81 ± 3%

CPU & Chipset

- Intel® Atom™ D2550 1.86GHz

- Intel® ICH10R

Memory

- One 204-pin DDR3 1333MHz SO-DIMM slot (up to 4GB)

Expandable Storage

- 1 x CFast
- 1 x 2.5" SATA SSD bay

Expansion

- 1 x mini-PCIe socket (PCIe + USB) for WLAN option
- 1 x mini-PCIe socket (USB) x 1 For WWAN option
- 2 x OBDII module with J1939 for option

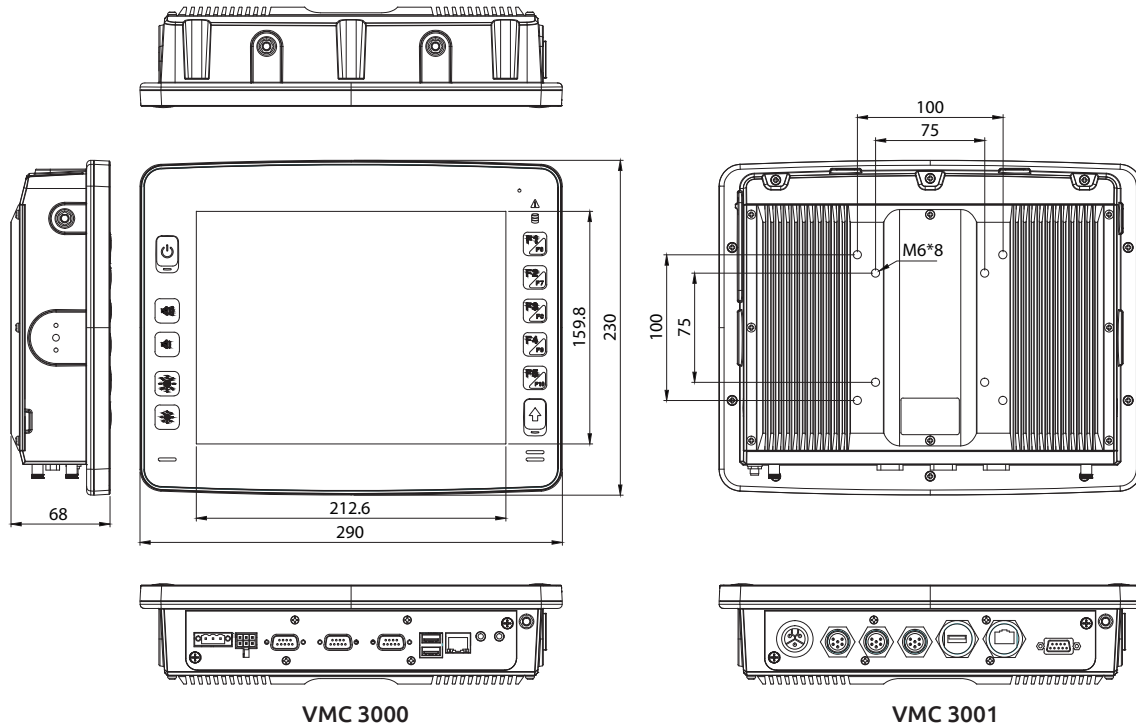
I/O Interface-Front

- On screen display buttons x 5
Power on/off
Volume control (+/-)
Brightness control (+/-)
- Light sensor
- 4 x LED indicators (Power on/off, Storage, Warning, Shift)
- F1 ~ F10 functions key
- 2 x Built-in 2W speakers

I/O Interface-Lateral

- 1 x CFast card slot
- System reset button
- USB 2.0 host type A connector

Dimension Drawing



VMC 3000

VMC 3001

I/O Interface-Bottom

- Power connector (power, ignition, ground)
- 1 x RS-232 (VMC 3000 only)
- 1 x RS-232 with either 0, 5 or 12V on pin 9 for external devices
- 2 x USB 2.0 host (VMC 3501 only one USB)
- 1 x 10/100/1000Base-T1 x Mic-in, 1 x Line-out
- 1 x Mic-in, 1 x Line-out
- 1 x 3GPI and 3GPO or CAN Bus with J1939 optional
- Digital Input (source type; 0 ~ 30V)
- Digital Output (sink type; 20mA max)
- SMBus to support VTK 61B back up smart battery with charger
- 1 x SMA-type GPS antenna connector

Communication Module

- 1 x GPS module
- 1 x WLAN or Bluetooth module for optional
- 1 x WWAN module for optional

Power Management

- Selectable boot-up & shut-down voltage for low power protection
- HW design ready for 8-level delay time on/off at user's self configuration
- Power on/off ignition, software detectable
- Support S4 suspend mode; wake on RTC/SMS

Operating System

- WES2009
- WES 7E
- Win7 Pro Embedded

Environment

- Operating temperatures: Ambient with air -30°C to 60°C
- Storage temperatures: -30°C to 70°C
- Relative humidity: 10% to 90% (non-condensing)
- Vibration (random): 2g @5 ~ 500Hz
- Vibration
- Operating: MIL-STD-810G, 514.6 Procedure 1, Category 4
- Storage: MIL-STD-810G, 514.6 Procedure 1, Category 24

- Shock
- Operating: MIL-STD-810G, Method 516.6, Procedure I, trucks and semi-trailers= 20g
- Crash hazard: MIL-STD-810G, Method 516.6, Procedure V, ground equipment= 75g

Standards/Certifications

- CE approval , FCC Class B

Ordering Information

- **VMC 3000 (P/N: 10VC0300003X0)**
10.4" rugged vehicle mount computer with Intel® Atom™ D2550, 1G DDR3, touch screen, Front Panel IP65
- **VMC 3001 (P/N: 10VC0300100X0)**
10.4" rugged vehicle mount computer with Intel® Atom™ D2550, 1G DDR3, touch screen, IP65
- **VMC 3010 (P/N: 10VC0301000X0)**
10.4" rugged vehicle mount computer with Intel® Atom™ D2550, 1G DDR3, touch screen, Front Panel IP65, Sunlight readable
- **VMC 3011 (P/N: 10VC0301100X0)**
10.4" rugged vehicle mount computer with Intel® Atom™ D2550, 1G DDR3, touch screen, IP65, Sunlight readable
- **Bundle Accessories**
SSD bracket and screws, GPS antenna (5M), Power connector, Driver CD

Optional Accessories

| Part No. | Description |
|---------------|---|
| 4NCPF00314X00 | External Power Input Connector (Waterproof) |
| 4NCPF00613X00 | External Power Output and SM bus Connector (Waterproof) |
| 4NBDF00907X00 | External DB9 Connector |
| 4NBQF01001X00 | External GPIO Connector |
| 4NBQF00601X00 | External Audio Connector (Waterproof) |
| 5060600230X00 | External RJ45 Holder (Waterproof) |
| 60233US110X00 | External USB Cable 100cm (Waterproof) |