

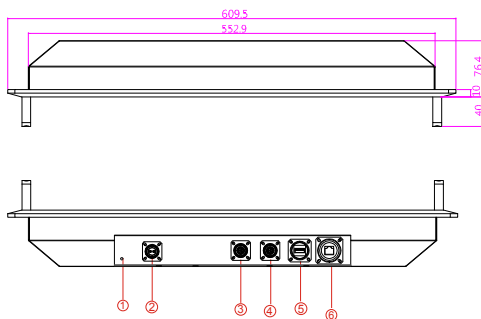
# Military Grade 24" Rack Mount Panel PC (Intel® Core i7 Platform)

MODEL #: W24IH3S-MLS1-89

## Mechanical Design



- 24" 1920x1200 High Resolution TFT-LCD
- Intel® Core i7 4650U 3.30GHz Processor
- Anti-Corrosion Housing / Fanless
- Compliant with MIL-STD-810F/G
- Flush Rack / Rack Mount Mechanical Design (9U)
- Convenient On-Screen Display Controls
- AC 110~240V Power input default / Isolation DC 9~36V Power input (Optional)
- Built-in Light Sensor for auto brightness control
- Military Grade Power Connector (MIL-DTL-38999/1 & 38999/3)

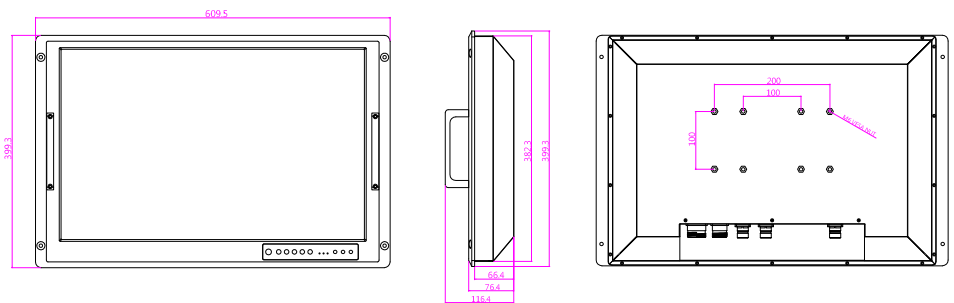


1. Ground
2. AC Power in (MIL-DTL-38999/1)
3. VGA (MIL-DTL-38999/3)
4. RS-232 (MIL-DTL-38999/3)
5. USB A Type (MIL-DTL-38999/3)
6. LAN (MIL-DTL-38999/3)

FRONT VIEW

SIDE VIEW

BACK VIEW



Measurements shown in mm.

- \* Tolerance of all dimensions is shown as follow 0~30 mm ± 0.1 mm, 30~50 mm ± 0.15 mm, 50~120 mm ± 0.2 mm, above 120 mm ± 0.25 mm.
- \* Note: this is a simplified drawing and some components are not marked in detail. Please contact our sales representative if you need further product information.

## Display Specification

### Characteristics :

- Resolutions : 1920 x 1200
- Brightness : 300 cd/m<sup>2</sup> (typ.)
- Contrast Ratio : 1000 : 1 (typ.)
- Viewing Angles : -89~89(H); -89~89(V)
- Max Colors : 16.7M (Colors)

### System Specifications :

- Processor BIOS : Intel® Core i7 4650U 3.30GHz
- Processor Graphics : AMI 16Mbit Flash
- Lan Controller : Intel® HD Graphics 5000
- System Memory : 1 x SO-DIMM DDR3L 1600, Default 4GB
- Storage Expansion : Intel® Ethernet Controller 1211-AT + Intel® Gigabit Etherne PHY 1218-LM
- Slot : mSATA SSD, Default 64GB
- : 1 x Mini PCIe slot (for USB module)

\* A customized housing is needed if you would like to have the PCI expansion.

### Power Specifications :

- Power Input : Default AC 110~240V in  
Optional isolation DC 9~36V in

### Environment Considerations :

- Operating Temperature : -20 deg. C to 60 deg. C
- Operating Humidity : 95%RH ±3%

### I/O Connectors :

- Plug & Play : VESA DDC 1/2B
- Back Panel I/O Port : 1 x Power Input (MIL-DTL-38999/1)  
1 x VGA (MIL-DTL-38999/3)  
1 x RS232 (MIL-DTL-38999/3)  
1 x USB A Type (MIL-DTL-38999/3)  
1 x LAN (MIL-DTL-38999/3)

### Order Information (Optional):

- Touch : 5 Wires Resistive / 5 Wire Resistive with EMI Coating
- Glass : EMI Coating Glass (Default AR Glass)
- OS : Windows Embedded Standard 7 Windows Embedded 8 Standard Windows Embedded 8.1 Industry

- Storage : mSATA SSD up to 256GB
- RAM : SO-DIMM DDR3 1666, max up to 8GB
- Power : Optional isolation 9~36V DC in

### Accessories :

- MIL-DTL-38999/1 Power cord
- MIL-DTL-38999/3 VGA Cable
- MIL-DTL-38999/3 RS232 Cable
- Driver & Manual CD