

IPC922-215-FL

2-slot Fanless System with Intel® Celeron® Processor J1900 (up to 2.42 GHz), PCIe & PCI Slots

NEW



Rich I/O



Phoenix plug for DC version



Din-jack (screw type) for AC version

Features

- Intel® Celeron® processor J1900 (up to 2.42 GHz)
- Fanless & ventilation-free
- Supports 2 expansion slots
- DC to DC power supply supports 18 ~ 28V
- Compact & front I/O design



▲ Rear view



Specifications

Standard Color	Sliver
Construction	Aluminum extrusion heavy-duty cold-rolled steel
System Board	SHB215
Processor	Intel® Celeron® processor J1900
System	Max. Speed 2.42 GHz
	Front Side Bus N/A
	Chipset SoC
System Memory	1 x 204-pin DDR3L 1333 SO-DIMM socket, up to 8 GB
I/O Interface (Front)	4 x USB 2.0 4 x RS-232-422-485 (COM 1/2/3/4) 2 x RJ-45 1 x VGA 1 x Remote switch 1 x Power on/off switch 1 x ATX/AT mode SW 1 x PS/2 key broad and mouse

Expansion Interface	HAB108: 2 PCI HAB103: 1 PCI & 1 PCIe x4
Storage	1 x 2.5" SATA HDD 1 x onboard CompactFlash™ socket
System Indicators	1 x power on/off, 1 x HDD
Power Supply	DC ATX 120W: Input : 18~28VDC Output: +5V @ 6A, +3.3V @ 5A, +12V @ 5A, -12V @ 0.1A, 5Vsb @ 2.5A AC-DC power adapter: Input: 100~240VAC Output: +19V @ 4.74A
Operation Temperature	-10°C ~ +50°C (14°F~122°F)
Storage Temperature	-20°C ~ +80°C (-4°F ~ +176°F)
Humidity	10% ~ 90%, non-condensing
Dimensions	118 mm (4.6") (W) x 248 mm (9.8") (D) x 185 mm (7.3") (H)
Weight (net/gross)	4.22 kg (9.28 lb)/5.3 kg (11.68 lb)
Certification	CE

Ordering Information

IPC922-215-FL-HAB103-AC (P/N: TBD)	2-slot fanless system with Intel® Celeron® processor J1900, PCI & PCIe slots, DC-in ATX 120W P/S and AC-DC 90W power adaptor and US power cord
IPC922-215-FL-HAB103-DC (P/N: TBD)	2-slot fanless system with Intel® Celeron® processor J1900, PCI & PCIe slots, DC-in ATX 120W P/S
IPC922-215-FL-HAB108-AC (P/N: TBD)	2-slot fanless system with Intel® Celeron® processor J1900, PCI slots, DC-in ATX 120W P/S and AC-DC 90W power adaptor and US power cord
IPC922-215-FL-HAB108-DC (P/N: TBD)	2-slot fanless system with Intel® Celeron® processor J1900, PCI slots, DC-in ATX 120W P/S

*Specifications and certifications are based on options and may vary.

Power Protection

AC Version

OVP (over voltage protection)

OCP (over current protection)

SCP (short circuit protection)

DC Version

SCP (short circuit protection)

OVP (over voltage protection)

OLP (over load protection)

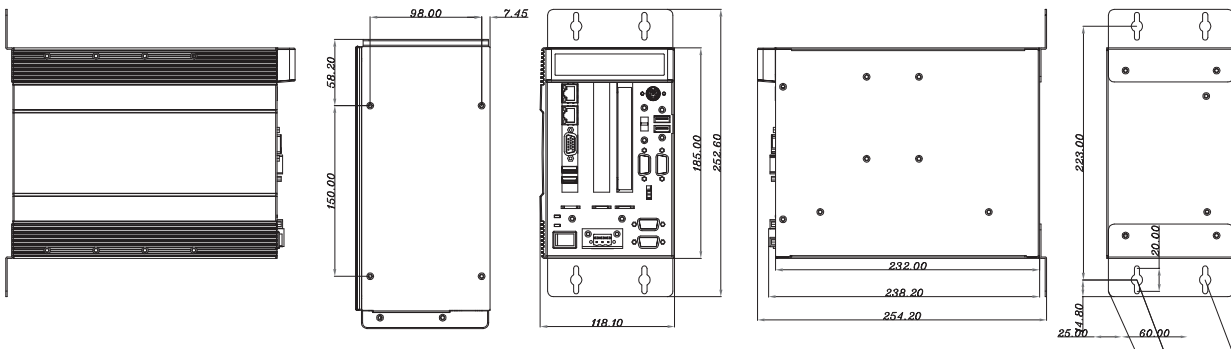
Optional Items

AX93221-18/36: DVI card
 40P-40P LVDS cable
 DVI bracket for AX93221
 2.5" SATA HDD: 250 GB, 320 GB, 500 GB
 DDR3 SO-DIMM: 2 GB, 4 GB, 8 GB

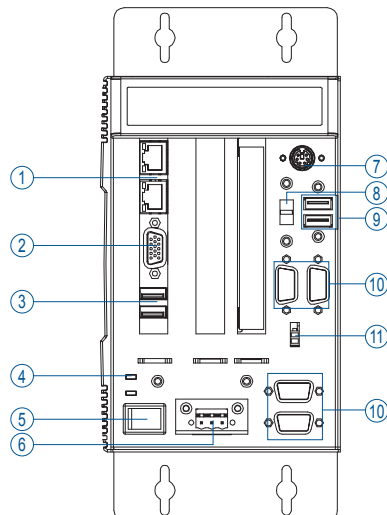
Packing List

19V 90W adaptor and US power cord (for AC version)
 Drive CD
 Quick manual
 Wall mount bracket x 2
 Foot pad x 4
 HDD bracket x 1
 Screw pack x 1
 Terminal Block x 1 (for DC version)
 Remote power switch cable x 1

Dimensions



Front & Rear Metal Panel I/O Layout



1. Ethernet x 2
2. VGA port
3. USB 2.0 x 2
4. LED for power & HDD
5. ATX power switch
6. Power connector (Din-jack or Phoenix plug)
7. PS/2 connector
8. AT/ATX Mode switch
9. USB 2.0 x 2
10. 4 x RS-232/422/485(COM 1/2/3/4)
11. Remote power switch

