

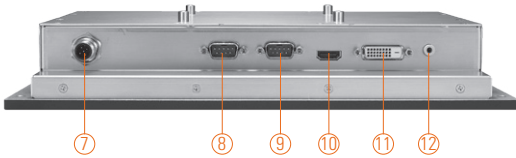
P6105

10.4" XGA Railway Touch Display with EN50155 T1 Class (-25°C ~ +55°C)

NEW



1. Menu
2. SEL+
3. SEL-
4. Exit
5. Power LED
6. Power switch



- | | |
|-------------------------------|-------------|
| 7. DC power input | 10. HDMI |
| 8. IR remote control (RS-232) | 11. DVI-D |
| 9. T/S Port (RS-232) | 12. Line-in |



▲ Side view



Introduction

The EN50155 railway touch panel computer P6105 adopts a 10.4-inch XGA TFT LCD with 500 nits brightness and a 5-wire resistive touch screen with IP65 grade aluminum front bezel to provide protection of liquid damage and user friendly control interface.

Wide Temperature (-25°C ~ +55°C) supported

The Axiomtek 10.4-inch railway touch monitor adopts extended temperature technology with a wide temperature range from -25°C ~ +55°C and fanless cooling system as well as super compact design for transportation & harsh environment.

High brightness 500 nits & wide viewing angle

The railway grade EN50155 touchscreen display P6105 adopts a high brightness 500 nits 10.4-inch LCD with sunlight readable technology. The screen is legible even under strong sunlight and is readable under skies outdoor in parking lots and more. With its wide viewing angle, user won't miss information on the display.

Anti-vibration for railway

With an anti-vibration design and EN50155 class T1 certification, the Axiomtek rugged 10.4" railway touch panel PC can work perfectly on the train.

Features

- EN50155 compliance for railway application
- 10.4" high brightness touchscreen XGA TFT LCD
- Wide viewing angle and high brightness 500 nits
- Multiple video inputs including DVI-D and HDMI
- Supports 5-wire resistive touch
- Supports light sensor for auto-dimming (optional)
- Front bezel NEMA 4/12 (IP65)-compliant
- 24VDC or 110VDC power input
- Wide temperature range from -25°C ~ +55°C
- Supports 5 keys OSD
- EN50155 T1 class for railway application
- Optional IR remote control
- Supports front panel mount and VESA 100, optional desktop stand

Specifications

Front Bezel	NEMA 4/12 (IP65)-compliant, metal front bezel	
LCD Panel	Display Type	10.4" TFT XGA LCD
	Max. Resolution	1024 x 768
	Max. Colors	16.2M/262k
	Active Area (mm)	210.4 (H) x 157.8 (V)
	Pixel Pitch (mm)	0.0685 (H) x 0.2055 (V)
	Response Time	25ms
	Backlight	LED
	Backlight MTBF	50,000 hrs
	Viewing Angle (H/V)	176°/176°
	Contrast Ratio	1000 (TYP.)
	Brightness (cd/m ²)	500 nits
	Display Control	OSD (on screen display)
Display Mode	VGA 640 x 480 (60/72 Hz)	
	SVGA 800 x 600 (60/72 Hz)	
	XGA 1024 x 768 (60/72 Hz)	



Specifications

Input Signal	HDMI DVI (Only for DVI-D) Touchscreen: Serial RS-232 Interface IR remote control LINE-IN
I/O Connectors	1 x RS-232 for touchscreen version 1 x HDMI 1 x DVI-D 1 x DC power input 1 x RS-232 for IR remote control 1 x LINE-IN
Power Adapter	24VDC or 110VDC power input
Touchscreen	Thickness Resistive: 2.2 mm Light Transmission Resistive: 80% Power Consumption Resistive: +5V @ 100mA Touch Life Resistive: 35million touches Controller interface: RS-232 D-type 9-pin male connector
Dimensions	310 mm (12.20") (W) x 49 mm (1.94") (D) x 214 mm (8.43") (H)
Packing Dimensions	372 mm (14.65") (W) x 175 mm (6.89") (W) x 412mm (16.2") (H)
Weight (net/gross)	2.2 kg (4.85 lb) /3.45 kg (7.61 lb)
Environment	Operating temperature: -25°C ~ +55°C (-13°F ~ +131°F) Storage temperature: -30°C ~ +80°C (-22°F ~ +176°F) Relative humidity: 20%-90%@40°C, non-condensing
Certificate	CE/EN50155

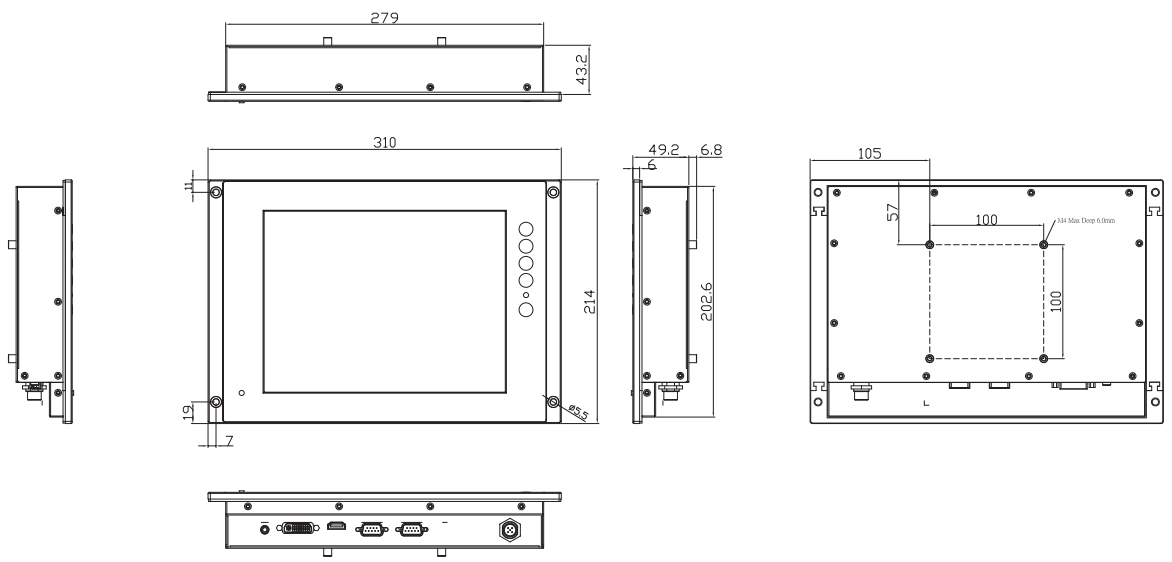
Ordering Information

P6105DPR-24VDC	10.4" XGA railway touch display with EN50155 T1 class (-25°C ~ +55°C)
----------------	---

* Specification and certifications are based on options and may vary.



Dimensions



Overview

Fanless Touch Panel Computers

Heavy-duty Fanless Touch Panel Computers

Industrial Touch Panel Computers

4

Industrial Touch panel Monitors

Infotainment Touch Panel Computers

Healthcare & Medical Solutions

Open Frame Panel Computers

Accessories

