



CS22D

2-Port USB DVI KVM Switch

Quick Start Guide

Simply Better Connections

© Copyright 2013 ATEN® International Co., Ltd. ATEN and the ATEN logo are trademarks of ATEN International Co., Ltd. All rights reserved. All other trademarks are the property of their respective owners.

This product is RoHS compliant.

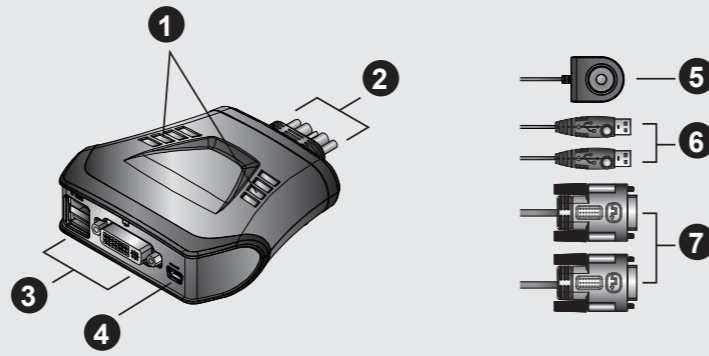
Part No. PAPE-1223-A60G Printing Date: 09/2013



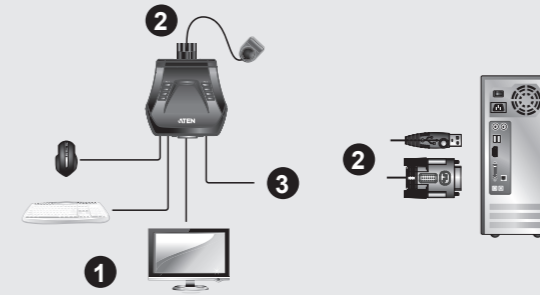
Package Contents

- 1 CS22D 2-Port USB DVI KVM Switch
- 1 User Instructions

A Hardware Review



B Hardware Installation



FEDERAL COMMUNICATIONS COMMISSION INTERFERENCE STATEMENT

This equipment has been tested and found to comply with the limits for a Class A digital device, pursuant to Part 15 of the FCC Rules. These limits are designed to provide reasonable protection against harmful interference when the equipment is operated in a commercial environment. This equipment generates, uses, and can radiate radio frequency energy and, if not installed and used in accordance with the instruction manual, may cause harmful interference to radio communications. Operation of this equipment in a residential area is likely to cause harmful interference in which case the user will be required to correct the interference at his own expense.

FCC Caution: Any changes or modifications not expressly approved by the party responsible for compliance could void the user's authority to operate this equipment.

Warning: This is a class A product. In a domestic environment this product may cause radio interference in which case the user may be required to take adequate measures.

Important Notice

Considering environmental protection, ATEN does not provide a fully printed user manual for this product. If the information contained in the Quick Start Guide is not enough for you to configure and operate your product, please visit our website www.aten.com, and download the full user manual.

Online Registration
<http://eservice.aten.com>

Technical Phone Support International:
886-2-86926959

North America:
1-888-999-ATEN Ext: 4988

United Kingdom:
44-8-4481-58923

The following contains information that relates to China:

部件名称	有害有害物质元素			
	铅	汞	六价铬	多溴联苯 多溴二苯醚
电源部件	○	○	○	○
结构部件	○	○	○	○

- 表示该有害物质在该部件所有均质材料中的含量均在SJ/T 11363-2006规定的限量要求之下。
- 表示符合欧盟的豁免条款，但该有害物质至少在该部件的某一均质材料中的含量超出SJ/T 11363-2006的限量要求。
- × 表示该有害物质至少在该部件的某一均质材料中的含量超出SJ/T 11363-2006的限量要求。

All information, documentation, and specifications contained in this package are subject to change without prior notification by the manufacturer.

CS22D 2-Port USB DVI KVM Switch Quick Start Guide www.aten.com

Hardware Review A

1. Port LEDs
2. KVM Cables
3. Console Ports
4. USB Power In
5. Remote Port Selector
6. USB Keyboard and Mouse Connectors
7. DVI Connectors

2. Plug the USB and DVI connectors of the attached KVM cables into their respective ports on the computers you are installing.

Note: If there is only one USB port on the computer, you can connect a USB hub to the computer, then plug the Keyboard/Mouse cable into the USB hub.

3. (Optional) If the power supply to your attached USB peripheral(s) is not sufficient, plug in USB cable to the Mini USB power jack to get power from another USB power source. (i.e., PC, USB hub, 5V USB power adapter)

Note : The USB to mini USB cable is not included in this package. Contact your product dealer for more details.

Hardware Installation B

1. Plug your USB keyboard, USB mouse, and monitor into their respective ports on the CS22D.

Note : The USB port(s) can be used for USB peripheral sharing. To do so, plug the peripherals and your keyboard or mouse into a USB hub, then plug the hub into the keyboard or mouse port.

Conmutador KVM de 2 puertos para USB con DVI CS22D - Guía rápida www.aten.com

Presentación del hardware A

1. Indicadores LED de los puertos
2. Cables KVM
3. Puertos de consola
4. Entrada de alimentación USB
5. Selector de puertos independiente
6. Conectores USB para teclado y mouse
7. Conectores DVI

2. Conecte los conectores USB y DVI de los cables KVM incluidos a los puertos correspondientes de cada una de las computadoras que quiera instalar.

Nota : si su computadora solo tiene un puerto USB, podrá conectar un concentrador USB a la computadora y conectar los cables para teclado y mouse al concentrador USB.

Instalar el hardware B

1. Conecte su teclado USB, mouse USB y monitor a los puertos correspondientes del CS22D.

Nota : El/los puerto(s) USB se puede(n) utilizar para compartir dispositivos USB. Para ello, conecte los periféricos y su teclado o mouse a un concentrador USB y luego conecte el concentrador al puerto para teclado o mouse.

3. (Opcional) Si el suministro eléctrico de los periféricos USB conectados no es suficiente, enchufe un cable USB a la toma Mini USB para obtener energía eléctrica de una fuente de energía USB externa. (Por ejemplo un PC, concentrador USB, adaptador de alimentación USB de 5 V)

Nota : El cable USB a Mini USB no está incluido en el paquete. Póngase en contacto con su revendedor para más información.

Guide de démarrage rapide du commutateur KVM DVI USB à 2 ports CS22D www.aten.com

Description de l'appareil A

1. Voyants des ports
2. Câbles KVM
3. Ports de console
4. Entrée d'alimentation USB
5. Sélecteur de port distant
6. Connecteurs clavier et souris USB
7. Connecteurs DVI

concentrateur USB et ce dernier sur le port de clavier ou souris.

2. Reliez les connecteurs DVI et USB des câbles KVM fournis aux ports correspondants des ordinateurs à installer.

Remarque : S'il n'y a qu'un seul port USB sur l'ordinateur, vous pouvez connecter un concentrateur USB à l'ordinateur et brancher ensuite le câble de clavier/souris sur le concentrateur USB.

3. (En option) Si l'alimentation du ou des périphériques USB raccordés n'est pas suffisante, raccordez un câble USB au connecteur d'alimentation mini USB pour obtenir de l'alimentation depuis une autre source d'alimentation USB (PC, concentrateur USB, adaptateur secteur USB 5 V, etc.).

Remarque : Le câble USB vers mini USB n'est pas inclus dans la livraison. Contactez votre revendeur pour plus de détails.

Switch KVM USB DVI CS22D a 2 porte – Guida rapida www.aten.com

Hardware A

1. LED delle porte
2. Cavi KVM
3. Porte di collegamento alla consola
4. Ingresso alimentazione USB
5. Selettore remoto della porta
6. Connettori USB di tastiera e mouse
7. Connettori DVI

2. Inserire i connettori USB e DVI dei cavi KVM in dotazione nelle rispettive porte sui computer che si stanno installando.

Nota : Se il computer è dotato di una sola porta USB, è possibile collegarci un hub USB e poi inserire il cavo della tastiera/mouse nell'hub USB.

Installazione dell'hardware B

1. Collegare la tastiera USB, il mouse USB e il monitor alle rispettive porte sul CS22D.

Nota : La/e porta/e USB può/possono essere utilizzata/e per la condivisione di periferiche USB. A tal fine, collegare le periferiche e la tastiera o il mouse a un hub USB e poi inserire l'hub nella porta della tastiera o del mouse.

3. (Opzionale) Se l'alimentazione delle periferiche USB collegate è insufficiente, collegare il cavo USB alla presa di alimentazione Mini USB per ricevere alimentazione da un'altra sorgente d'alimentazione USB. (p.es. PC, hub USB, alimentatore USB da 5V)

Nota : il cavo da USB a mini USB non è incluso nella confezione. Rivolgersi al proprio rivenditore per maggiori dettagli.

CS22D 2-Port-KVM-Switch mit USB für DVI-Grafik Kurzanleitung www.aten.com

Hardwareübersicht A

1. Port-LEDs
2. KVM-Kabel
3. Konsolports
4. Buchse für Stromversorgung über USB-Bus
5. Unabhängiger Port-Auswahlschalter
6. USB-Tastatur- und Mausanschlüsse
7. Anschlüsse für DVI

an ein USB-Hub und den Hub an den Tastatur- bzw. Mausport an.

2. Verbinden Sie die USB- und DVI des mitgelieferten KVM-Kabels mit den entsprechenden Ports der zu installierenden Computer.

Hinweis: Besitzt Ihr Computer nur einen USB-Port, können Sie einen USB-Hub mit dem Computer und die Tastatur- und Maus kabel mit dem USB-Hub verbinden.

3. (Optional) Falls die Stromversorgung der angeschlossenen USB-Geräte nicht ausreicht, verbinden Sie das USB-Kabel mit der Mini-USB-Buchse für die Stromversorgung, um mehr Strom von einer anderen USB-Stromquelle zu erhalten. (Zum Beispiel PC, USB-Hub, 5-V-USB-Netzteil)

Hinweis: Das USB-auf-Mini-USB-Kabel ist nicht im Lieferumfang enthalten. Wenden Sie sich für weitere Details an Ihren Fachhändler.

Краткое руководство пользователя 2-портового KVM-переключателя USB DVI CS22D www.aten.com

Обзор оборудования A

1. Индикаторы портов
2. KVM-кабели
3. Порты консоли
4. Вход питания USB
5. Удаленный переключатель порта
6. Разъемы клавиатуры и мыши USB
7. Разъемы DVI

концентратор к порту клавиатуры или мыши.

2. Подключите разъемы USB и DVI комплектов KVM-кабелей к соответствующим портам устанавливаемых компьютеров.
Примечание. Если на компьютере имеется только один USB-порт, можно подключить к компьютеру USB-концентратор, а затем подключить к USB-концентратору кабель клавиатуры/мыши.

Установка оборудования B

1. Подключите клавиатуру USB, мышь USB и монитор к соответствующим портам CS22D.

Примечание. USB-порт(ы) может использоваться для общего доступа к периферийным USB-устройствам. Для этого подключите периферийные устройства и клавиатуру или мышь к USB-концентратору, а затем подключите

3. (Дополнительно) Если на подключенное периферийное USB-оборудование подается недостаточно питания, подключите USB-кабель в гнездо питания мини-USB, чтобы получить питание из другого источника питания USB. (т.е., ПК, концентратор USB, 5 В адаптер питания USB)
Примечание. Кабель USB на мини-USB не входит в комплект поставки. Для получения дополнительных сведений обращайтесь к вашему поставщику продуктов.

