

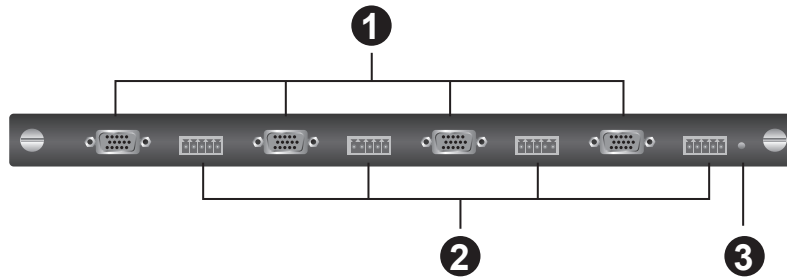
VM7104

4-Port VGA Input Board Quick Start Guide

Package Contents

- 1 VM7104 4-Port VGA Input Board
- 4 Terminal Block Connectors
- 1 User Instructions

VM7104 Front View



Hardware Review

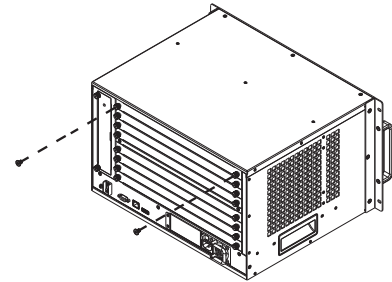
VM7104 Front View

1. VGA Input Ports
2. Audio Input Ports
3. Status LED

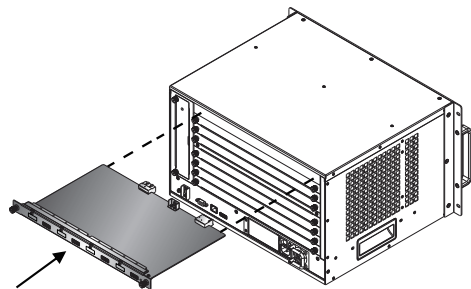
Hardware Setup

VM7104 Board Installation

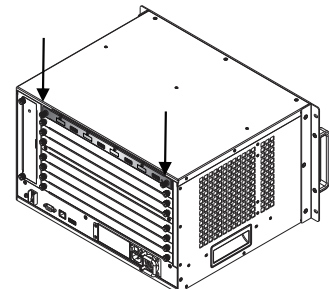
1. (Optional) Power off the Modular Matrix switch.
Note: The VM1600 I/O boards are hot swappable.
2. On the rear of the VM1600, unscrew the two Phillips head screws and remove the back panel cover.
Note: The four upper slots are for input boards; the four lower slots are for output boards.



3. Slide the VM7104 board into the open slot on the VM1600 until it secures in place.



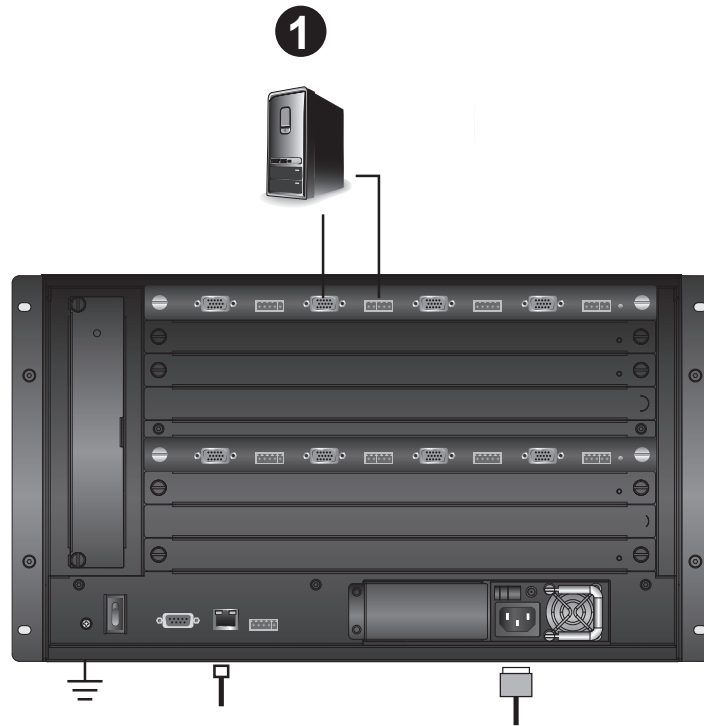
4. Tighten the two screws on the VM7104 board to fasten it to the Modular Matrix Switch, until it's secured to the unit



5. Repeat the steps above if you are installing additional I/O boards.
6. (Optional) Power on the Modular Matrix Switch.

Installation

1. Using VGA cables connect the video sources to the VGA input ports on the VM7104.
2. Connect the audio source device to the audio input port on the VM7104.
3. (Optional) Power on the Modular Matrix Switch and all devices.



Important Notice

Considering environmental protection, ATEN does not provide a fully printed user manual for this product. If the information contained in the Quick Start Guide is not enough for you to configure and operate your product, please visit our website www.aten.com, and download the full user manual.

Online Registration
<http://eservice.aten.com>

Technical Phone Support International:
886-2-86926959

North America:
1-888-999-ATEN
Ext: 4988

United Kingdom:
44-8-4481-58923



This device complies with Part 15 of the FCC Rules. Operation is subject to the following two conditions: (1) this device may not cause harmful interference, and (2) this device must accept any interference received, including interference that may cause undesired operation.

The following contains information that relates to China:

部件名称	有害有害物质或元素			
	铅	汞	六价铬	多溴联苯 多溴二苯醚
电源部分	○	○	○	○
结构部分	○	○	○	○

- : 表示该有害物质在该部件所有均质材料中的含量均在SJ/T 11363-2006规定的限量要求之下。
- : 表示符合欧盟的豁免条款, 但有害物质至少在部件的某一均质材料中的含量超出SJ/T 11363-2006的限量要求。
- ×: 表示该有害物质至少在部件的某一均质材料中的含量超出SJ/T 11363-2006的限量要求。

EMC Information

FEDERAL COMMUNICATIONS COMMISSION INTERFERENCE STATEMENT:

This equipment has been tested and found to comply with the limits for a Class A digital device, pursuant to Part 15 of the FCC Rules. These limits are designed to provide reasonable protection against harmful interference when the equipment is operated in a commercial environment. This equipment generates, uses, and can radiate radio frequency energy and, if not installed and used in accordance with the instruction manual, may cause harmful interference to radio communications. Operation of this equipment in a residential area is likely to cause harmful interference in which case the user will be required to correct the interference at his own expense.

FCC Caution: Any changes or modifications not expressly approved by the party responsible for compliance could void the user's authority to operate this equipment.

CE Warning: This is a class A product. In a domestic environment this product may cause radio interference in which case the user may be required to take adequate measures.

Suggestion: Shielded twisted pair (STP) cables must be used with the unit to ensure compliance with FCC & CE standards.

All information, documentation, firmware, software utilities, and specifications contained in this package are subject to change without prior notification by the manufacturer. Please visit our website <http://www.aten.com/download/?cid=dds> for the most up-to-date versions.

© Copyright 2015 ATEN® International Co., Ltd.

ATEN and the ATEN logo are trademarks of ATEN International Co., Ltd. All rights reserved. All other trademarks are the property of their respective owners.

This product is RoHS compliant.