

KE69 Dual Rack Mount Kit - 2X-021G

User Instructions

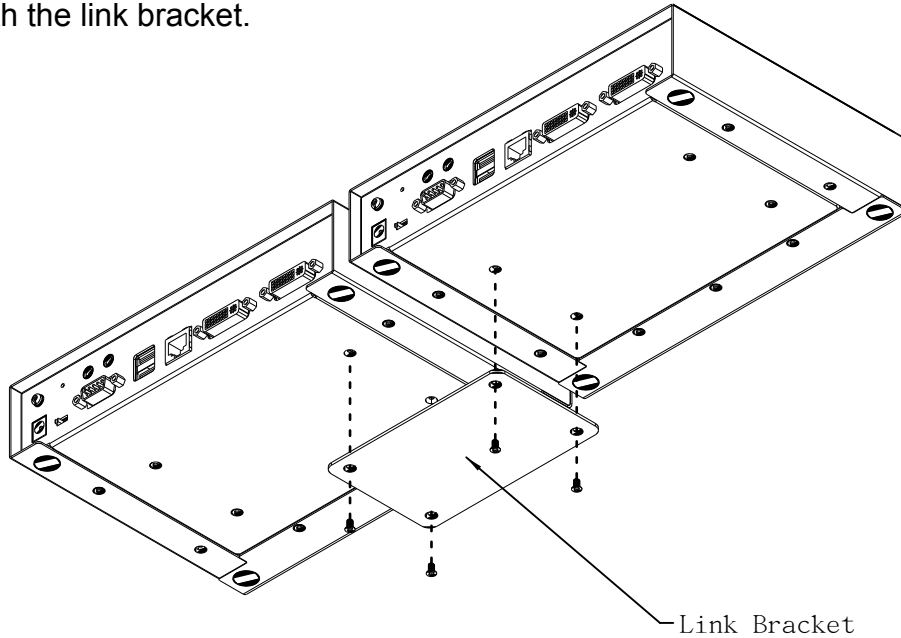
This dual rack mounting kit installs two KE6900 units side by side in 1U of server rack space.

Package Contents:

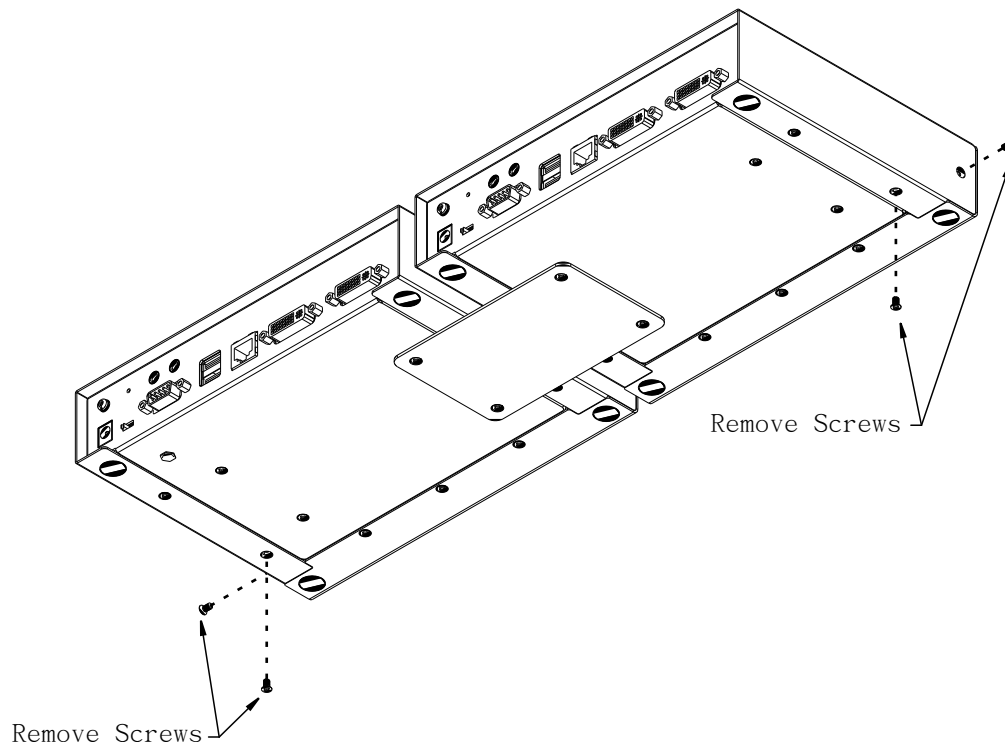
- 1 x Link Bracket
- 1 x Right Mounting Bracket
- 1 x Left Mounting Bracket
- 4 x Phillips Head Hex Screws
- 4 x Flat Screws

Installation:

1. Remove four screws from the KE6900 units and then use the same screws to secure the units together with the link bracket.



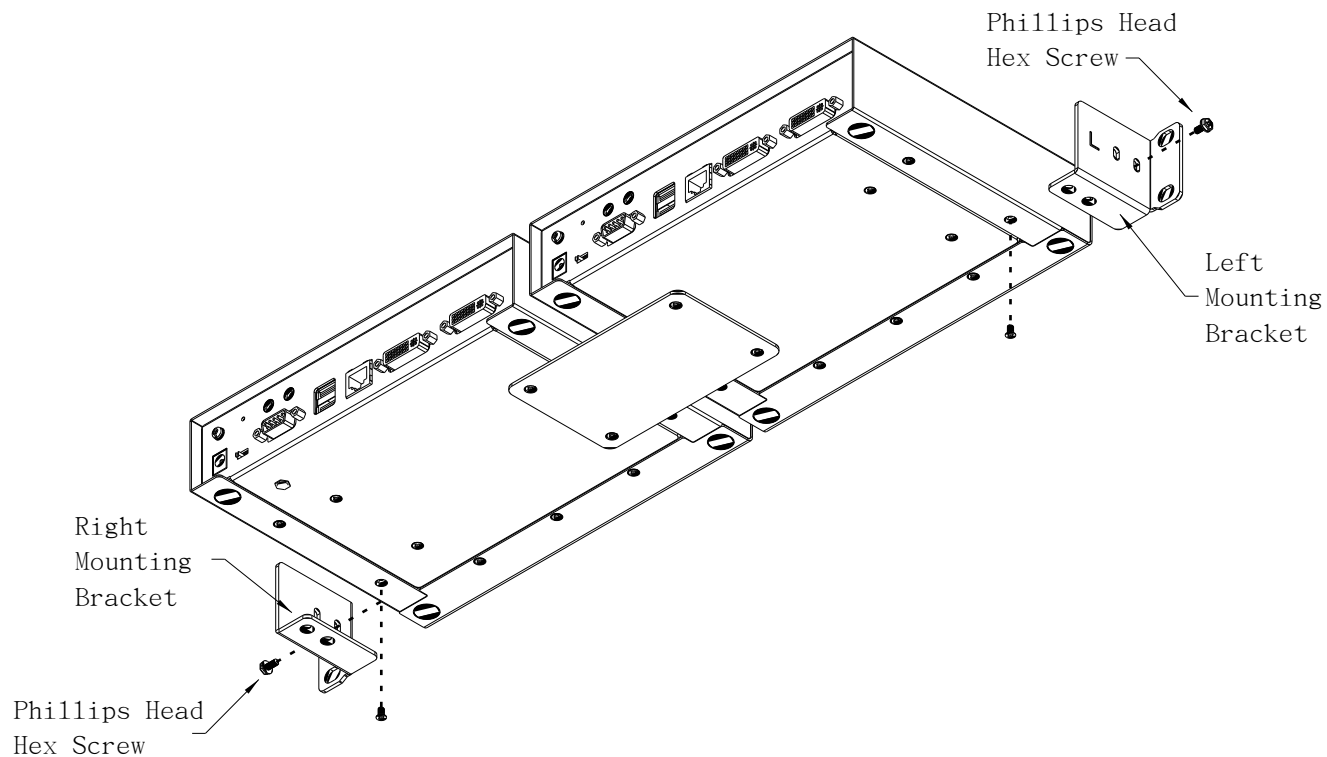
2. Remove the bottom and side screw from each KE6900 unit.



KE69 Dual Rack Mount Kit - 2X-021G

User Instructions

3. Use the screws from step 2 to install the left and right mounting brackets.



4. Screw the mounting brackets to the rack.

