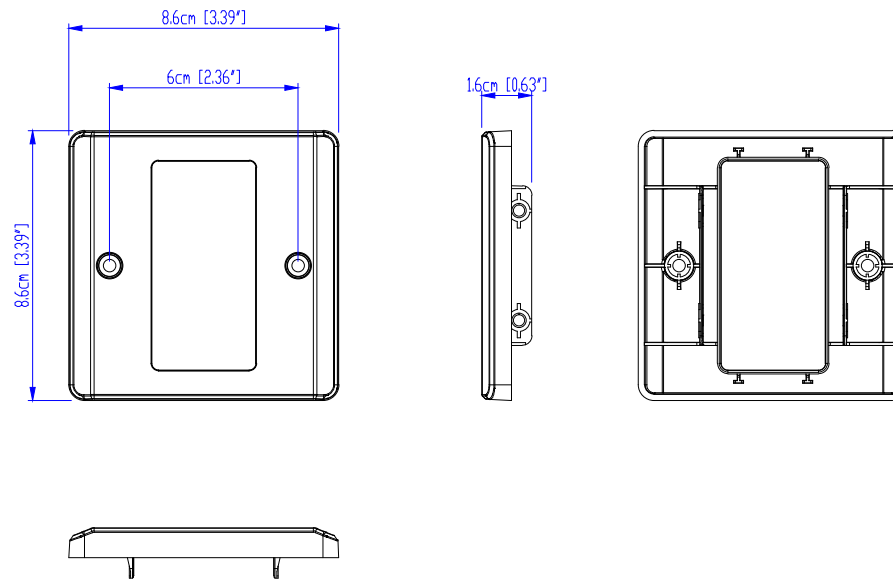
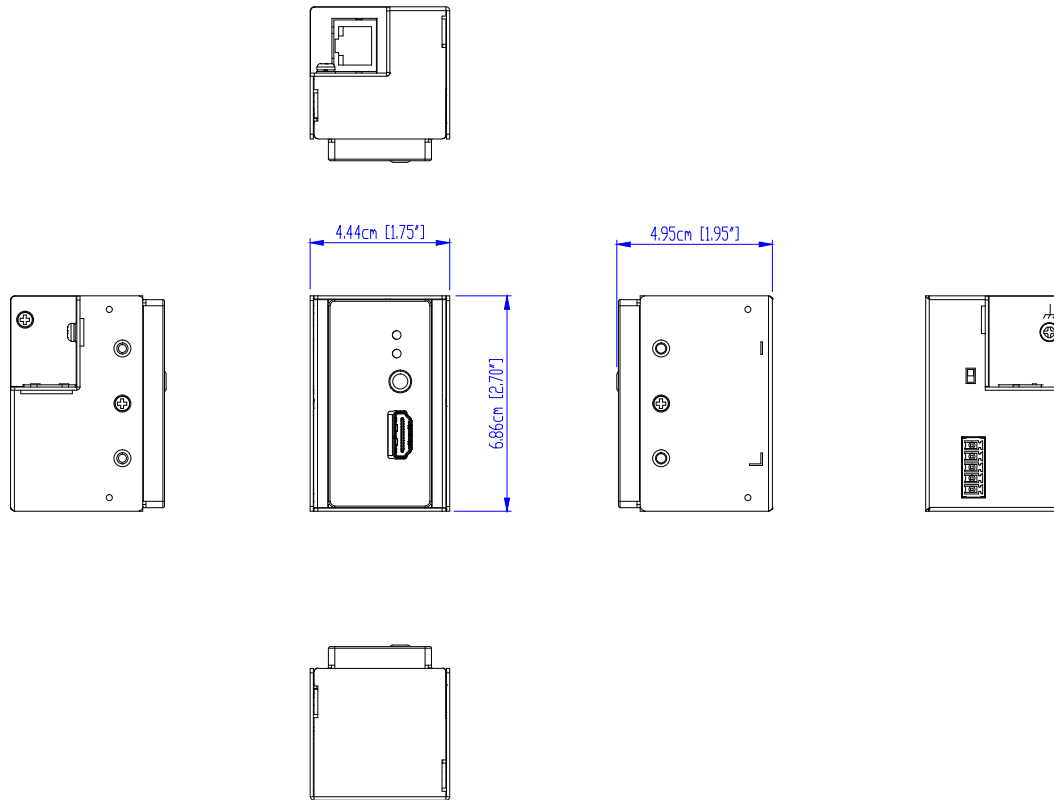


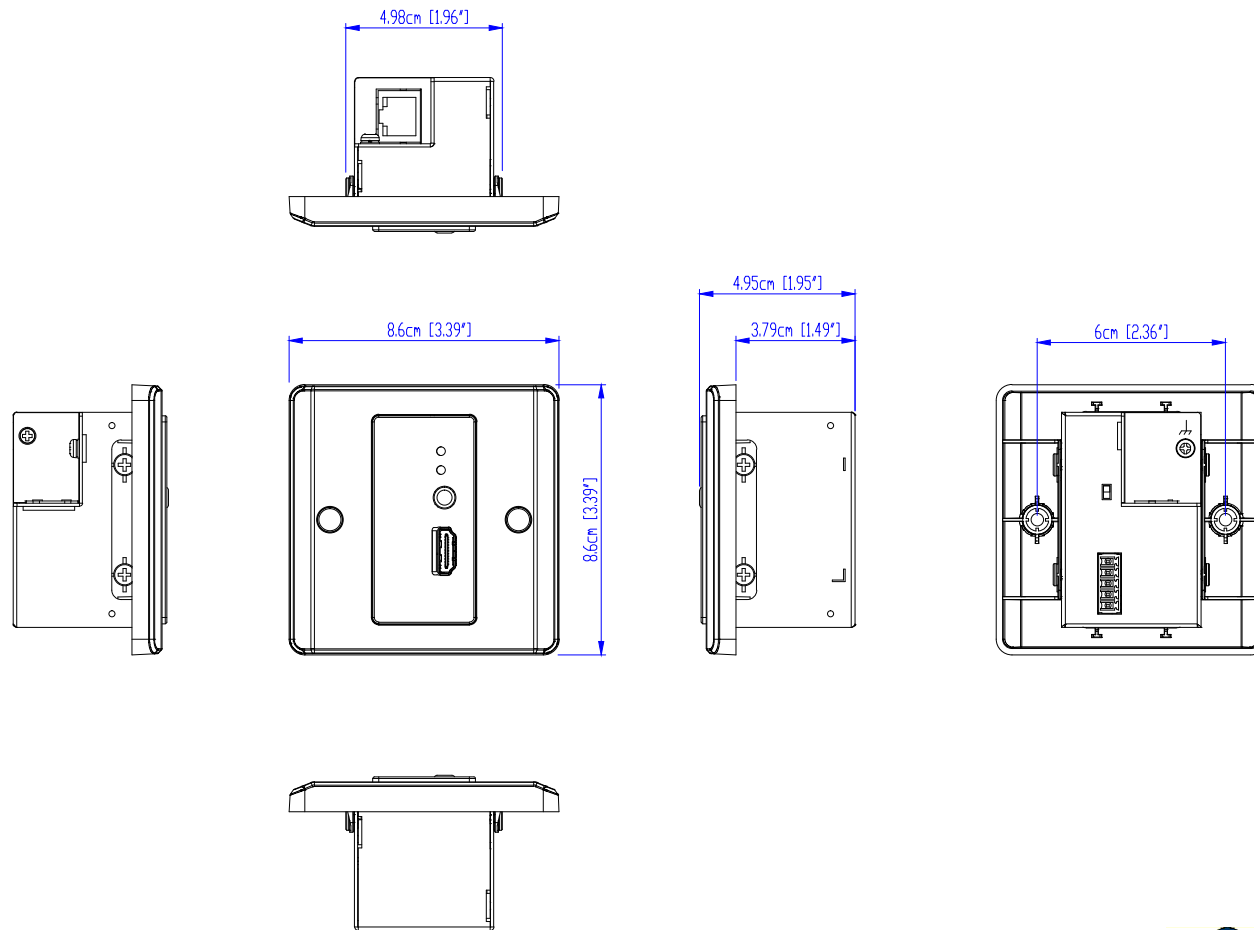
# CAD Drawings



**ATEN**  
**VE1801AEUT**

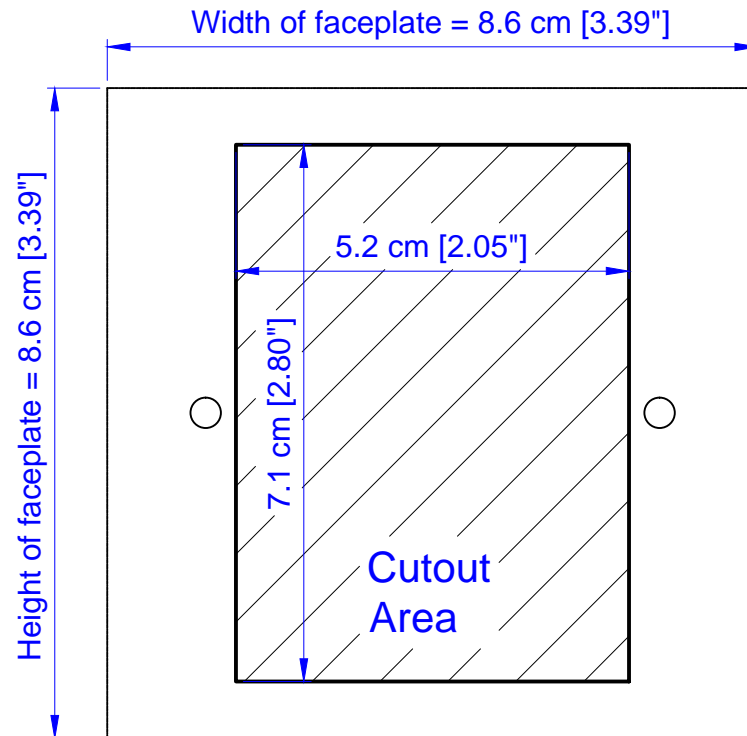


**ATEN**  
**VE1801AEUT**



**ATEN**  
**VE1801AEUT**

# Panel Mount Cutout



**Note:** ATEN recommends a 1-gang wall box with a depth of at least 4.5 cm (1.77 inches) to accommodate the connectors and cables.



**VE1801AEUT**  
**VE1901AEUT**