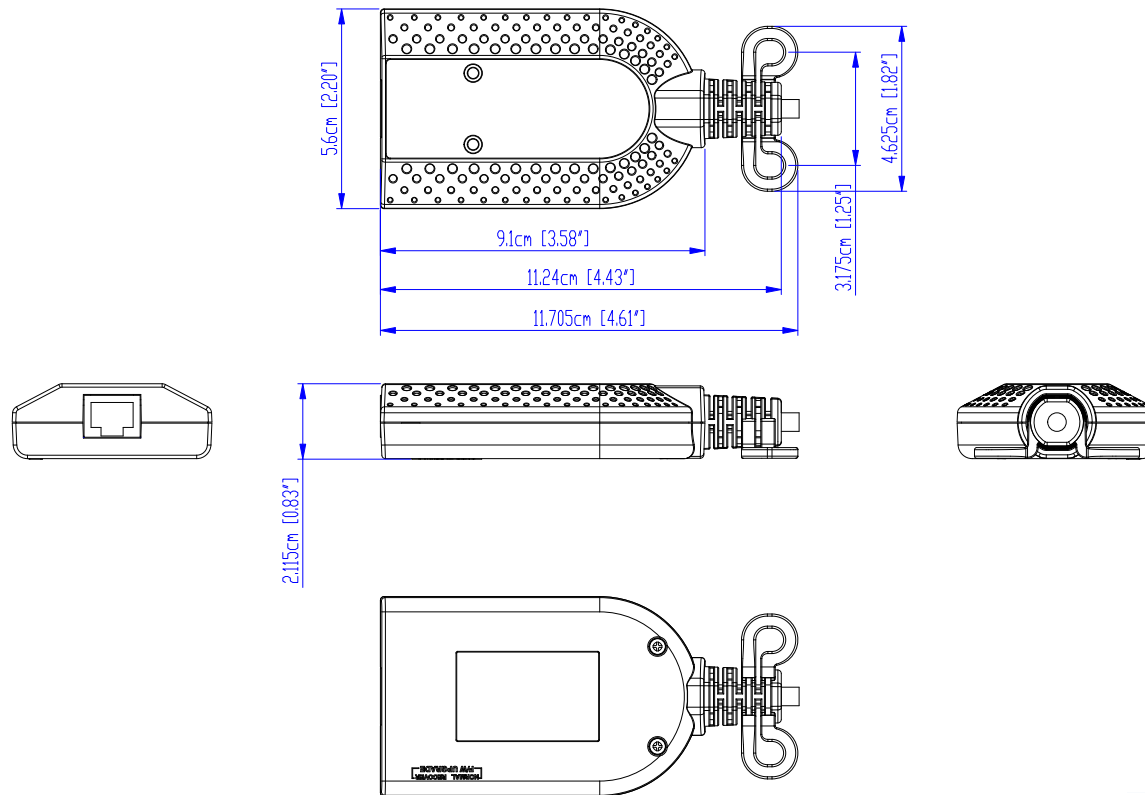


CAD Drawings



ATEN

KA7183