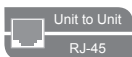


# VE550

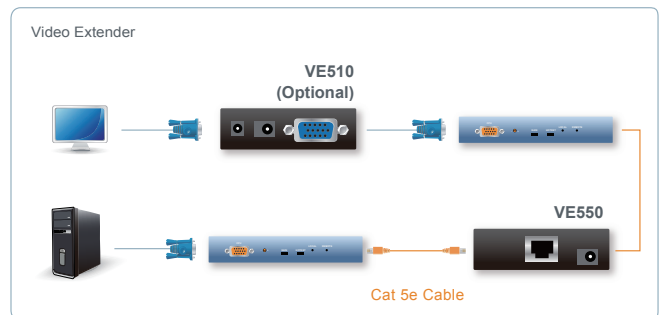
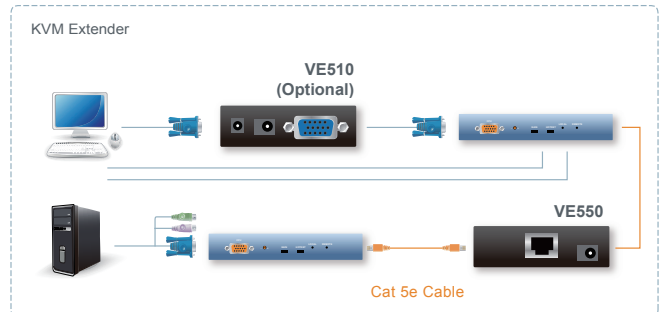
## VGA Over Cat 5 Repeater

- The VE550 VGA Over Cat 5 Repeater is a video signal extension device which is compatible with ATEN KVM Extenders, Video Extenders, and Cat 5 KVM Switches. The VE550 extends the video transmission range up to twice the original distance over Cat 5e cables. Moreover, using an additional repeater, VGA signals can be transmitted over even longer distances. Furthermore, in some long distance installations where video signals may degrade, the VE550 can be used in conjunction with the VE510 Video Synchronizer to compensate for video signal delay and video color bleeding.



### Features

- VGA signal extension over Cat 5e Cable
- Extends the video transmission range up to twice the original distance
- Expandable Range – using an additional repeater to increase distance transmission
- Adjustable Gain Control – manually adjusts signal strength to compensate for distance
- Built-in 8KV ESD protection and 2KV surge protection
- LED display for easy status monitoring
- Compact Size – Din Rail and Wall mountable
- Compatible with ATEN Extenders: CE250A, CE252, CE700A, VE150A



### Specification

Function		VE550
Connectors	Line In/Out	2 x RJ-45 Female
	Power	1 x DC Jack
Switches	Video Gain	1 x Knob
	Picture Compensation	1 x Knob
LEDs	Online	1 (Green)
	Power	1 (Orange)
Power Consumption		DC 5.3V; 2.52W
Environment	Operating Temp.	0–50°C
	Storage Temp.	-20–60°C
	Humidity	0–80% RH, Non-condensing
Physical Properties	Housing	Metal
	Weight	0.14 kg
	Dimensions (L x W x H)	7.90 x 7.16 x 2.44 cm

\* The specifications and pictures are subject to change without notice.

### ATEN International Co., Ltd.

3F., No.125, Sec. 2, Datong Rd., Sijhih District., New Taipei City 221, Taiwan  
 Phone: 886-2-8692-6789 Fax: 886-2-8692-6767  
 www.aten.com E-mail: marketing@aten.com

Printed 07/2014 V5.0



© Copyright 2014 ATEN® International Co., Ltd.  
 ATEN and the ATEN logo are trademarks of ATEN International Co., Ltd.  
 All rights reserved. All other trademarks are the property of their respective owners.