

RE SERIES SERVER RACK

PROFESSIONAL RACK



User's Manual
RE24U100/ RE42U100/ RE42U120/
RE48U100/ RE48U120

CONTENTS:

1. Introduction	01/02
2. Component identification	03/03
3. Packaging Concept	04/04
4. Enclosure Installation	05/11
Optional Part(Bottom plate) Installation Instruction	
Mounting cable management rails	
Mounting vertical rails	
Install roof panel	
Install side panels	
5. Enclosure Configuration	12/12
Leveling the enclosure	
Grounding the enclosure	
Baying the enclosures	
Equipment Installation	

CAUTION:

Before installing this product, please note the following safety information:

1. Always lower the leveling feet of the rack cabinet;
2. Always install equipment starting from the bottom of rack cabinet to top;
3. Always install the heaviest equipment in the bottom of the rack cabinet;
4. Always have two or more persons during assembling and moving the rack cabinet;

OVERVIEW

ATEN Racks are designed for mounting standard 19" rack - mount equipment – servers, routers, UPS systems, switches, audio/video devices – regardless of brand. All racks provide straightforward equipment organization, excellent security and simple cable management while enabling optimum airflow. The RE Series is perfect for advanced high - density server and networking applications, such as demanding data center environments.

RE SERIES FEATURE:

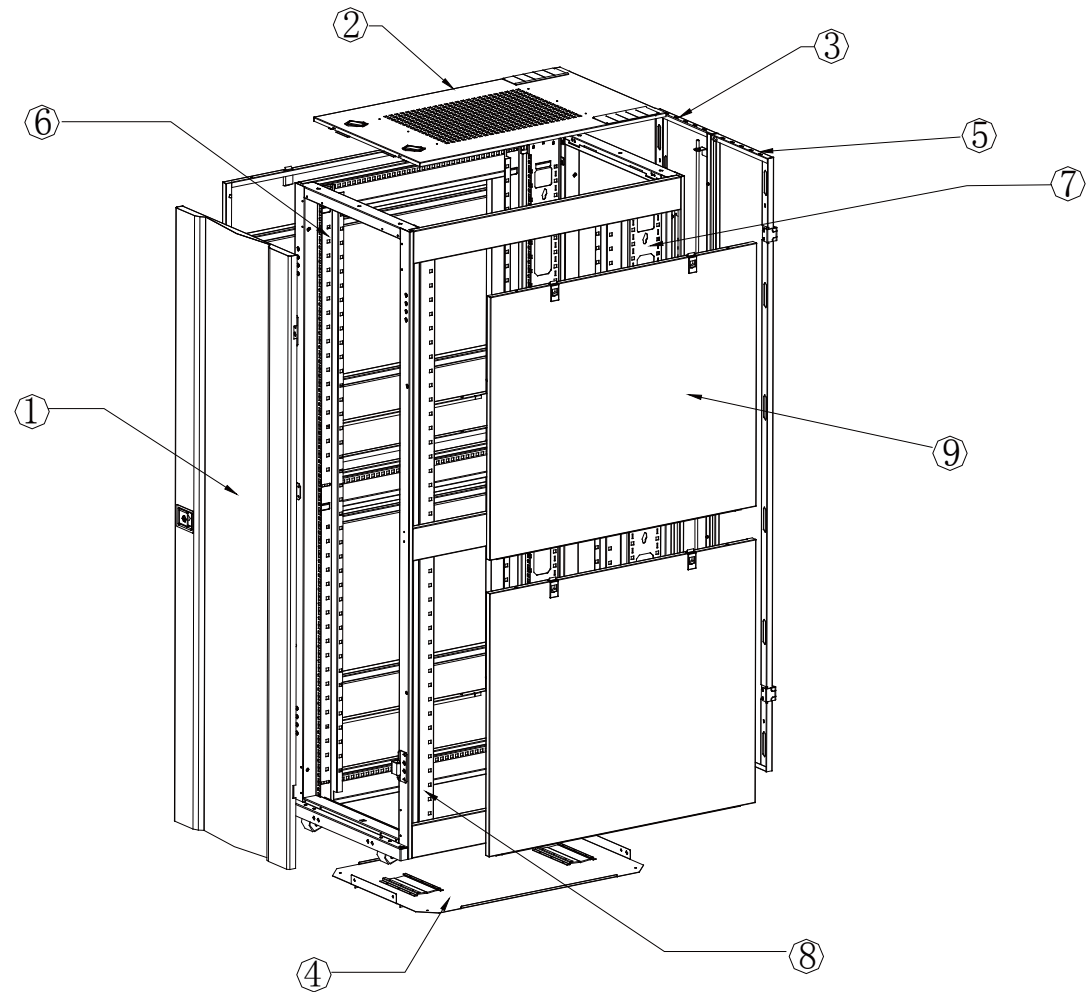
1. Perforated doors for massive front - to - rear airflow provide a ventilation rate up to 78%.
2. Static loading capacity up to 1500KG (without leveling feet and castors)
3. Horizontally divided side panels provide easy access and convenient post - installation maintenance.
4. Best design for cable management with large cable access slots and cable management rails

AVAILABLE RACK DIMENSIONS BELOW:

Model No.	Capacity(U)	Width(mm)	Depth(mm)
RE24U100	24U	600	1070
RE42U100	42U	600	1070
RE42U120	42U	600	1200
RE48U100	48U	600	1070
RE48U120	48U	600	1200

NOTE:Above products can be shipped in Build-up method or Knock-down/flat-packing method

Component identification



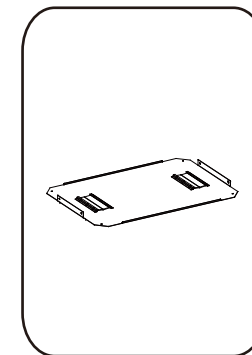
- | | |
|--------------------------------------|--------------------------|
| ① Front vented door with single lock | ⑥ Left vertical rail |
| ② Top cover | ⑦ Cable management rails |
| ③ Split rear door | ⑧ Right vertical rails |
| ④ Bottom plate | ⑨ Side panels |
| ⑤ Horizontal beam | |

Note: Bottom Plate is an additional mounting hardware.

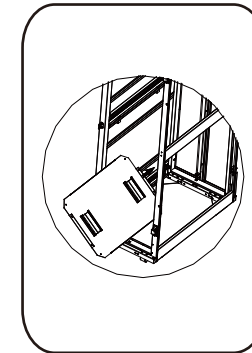
Important :

Optional Part(Bottom plate) Installation Instruction: It is better to install bottom plate during step 4 and step 5.

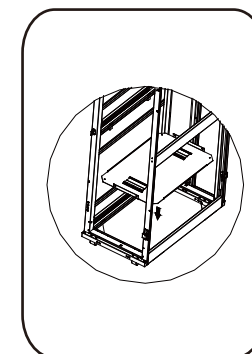
Secure the bottom plate to the corner bracket with M4*8mm self-tapping screws(4pcs),the bottom plate is tightened to the enclosure with M8*25mm hexagon headed bolt.The bottom plate is optional.



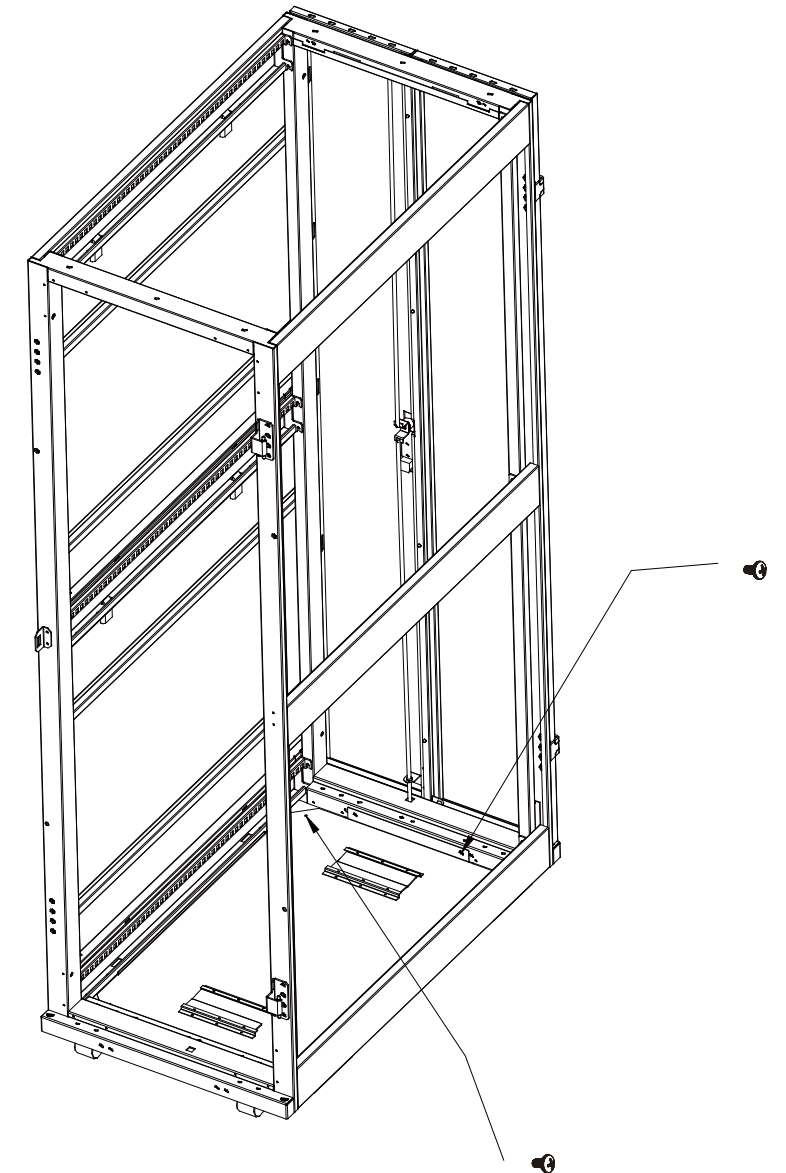
1pcs



1pcs

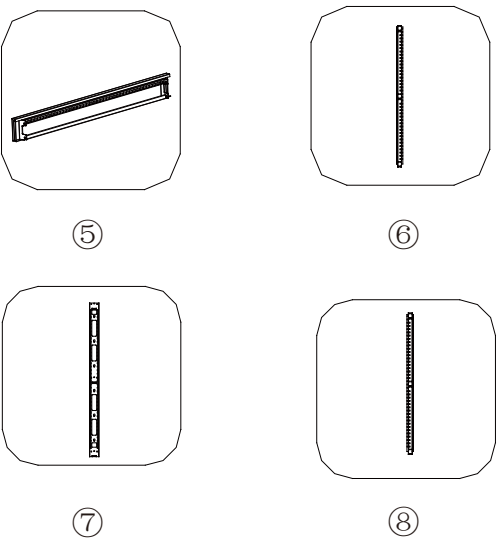
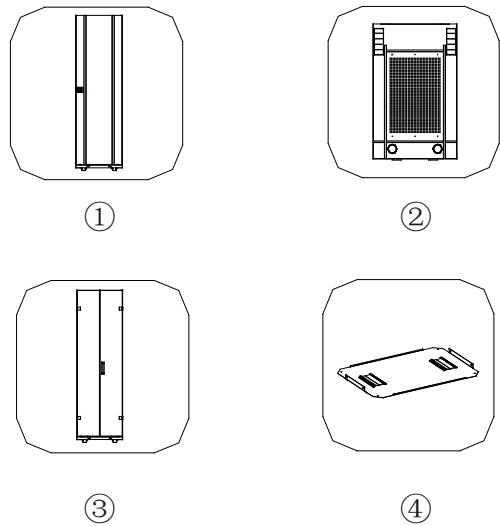


1pcs



Note: The bottom plate is one of mounting accessories. Your equipment may also include other mounting hardware. Read the mounting instructions before installing your equipment.

Packaging Concept (Knock Down)



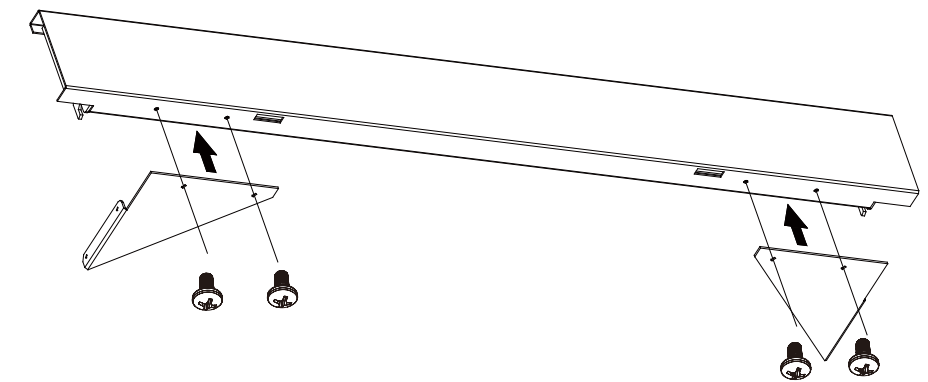
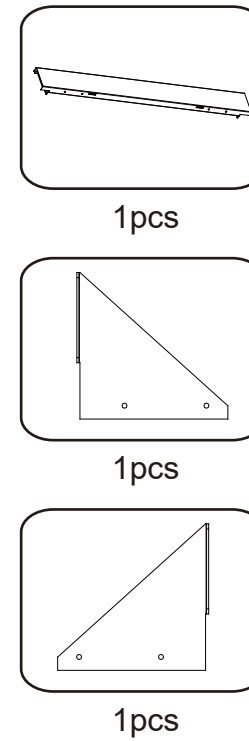
Safewell's flat-pack(knock down) concept allows the client to ship units to the limit space, which can save container loading space and transport cost.

CARTON A -19" STANDING SERVER RACK FRONT & REAR DOOR KITS

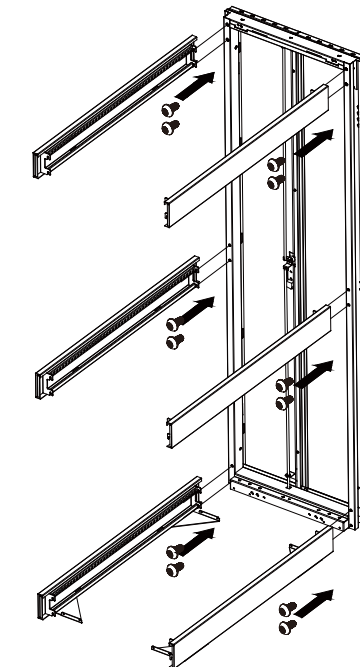
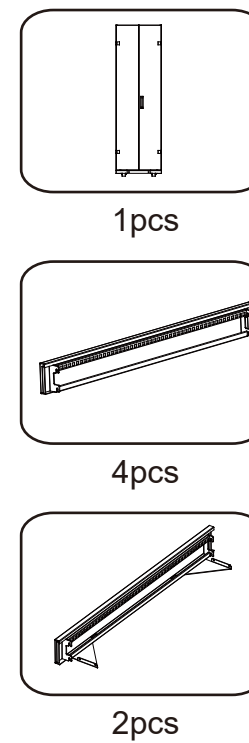
CARTON A	PARTS LIST	Q'TY
①	Front door/frame assy, 19" standing server rack	1
②	Top cover,19" standing server rack	1
③	Rear door/frame assy,19" standing server rack	1
④	Bottom plate,19" standing server rack	1

Part 1: Enclosure Installation

Step 1. Connect corner brackets to the lower beams with 2 screws.



Step 2. Connect each of 6 beams to the rear door with 2 screws.

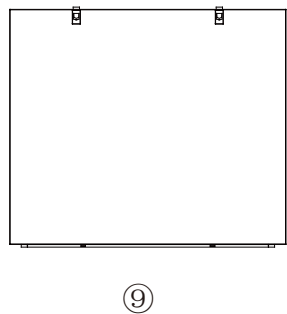


CARTON B-19" STANDING SERVER RACK RAILS & BEAM KITS

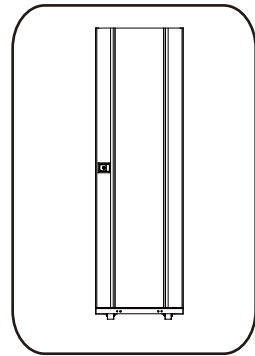
CARTON B	PARTS LIST	Q'TY
⑤	Horizontal support beam	6
⑥	Vertical rail, left	2
⑦	Cable management rail	2
⑧	Vertical rail,,right	2

CARTON C-19" STANDING SERVER RACK SIDE PANELS KITS

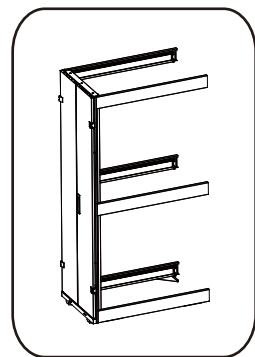
CARTON C	PARTS LIST	Q'TY
⑨	Side panel assy,19" standing server rack	4



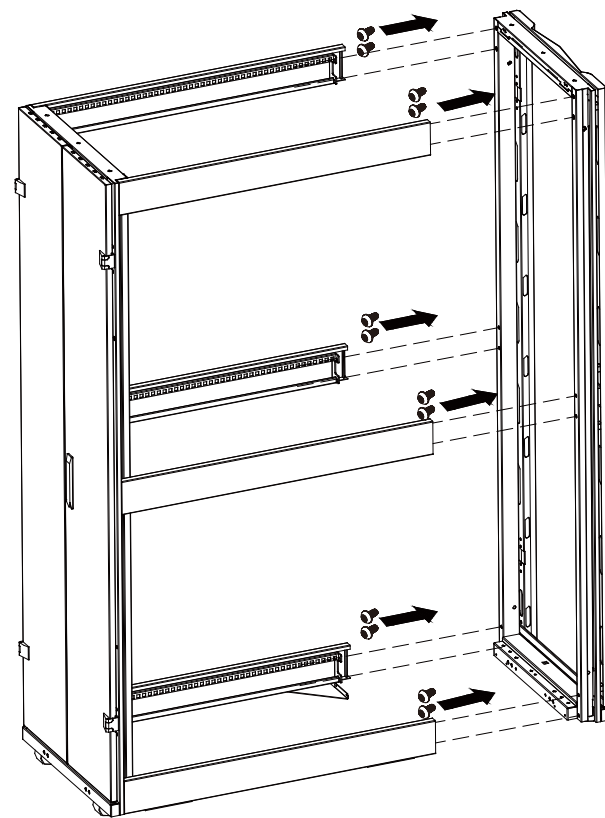
Step 3. Fasten each of 6 beams in step 2 to the front door with 2 screws



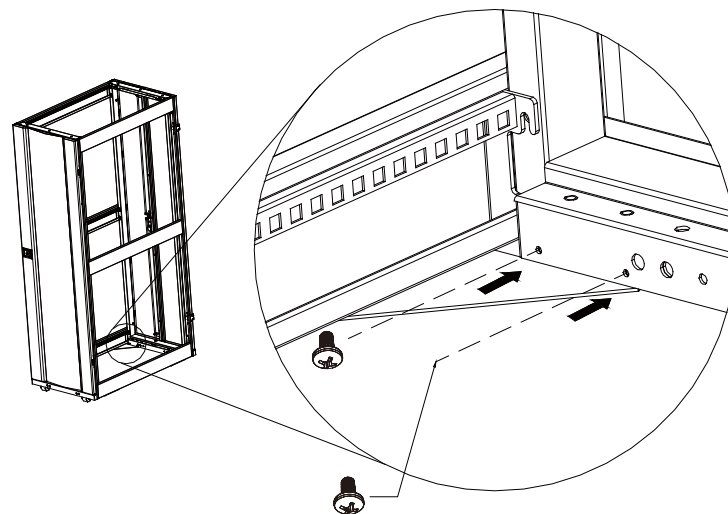
1pcs



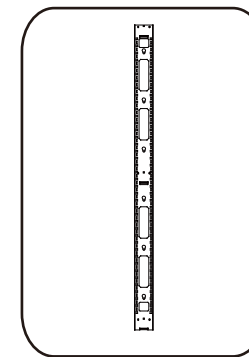
1pcs



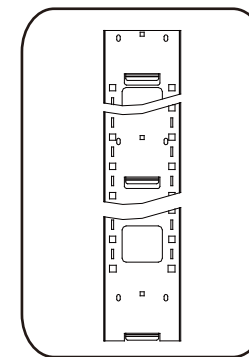
Step 4. Fasten corner brackets in step1 to the front with 2 screws



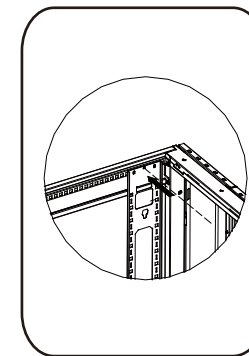
Step 5. Install the cage nuts to the required square openings in the mounting beams, one for each beam where you plan to install the cable management rails. Use M6 washers and mounting screws to secure the cable management rails, one for each side. Place M6 washers between the screws and the equipment mounting rails.



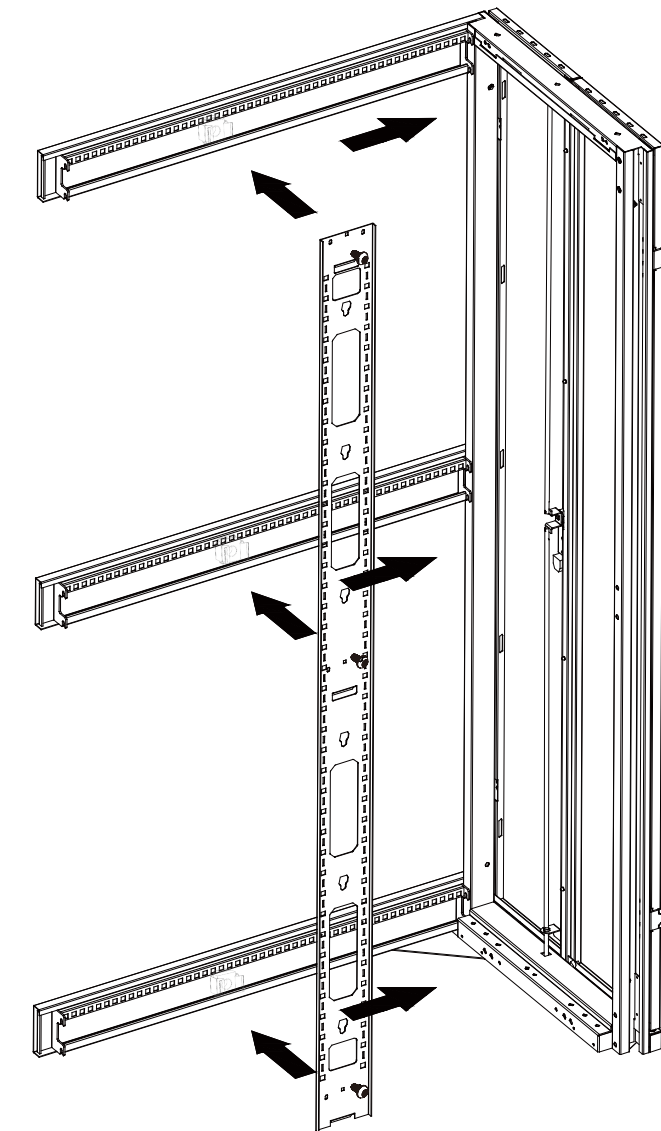
2pcs



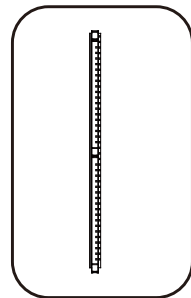
1pcs



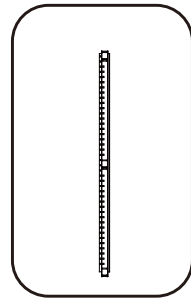
1pcs



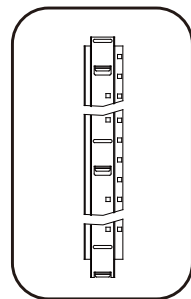
Step 6. Install the cage nuts to the desired square openings as step 5. Fasten the rails to the mounting beams with 3 screws and M6 washers, two rails for each side.



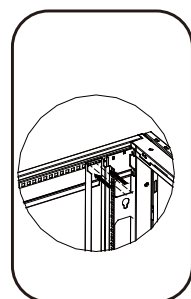
2pcs



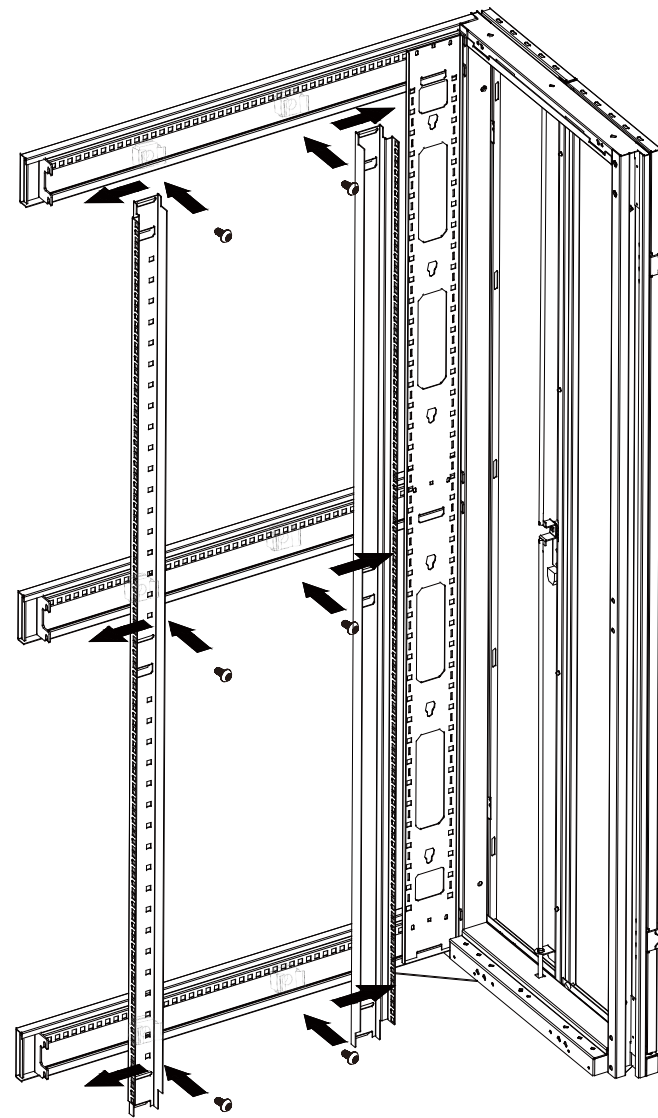
2pcs



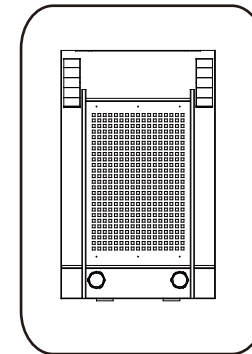
1pcs



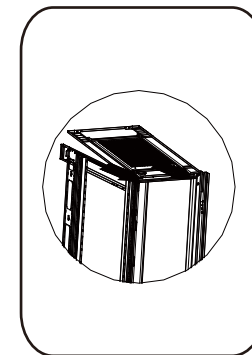
1pcs



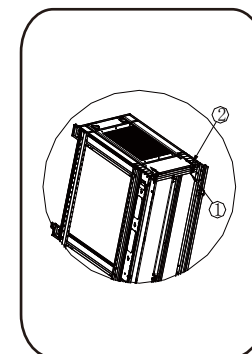
Step 7. While holding the top cover, arrange the 2 pins near the rear of the top cover into the holes in the enclosure frame. Pull the roof panel downward until it's close to the enclosure frame.



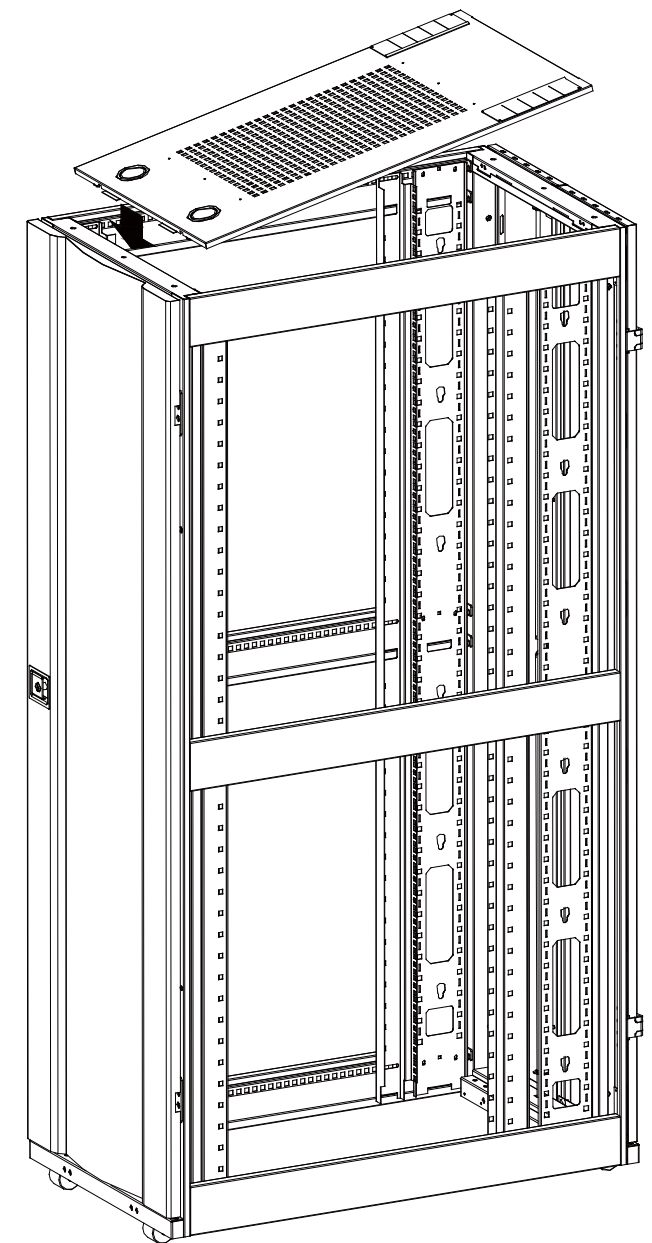
1pcs



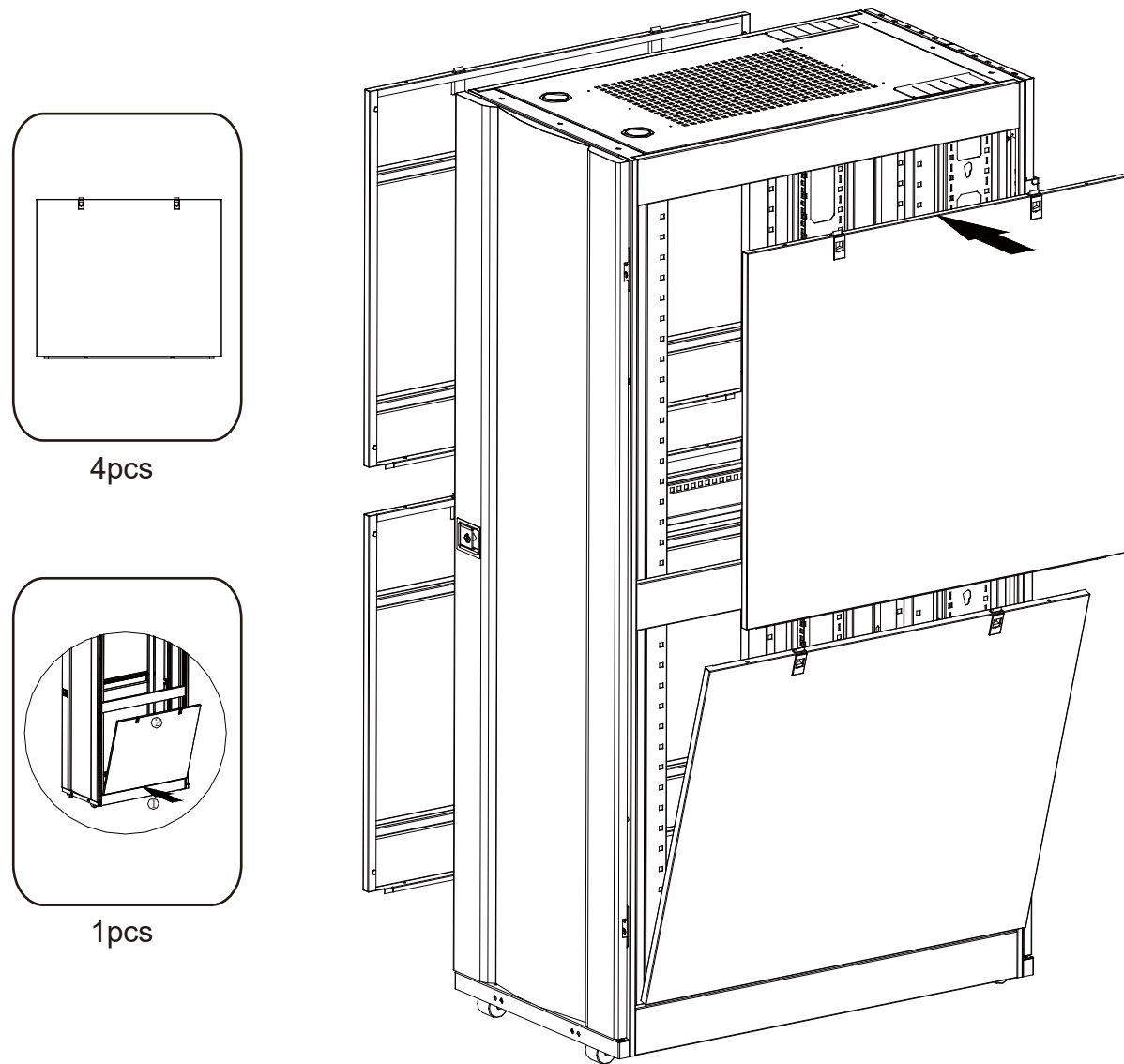
1pcs



1pcs



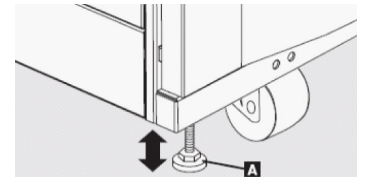
Step 8. Open side panel latch by sliding it downward, then install side panels into the frame.



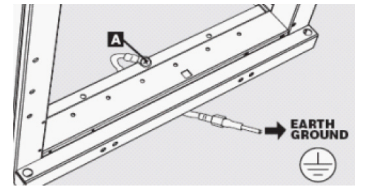
PART 2: ENCLOSURE CONFIGURATION

Step 1. Placement: Use the casters to move the enclosure for a short distance over a level, smooth and stable surface by pushing the unit, it should be moved near to the installation place.

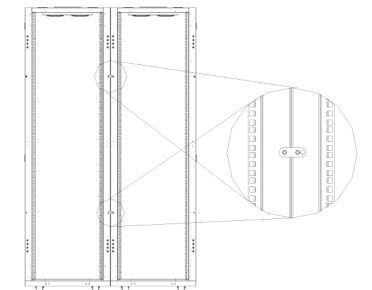
Step 2. Leveling: After locating the enclosure in right place, using the leveling feet on 4 corners to level the unit on the floor, please make sure the enclosure is leveled before attempting to install equipments.



Step 3. Grounding Connection: Make sure all the parts of the enclosure are properly bonded and grounded to the frame of the enclosure, then connect one of the designated grounding locations (two M6 threaded inserts on front/rear door frame) directly to your facility's earth ground connection with 8AWG wire. Please don't use the enclosure without an earth ground connection.



Step 4. Align the enclosures and join them using one M5 flat-head screw (pre-installed on the door frame) per bracket-two brackets for the front and two brackets for the rear.



Step 5. Equipment installation: Please don't install any equipment until you have stabilized the unit. Install the heavier equipment firstly and towards the bottom of enclosure. Install the equipment from the bottom of unit and then towards the top.

Note: The square holes at the middle of each U-shaped vertical rail are numbered and also include a small notch to aid identification



When you need to install equipment, use cage nut to secure your equipment to the U-shaped vertical rail.

