



Simply Better Connections

ATEN VanCryst™

**VE1801AEUT / VE1801AUST**

HDMI HDBaseT Transmitter  
with EU / US Wall Plate / PoH  
User Manual

## Compliance Statements

---

### FEDERAL COMMUNICATIONS COMMISSION INTERFERENCE STATEMENT

This equipment has been tested and found to comply with the limits for a Class A digital device, pursuant to Part 15 of the FCC Rules. These limits are designed to provide reasonable protection against harmful interference when the equipment is operated in a commercial environment. This equipment generates, uses, and can radiate radio frequency energy and, if not installed and used in accordance with the instruction manual, may cause harmful interference to radio communications. Operation of this equipment in a residential area is likely to cause harmful interference in which case the user will be required to correct the interference at his own expense.

The device complies with Part 15 of the FCC Rules. Operation is subject to the following two conditions: (1) this device may not cause harmful interference, and (2) this device must accept any interference received, including interference that may cause undesired operation.

### FCC Caution

Any changes or modifications not expressly approved by the party responsible for compliance could void the user's authority to operate this equipment.

### Warning

Operation of this equipment in a residential environment could cause radio interference.

### Achtung

Der Gebrauch dieses Geräts in Wohnumgebung kann Funkstörungen verursachen.



### KCC Statement

유선 제품용 / A 급 기기 (업무용 방송 통신 기기)  
이 기기는 업무용 (A 급) 전자파적합기기로서 판매자 또는 사용자는 이  
점을 주의하시기 바라며, 가정 외의 지역에서 사용하는 것을 목적으로  
합니다.

### **Industry Canada Statement**

This Class A digital apparatus complies with Canadian ICES-003.

## **CAN ICES-003 (A) / NMB-003 (A)**

### **HDMI Trademark Statement**

The terms HDMI, HDMI High-Definition Multimedia Interface, and the HDMI Logo are trademarks or registered trademarks of HDMI Licensing Administrator, Inc.



### **RoHS**

This product is RoHS compliant.

## About this Manual

---

This user manual is provided to help you get the most from the VE1801AEUT / VE1801AUST unit. It covers all aspects of installation, configuration, and operation. An overview of the information found in the manual is provided below.

**Chapter 1, Introduction** introduces you to the VE1801AEUT / VE1801AUST HDMI HDBaseT-Lite Transmitter with EU / US Wall Plate / PoH. Its purpose, features, installation considerations, and panel components are presented and described.

**Chapter 2, Hardware Setup** describes the steps that are necessary to quickly and safely set up your installation.

**Chapter 3, Operation** explains the limitations, and how to set up the input detection mode using the a pushbutton and RS-232 commands.

**An Appendix** provides a list of safety instructions and precautions, contact information for ATEN technical support, product specifications, and other technical information.


---

### Note:

- ◆ Read this manual thoroughly and follow the installation and operation procedures carefully to prevent any damage to the unit or any connected devices.
  - ◆ ATEN regularly updates its product documentation for new features and fixes. For an up-to-date VE1801AEUT / VE1801AUST documentation, visit <http://www.aten.com/global/en/>
-

## **Conventions**

This manual uses the following conventions:

- |   |  |
|---|--|
| Monospaced  | Indicates text that you should key in.   |
| [ ]   | Indicates keys you should press. For example, [Enter] means to press the <b>Enter</b> key. If keys need to be chorded, they appear together in the same bracket with a plus sign between them: [Ctrl+Alt]. |
| 1.  | Numbered lists represent procedures with sequential steps.   |
| ◆   | Bullet lists provide information, but do not involve sequential steps.   |
| >   | Indicates selecting the option (on a menu or dialog box, for example), that comes next. For example, Start > Run means to open the <i>Start</i> menu, and then select <i>Run</i> .                         |
|  | Indicates critical information.  |

## Package Contents

---

### VE1801AEUT

- 1 VE1801AEUT HDMI HDBaseT-Lite Transmitter with EU Wall Plate / PoH
- 1 5-pin terminal block
- 1 rubber pad set (4 pcs)
- 1 faceplate
- 2 pan head screws
- 4 PF screws
- 1 power adapter
- 1 user instructions\*

### VE1801AUST

- 1 VE1801AUST HDMI HDBaseT-Lite Transmitter with US Wall Plate / PoH
- 1 5-pin terminal block
- 1 faceplate
- 2 flat head screws
- 1 power adapter
- 1 user instructions\*

---

**Note:** Make sure that all of the components are present and in good order. If anything is missing or was damaged in shipping, contact your dealer.

---

## Product Information

---

For information about all ATEN products and how they can help you connect without limits, visit ATEN on the Web or contact an ATEN Authorized Reseller. Visit ATEN on the Web for a list of locations and telephone numbers:

International	<a href="http://www.aten.com">http://www.aten.com</a>
North America	<a href="http://www.aten-usa.com">http://www.aten-usa.com</a>

## User Information

---

### Online Registration

Be sure to register your product at our online support center:

International	<a href="http://eservice.aten.com">http://eservice.aten.com</a>
---------------	---

### Telephone Support

For telephone support, call this number:

International	886-2-8692-6959
China	86-400-810-0-810
Japan	81-3-5615-5811
Korea	82-2-467-6789
North America	1-888-999-ATEN ext 4988 1-949-428-1111

## **User Notice**

All information, documentation, and specifications contained in this manual are subject to change without prior notification by the manufacturer. The manufacturer makes no representations or warranties, either expressed or implied, with respect to the contents hereof and specifically disclaims any warranties as to merchantability or fitness for any particular purpose. Any of the manufacturer's software described in this manual is sold or licensed *as is*. Should the programs prove defective following their purchase, the buyer (and not the manufacturer, its distributor, or its dealer), assumes the entire cost of all necessary servicing, repair and any incidental or consequential damages resulting from any defect in the software.

The manufacturer of this system is not responsible for any radio and/or TV interference caused by unauthorized modifications to this device. It is the responsibility of the user to correct such interference.

The manufacturer is not responsible for any damage incurred in the operation of this system if the correct operational voltage setting was not selected prior to operation. **PLEASE VERIFY THAT THE VOLTAGE SETTING IS CORRECT BEFORE USE.**



# Table of Contents

---

Compliance Statements . . . . .	ii
About this Manual . . . . .	iv
Conventions . . . . .	v
Package Contents . . . . .	vi
Product Information . . . . .	vii
User Information . . . . .	vii
Online Registration . . . . .	vii
Telephone Support . . . . .	vii
User Notice . . . . .	viii
Table of Contents . . . . .	ix
<b>1. Introduction</b>	
Overview . . . . .	1
Features . . . . .	2
Planning the Installation . . . . .	3
Requirements . . . . .	3
Considerations . . . . .	3
Compatible ATEN Video Extenders . . . . .	3
Components . . . . .	4
Front View . . . . .	4
Rear View . . . . .	5
Top View . . . . .	7
<b>2. Hardware Setup</b>	
Mounting the VE1801AEUT / VE1801AUST Unit . . . . .	9
Site Preparation . . . . .	9
Drawing Screw Site . . . . .	9
VE1801AEUT Wall Mount . . . . .	10
VE1801AUST Wall Mount . . . . .	11
Connecting the VE1801AEUT / VE1801AUST Unit . . . . .	12
Terminal Block Connection . . . . .	13
Power Supply Information . . . . .	14
RS-232 Channel Transmission . . . . .	15
<b>3. Operation</b>	
RS-232 Serial Transmission . . . . .	17
Bypass . . . . .	17
Connecting the Unit with VP1421 . . . . .	18
<b>Appendix</b>	
Safety Instructions . . . . .	19
General . . . . .	19
Technical Support . . . . .	21

International .....	21
North America .....	21
Specifications .....	22
Limited Warranty .....	32
Template Printing .....	33

# Chapter 1

## Introduction

### Overview

---

The ATEN VE1801AEUT / VE1801AUST HDMI HDBaseT-Lite transmitter delivers 4K signals up to 40 m over a single Cat 5e/6/6a or ATEN 2L-2910 Cat 6 cable, ensuring users to stabilize HDMI signal transmission with support of 3D, Deep color and embedded HD lossless audio formats. During high-quality video transmission, the transmitter can resist signal interference with the equipped HDBaseT Anti-jamming technology and offer a reliable signal extension.

The VE1801AEUT / VE1801AUST can be easily mounted in a 1-gang junction box with EU / US wall plate, concealing bulky cable setups and presenting needed information in sight. In addition, with built-in PoH (Power over HDBaseT) function, the VE1801AEUT / VE1801AUST receives power supply from a connected PoH PSE supported receiver and streamlines complex power line deployment.

Expanding on previous models by the share function, the VE1801AEUT / VE1801AUST can remotely switch source when connecting to a compatible receiver, e.g., VP1421, bringing users for more convenient AV extension. This compact transmitter provides a neat and simple installation on walls or tables, enabling users to elegantly immerse their AV applications into any environment. Therefore, the VE1801AEUT / VE1801AUST is ideal for use in meeting rooms, digital educational environments or any application requiring stable high-quality transmission and effortless installation.

## Features

---

- ◆ Extends HDMI signals with superior video quality over a single Cat 5e/6/6a cable or ATEN 2L-2910 Cat 6 cable
  - ◆ 4K up to 40 m
  - ◆ 1080p up to 70 m
- ◆ Built-in PoH (Power over HDBaseT) function – the VE1801AEUT / VE1801AUST receives power supply from the HDBaseT output port
- ◆ HDMI (3D, Deep color, 4K); HDCP 2.2 compliant
- ◆ Designed to mount in a 1-gang junction box with EU / US wall plate
- ◆ Supports RS-232 channel transmission
- ◆ Consumer Electronics Control (CEC) allows interconnected HDMI devices to communicate and respond to a single remote control
- ◆ HDBaseT Anti-jamming – resists signal interference during high-quality video transmission using HDBaseT technology
- ◆ Share function – the VE1801AEUT / VE1801AUST can remotely switch source when connecting to a compatible receiver, e.g., VP1421
- ◆ LED indication of device status
- ◆ Supports wide screen format
- ◆ Built-in 8KV / 15KV ESD protection
- ◆ Plug-and-play

## Planning the Installation

### Requirements

Prepare the following before installing the VE1801AEUT / VE1801AUST unit:

- ◆ 1 HDMI source device
- ◆ 1 Cat 5e/6/6a or ATEN 2L-2910 Cat 6 cable

### Considerations

- ◆ To ensure video quality, ATEN recommends using a Cat 5e/6/6a cable.

---

**Note:** ATEN recommends using an ATEN 2L-2910 Cat 6 cable for best results.

---

- ◆ The maximum transmission distance varies at different parts of the transmission:

Connection	Interface	Resolution	Distance
Computer to the VE1801AEUT / VE1801AUST	HDMI	4K	3 m
The VE1801AEUT / VE1801AUST to a compatible ATEN HDBaseT Receiver	Cat 5e/6	4K	35 m
	Cat 6a (ATEN 2L-2910)	4K	40 m
A compatible ATEN Video Extender to the display	HDMI (example)	4K	3 m

---

**Note:** The maximum transmission distance for 1080p resolution using an ATEN 2L-2910 cable is 70 m.

---

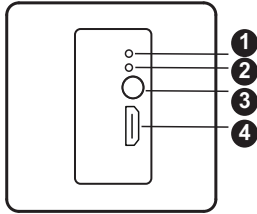
### Compatible ATEN Video Extenders

The VE1801AEUT / VE1801AUST is compatible with a wide range of ATEN HDBaseT video extenders. Visit our official web site for more details.

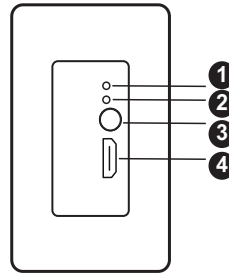
## Components

### Front View

VE1801AEUT



VE1801AUST

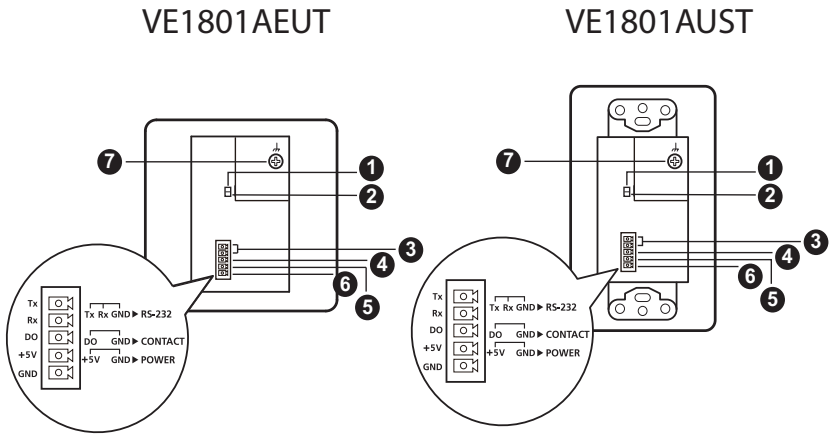


No.	LED	Indication	Description
1	power LED	Lights green	The unit is receiving power.
2	link LED	Lights orange	The transmission to the receiver is stable.
		Blinks orange	The transmission to the receiver is unstable.
3	share pushbutton	N/A	Press this pushbutton to share source with the VP1421. For details, see <i>Connecting the Unit with VP1421</i> , page 18.
4	HDMI input port	N/A	Connects to the HDMI out port on the source device.

#### Note:

- ◆ The power and link LED blink at the same time to indicate that the firmware upgrade is in progress.

## Rear View



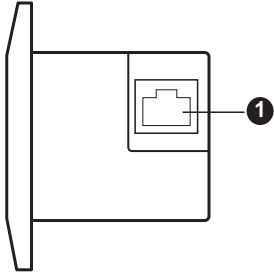
No.	Component	Description
1	RS-232 for bypass channel switch	Put the switch to <b>ON</b> to bypass RS-232 serial data for remote control on the device connected to the VE1801AEUT / VE1801AUST using serial commands.
2	RS-232 for firmware upgrade switch	This switch is reserved for ATEN Technical Support. If you would like to do a firmware upgrade yourself, please contact your dealer.

No.	Component	Description
3	RS-232 terminal (Tx & Rx)	Connects to the 5-pin terminal block for the following purposes.
4	DO contact closure terminal (DO for share pushbutton)	<ul style="list-style-type: none"><li>◆ For remotely control on the connected device via RS-232 serial commands, connect the RS-232 terminal (Tx &amp; Rx) to an RS-232 main controller, such as a PC or a control system. See <i>RS-232 Channel Transmission</i>, page 15.</li><li>◆ For source sharing with the VP1421, connect the 5-pin terminal block to the DO contact closure terminal and the VP1421. See <i>Connecting the Unit with VP1421</i>, page 18.</li><li>◆ For power redundancy, connect the 5-pin terminal block to the +5V DC power-in terminal. See <i>Power Supply Information</i>, page 14.</li><li>◆ For RS-232, DO contact closure, and +5V DC power-in terminals to work, connect the ground terminal (GND) to a ground wire. See <i>Terminal Block Connection</i>, page 13.</li></ul>
5	+5V DC power-in terminal (+5V)	
6	ground terminal (GND)	
7	grounding terminal	

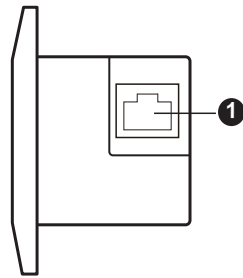


**Top View**

VE1801AEUT



VE1801AUST



No.	Component	Description
1	HDBaseT out port with PoH PD power receiving	Connects to the HDBaseT input port on a compatible ATEN HDBaseT receiver via an RJ-45 cable.

This Page Intentionally Left Blank

## Chapter 2

# Hardware Setup



1. Please review the safety information regarding the placement of this device in *Safety Instructions*, page 19.
2. Do not power on the VE1801AEUT / VE1801AUST until all the necessary hardware is connected.

### **Mounting the VE1801AEUT / VE1801AUST Unit**

VE1801AEUT / VE1801AUST is designed to be installed in a wall, ground, or a table.

#### **Site Preparation**

Choose a location where cables are free of interference and install the cables into the wall before installing the unit.

The unit can be installed into a wall box or simply into a recession in the wall. Please reserve enough space in the site for the body of the unit.

For more information on the recommended reserved space for each unit, see page 24.

#### **Drawing Screw Site**

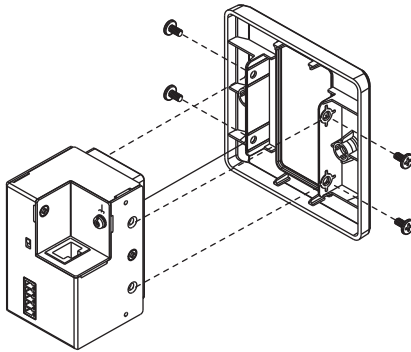
Screw sites are required to secure the unit into the wall. There are regional template screw sites and the unit can use the sites easily.

If you wish to create your own installation sites, the dimensions below will help you decide how to draw them.

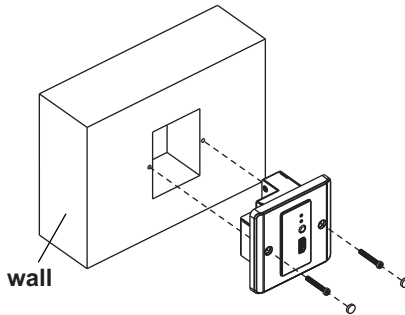
Template is available at the end of the document for both models, please refer to *Template Printing* on page 33 for more details.

## **VE1801AEUT Wall Mount**

1. Secure the faceplate to the unit using the 4 PF screws provided.



2. Secure the unit to the installation site using the 2 pan head screws provided, and attach the rubber pads onto the pan head screws. This installation site can be a wall, ground, or table.



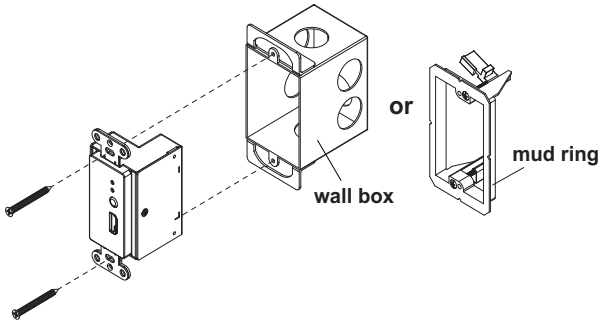
## **VE1801AUST Wall Mount**

1. Secure the unit to a wall box or mud ring using the flat head screws provided.

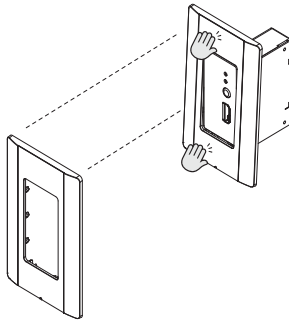
---

**Note:** The wall box and mud ring are not provided in the package.

---

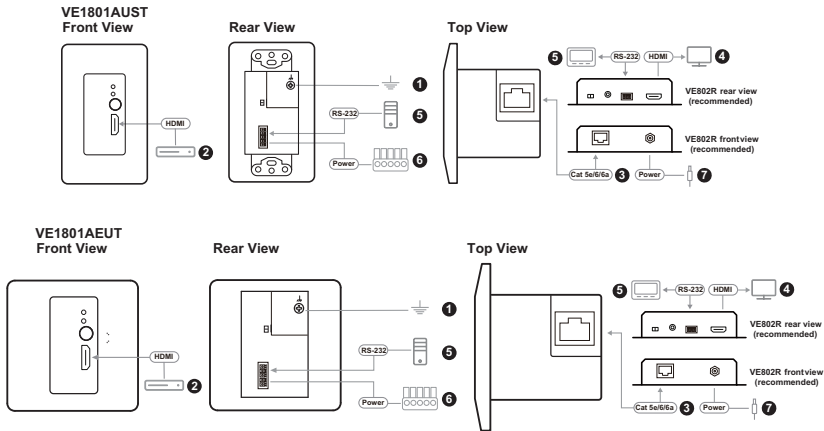


2. Cover the unit by attaching the faceplate to it. Push-in the upper part and the lower part of the faceplate until it clicks in place. No screws are needed. This installation site can be a wall, ground, or table.



## Connecting the VE1801AEUT / VE1801AUST Unit

Follow the steps below to connect the VE1801AEUT / VE1801AUST to a source, a compatible ATEN HDBaseT receiver, and other controls as required.



1. Ground the unit by connecting one end of a grounding wire to a suitable grounded object.

---

**Note:** Do not omit this step. Proper grounding helps prevent damage to the unit from power surges or static electricity.

---

2. Connect the HDMI input port of the unit to the HDMI output port on your video source device using an HDMI cable.
3. Connect the unit to power by doing one, or both of the following for power redundancy:
  - ◆ Connect one end of a Cat 5e/6/6a cable to the HDBaseT out port with PoH PD power receiving on the transmitter, and then connect the other end to the HDBaseT input port on a PoH PSE supported receiver (e.g., VP1421).

---

**Note:** If the connected receiver is not PoH PSE supported (e.g., VE802R), follow step 6.

---

- ◆ Connect the 5-pin terminal block to the +5V DC power-in and ground terminals on the unit (refer to step 6).

4. Connect the HDMI output port on the VE802R to a display device using an HDMI cable.
5. (Optional) Connect the RS-232 interface of your computer or control system to the RS-232 and ground terminals on the unit using the 5-pin terminal block provided. Then connect a touch screen or a bar code scanner to the RS-232 serial port on the VE802R.
6. (Optional) Please follow the instructions described in Power Supply Information on page 14. Then plug the 5-pin terminal block into the +5V DC power-in and ground terminals on the unit to power on the device.
7. Plug the power adapter cable into the power jack on the VE802R.
8. Power on all connected devices.

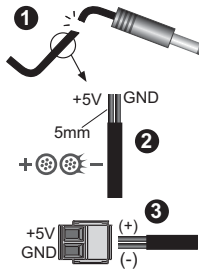
### **Terminal Block Connection**

Follow the instructions below for terminal block connection:

1. Detach the terminal block from the port (e.g. RS-232 serial port).
2. Loosen the screws on top of the terminal block (turning a screwdriver counter-clockwise) to open the gates.
3. Insert the wires into the gates according to the label on the unit.
4. Tighten the screws for each gate to secure the wires to the terminal block.
5. Attach the terminal block back to its port.

## **Power Supply Information**

(Optional) If you wish to use power adapter for power, follow the steps below.



1. Cut the connector end of the power adapter.
2. Strip 5 mm (0.5cm) off the insulation cover of the power adapter cable to expose two wires: a +5V wire and a GND (grounding) wire.
3. Insert the exposed +5V wire and GND (grounding) wire tightly into the 5-pin terminal block provided, which can be connected to the unit for power supply. Refer to *Terminal Block Connection* on page 13 for more details.

---

**Note:** One method to determine an exposed wire's polarity (i.e., +5V or GND) is by using a voltmeter.

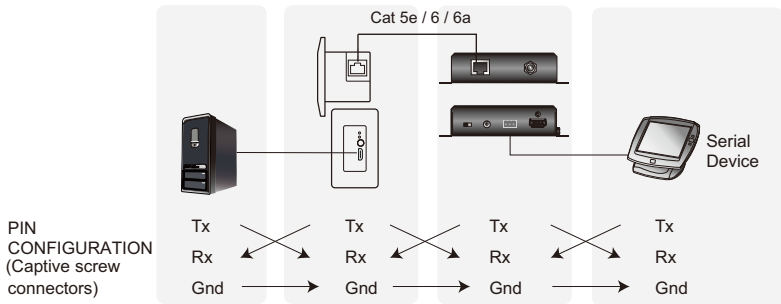
---



## RS-232 Channel Transmission

You can manage the connected devices via RS-232 serial devices, such as computers or bar code scanners. The RS-232 signal transmission flow can be illustrated as follows:

**Note:** The unit used in the diagram below is VE1801AUST, the procedure for connecting VE1801AEUT is identical.



The general concept here is that a RS-232 signal can be transmitted (Tx) to the receiving (Rx) end of a unit. The received signal can then be transmitted (Tx) to the receiving (Rx) end of another unit. The RS-232 signals can be transmitted back the other way.

This Page Intentionally Left Blank

# Chapter 3 Operation

## RS-232 Serial Transmission

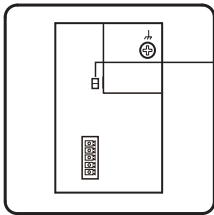
---

The RS-232 Serial Transmission allows you to bypass serial data to remotely control the device connected to the VE1801AEUT / VE1801AUST using serial commands.

### Bypass

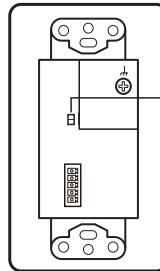
RS-232 serial data is bypassed from the controller PC or Pad to other connected devices. Remember to set the RS-232 for bypass channel switch to **ON**.

VE1801AEUT



RS-232 for  
bypass channel  
switch

VE1801AUST

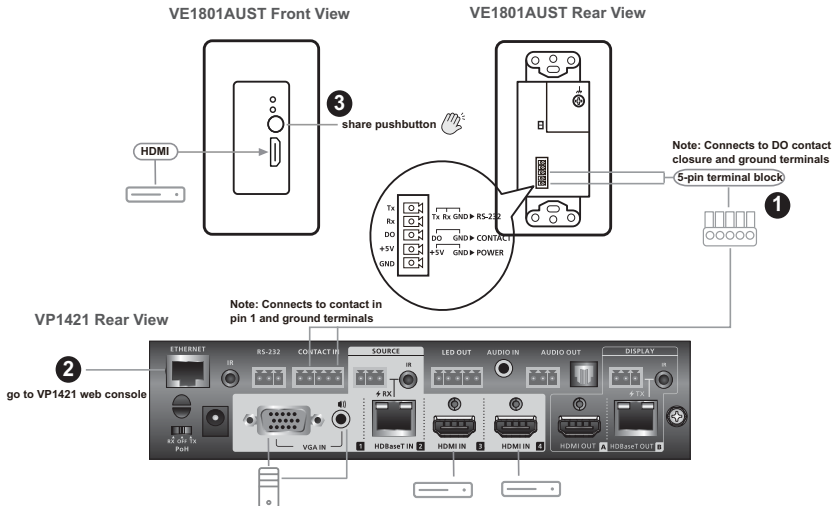


RS-232 for  
bypass channel  
switch

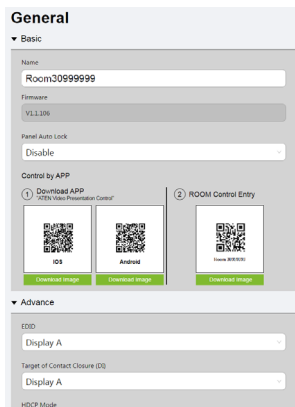
## Connecting the Unit with VP1421

To share source device to the VP1421, follow the steps below. For more information on how to connect the VP1421, see *VP1421-VP1421 user manual*.

**Note:** The unit used in the diagram below is VE1801AUST, the procedure for connecting VE1801AEUT is identical.



1. Connect the DO contact closure and ground terminals to the contact in and ground terminals on the VP1421.
2. Go to VP1421's web console. From the General page, use the drop-down menu to select Display A or Display B for the Target of Contact Closure (DI).



3. Press the share button to remotely play the HDBaseT input source on VP1421's Display A or Display B depending on your Target of Contact Closure settings from step 2.

## Safety Instructions

---

### General

- ◆ This product is for indoor use only.
- ◆ Read all of these instructions. Save them for future reference.
- ◆ Follow all warnings and instructions marked on the device.
- ◆ Do not place the device on any unstable surface (cart, stand, table, etc.). If the device falls, serious damage will result.
- ◆ Do not use the device near water.
- ◆ Do not place the device near, or over, radiators or heat registers.
- ◆ The device cabinet is provided with slots and openings to allow for adequate ventilation. To ensure reliable operation, and to protect against overheating, these openings must never be blocked or covered.
- ◆ The device should never be placed on a soft surface (bed, sofa, rug, etc.) as this will block its ventilation openings. Likewise, the device should not be placed in a built in enclosure unless adequate ventilation has been provided.
- ◆ Never spill liquid of any kind on the device.
- ◆ Unplug the device from the wall outlet before cleaning. Do not use liquid or aerosol cleaners. Use a damp cloth for cleaning.
- ◆ The device should be operated from the type of power source indicated on the marking label. If you are not sure of the type of power available, consult your dealer or local power company.
- ◆ To prevent damage to your installation it is important that all devices are properly grounded.
- ◆ Do not allow anything to rest on the power cord or cables. Route the power cord and cables so that they cannot be stepped on or tripped over.
- ◆ Position system cables and power cables carefully; Be sure that nothing rests on any cables.
- ◆ Never push objects of any kind into or through cabinet slots. They may touch dangerous voltage points or short out parts resulting in a risk of fire or electrical shock.
- ◆ Do not attempt to service the device yourself. Refer all servicing to qualified service personnel.

- ◆ If the following conditions occur, unplug the device from the wall outlet and bring it to qualified service personnel for repair.
  - ◆ The power cord or plug has become damaged or frayed.
  - ◆ Liquid has been spilled into the device.
  - ◆ The device has been exposed to rain or water.
  - ◆ The device has been dropped, or the cabinet has been damaged.
  - ◆ The device exhibits a distinct change in performance, indicating a need for service.
  - ◆ The device does not operate normally when the operating instructions are followed.
- ◆ Only adjust those controls that are covered in the operating instructions. Improper adjustment of other controls may result in damage that will require extensive work by a qualified technician to repair.

## Technical Support

---

### International

- ◆ For online technical support – including troubleshooting, documentation, and software updates: <http://support.aten.com>
- ◆ For telephone support, see *Telephone Support*, page vii:

### North America

Email Support		<a href="mailto:support@aten-usa.com">support@aten-usa.com</a>
Online Technical Support	Troubleshooting Documentation Software Updates	<a href="http://www.aten-usa.com/support">http://www.aten-usa.com/support</a>
Telephone Support		1-888-999-ATEN ext 4988 1-949-428-1111

When you contact us, please have the following information ready beforehand:

- ◆ Product model number, serial number, and date of purchase
- ◆ Your computer configuration, including operating system, revision level, expansion cards, and software
- ◆ Any error messages displayed at the time the error occurred
- ◆ The sequence of operations that led up to the error
- ◆ Any other information you feel may be of help

## Specifications

Function	VE1801AEUT	VE1801AUST
<b>Video Input</b>		
Interfaces	1 x HDMI Type A Female (Black)	
Impedance	HDMI: 100 $\Omega$	
Max. Distance	3 m	
<b>Video</b>		
Max. Data Rate	10.2 Gbps (3.4 Gbps per lane)	
Max. Pixel Clock	340 MHz	
Compliance	HDMI (3D, Deep Color, 4K)	
	HDCP 2.2 Compatible	
	Consumer Electronics Control (CEC)	
Max. Resolutions / Distances	HDMI: <ul style="list-style-type: none"> <li>◆ Up to 4k @35m (Cat 5e/6) / 40m (Cat 6a/ATEN 2L-2910 Cat6)</li> <li>◆ Up to 1080p @60m (Cat 5e/6) / 70m (Cat 6a/ATEN 2L-2910 Cat6)</li> </ul> 4k supported: <ul style="list-style-type: none"> <li>◆ 4096 x 2160 / 3840 x 2160 @60Hz (4:2:0)</li> <li>◆ 4096 x 2160 / 3840 x 2160 @30Hz (4:4:4)</li> </ul>	
<b>Audio</b>		
Input	1 x HDMI Type A Female (Black)	
<b>Control</b>		
RS-232	Connectors	1 x Terminal Block, 5 Pole, TX / RX / GND (Green)
	Baud Rate	19200
	Data Bits	8
	Stop Bits	1, no parity and flow control
Contact Out	1 x Terminal Block, 5 Pole, DO / GND (Green)	
<b>Switches</b>		
Bypass Channel	1 Slide Switch - ON/OFF	
Firmware Upgrade	1 Slide Switch - ON/OFF	
<b>Power</b>		
Unit to Unit	1 x RJ-45 Female	



Function	VE1801AEUT	VE1801AUST
Connectors	1 x Terminal Block, 5 Pole, +5V / GND (Green) 1 x RJ-45 Female (PoH)	
Consumption	DC 5V;3.26W;15BTU PoH;4W;19BTU	
<b>Environmental</b>		
Operating Temperature	0 - 40°C	
Storage Temperature	-20 - 60°C	
Humidity	0 x 80% RH, Non-Condensing	
<b>Physical Properties</b>		
Housing	Metal	
Weight	0.20kg (0.44 lb)	0.21kg (0.46 lb)
Dimensions (L x W x H)	6.86 x 4.44 x 5.00 cm (2.7 x 1.75 x 1.97 in)	10.41 x 4.44 x 5.00 cm (4.1 x 1.75 x 1.97 in)
Faceplate Dimensions (L x W x H)	8.60 x 8.60 x 1.60 cm (3.39 x 3.39 x 0.63 in)	11.39 x 6.99 x 0.64 cm (4.48 x 2.75 x 0.25 in)

This Page Intentionally Left Blank

This page is for CAD Drawings

This page is for CAD Drawings

This page is for CAD Drawings

This page is for CAD Drawings

This page is for CAD Drawings

This page is for CAD Drawings

This page is for CAD Drawings



This page is for CAD Drawings

## Limited Warranty

---

ATEN warrants its hardware in the country of purchase against flaws in materials and workmanship for a Warranty Period of two [2] years (warranty period may vary in certain regions/countries) commencing on the date of original purchase. This warranty period includes the [LCD panel of ATEN LCD KVM switches](#). Select products are warranted for an additional year (see [A+ Warranty](#) for further details). Cables and accessories are not covered by the Standard Warranty.

### What is covered by the Limited Hardware Warranty

ATEN will provide a repair service, without charge, during the Warranty Period. If a product is defective, ATEN will, at its discretion, have the option to (1) repair said product with new or repaired components, or (2) replace the entire product with an identical product or with a similar product which fulfills the same function as the defective product. Replaced products assume the warranty of the original product for the remaining period or a period of 90 days, whichever is longer. When the products or components are replaced, the replacing articles shall become customer property and the replaced articles shall become the property of ATEN.

To learn more about our warranty policies, please visit our website:  
<http://www.aten.com/global/en/legal/policies/warranty-policy/>

© Copyright 2021 ATEN® International Co., Ltd.  
Released: 2021-04-29

ATEN and the ATEN logo are registered trademarks of ATEN International Co., Ltd. All rights reserved. All other brand names and trademarks are the registered property of their respective owners.

## **Template Printing**

---

Please use 1:1 ratios when printing.

We also recommend using A4 sized paper or larger.

After printing, please measure the print so that the labeled measurement is correct.