



## Features

- On the fly processing: EtherCAT
- Powerful MCU handles efficient network traffic
- 2 x RJ-45 bus interface
- Distance between stations up to 100 m (100 BASE-TX)
- Support daisy chain connection
- EtherCAT conformance test tool verified
- Removable terminal block connector
- LED indicators
- 16 Single-ended/8 Differential Analog Inputs
- RoHS compliant
- ESD Protection 4 KV Contact for each channel



## Introduction

The ECAT-2000 is equipped with the EtherCAT protocol and installed by daisy chain connection which permits the flexibility in devices installation and reduces infrastructure and operation costs. All the modules can be deployed in the network topologies such as star, line or ring. The isolation input and output design protects the ECAT-2011H against the harmful interference and environment.

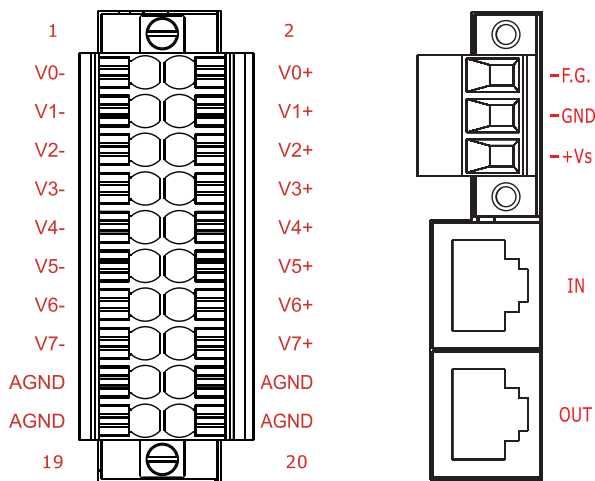
The ECAT-2011H is built in isolated 8 Differential or 16-ch Single-ended Analog Inputs by software selectable. The ECAT-2011H has passed and verified by the conformance test tool, therefore eligible EtherCAT Master or configurator can manipulate it simply and implement your various applications easily.

\* EtherCAT® is registered trademark and patented technology, licensed by Beckhoff Automation GmbH, Germany.

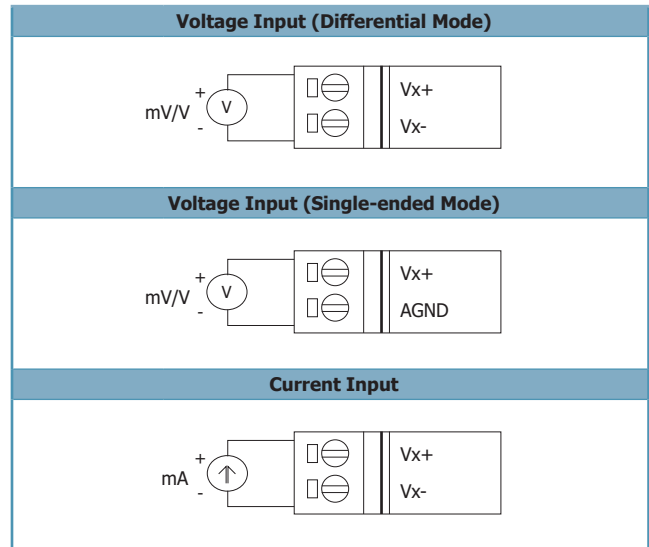
## Hardware Specifications

Analog Input	
Channels	8/16
Wire Connection	8 Differential or 16 Single-ended (Software Selectable)
Type	Voltage, Current
Range	0~10V, ±10 V, ±5 V, ±2.5 V, 0~ 20 mA, ±20 mA or 4~20mA (Software selectable)
Resolution	12-bit
Sampling Rate	1k Hz per channel
Accuracy	0.2% of FSR
Individual Channel Configuration	Yes
Over Voltage Protection	±35 VDC
Open Wire Detection for +4 ~ 20mA	Yes
Communication Interface	
Connector	2 x RJ-45
Protocol	EtherCAT
Distance between Stations	Max. 100 m (100 BASE-TX)
Data Transfer Medium	Ethernet/EtherCAT Cable (Min. CAT 5), Shielded
EMS Protection	
ESD (IEC 61000-4-2)	±4 kV Contact for Each Terminal
EFT (IEC 61000-4-4)	Signal: 1 KV Class A; Power: 1 KV Class A
Surge (IEC 61000-4-5)	1 KV Class A
Power	
Input Voltage Range	10 ~ 30 VDC
Power Consumption	4 W Max.
Mechanical	
Dimensions (H x W x D)	110 mm x 90 mm x 33 mm
Installation	DIN-Rail Mounting
Case Material	UL 94V-0 Housing
Environment	
Operating Temperature	-25 ~ +75°C
Storage Temperature	-30 ~ +80°C
Relative Humidity	10 ~ 90% RH, Non-condensing

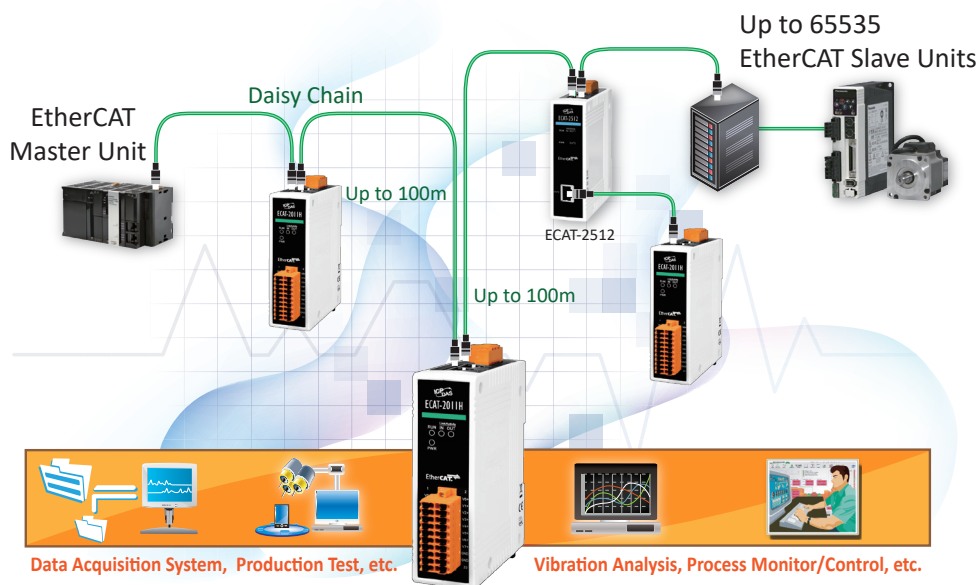
**Pin Assignments**



**Wire Connections**

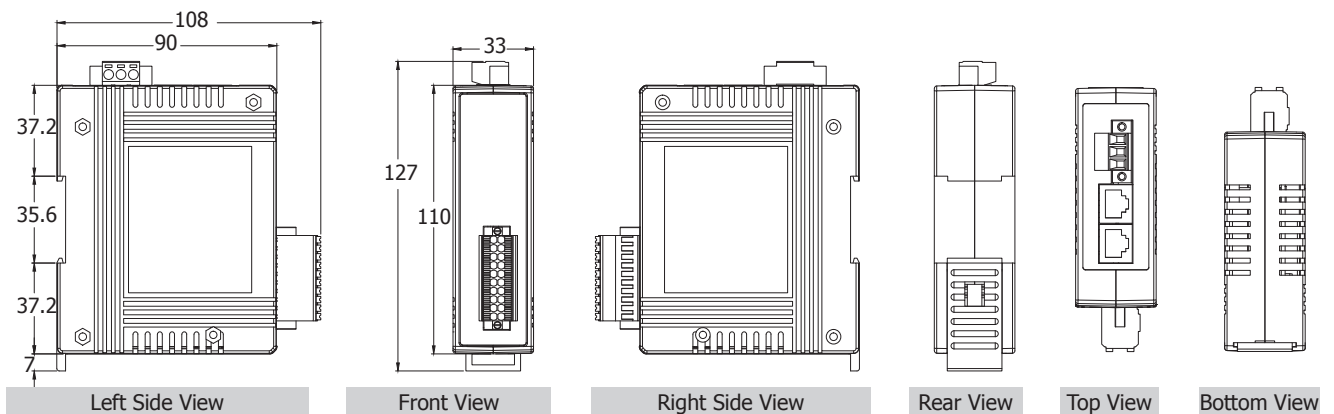


**Applications**



**ECAT-2011H**

**Dimensions (Units: mm)**



**Ordering Information**

<b>ECAT-2011H CR</b>	EtherCAT Slave I/O Module with Isolated 8 Differential or 16 Single-ended Analog Input Channels (RoHS)
----------------------	--