



I-8063

4-ch Isolated DI and 4-ch Power Relay Module

I-8063-G

Features

- 4-channel Digital Input and 4-channel Relay Output
- Form C Power Relay Output
- Sink-type and Source-type Digital Input Channels
- ± 4 kV ESD Protection
- 3750 Vdc Intra-module Isolation



Introduction

The I-8063 module provides 4 Isolated Digital Input channels and 4 Form C Relay Output channels. In addition, either sink-type or source-type Digital Input can be selected via the wire connections. The I-8063 includes 8 LED indicators that can be used to monitor the status of the Digital Input and Relay Output. 4 kV ESD protection and 3750 VDC intra-module isolation are also provided to enhance the noise protection capabilities of the module in harsh industrial environments.

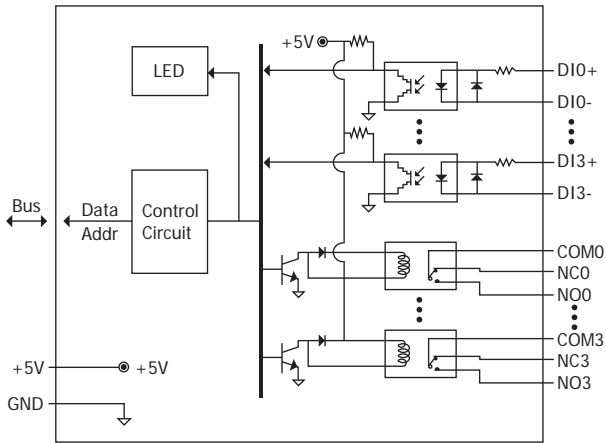
System Specifications

LED Indicators/Display	
System LED Indicators	1 LED as Power Indicator
I/O LED Indicators	8 x I/O
Isolation	
Intra-module Isolation, Field-to-Logic	3750 Vdc
EMS Protection	
ESD (IEC 61000-4-2)	± 4 kV Contact for each Terminal
Power	
Power Consumption	2 W max.
Mechanical	
Dimensions (W x L x H)	31 mm x 116 mm x 88 mm
Environment	
Operating Temperature	-25 ~ +75 °C
Storage Temperature	-40 ~ +85 °C
Humidity	10 to 90% RH, Non-condensing

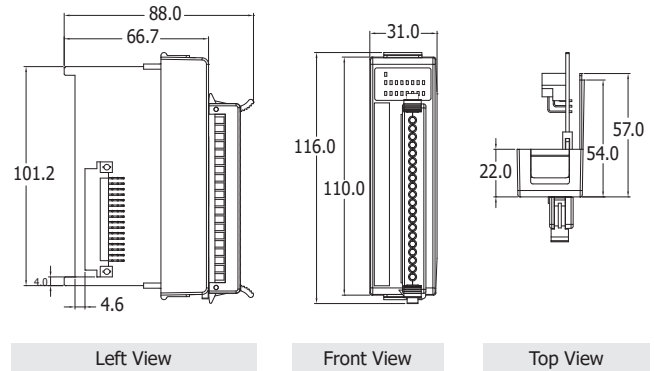
I/O Specifications

Digital Input	
Channels	4 Differential
Type	Wet Contact
Sink/Source (NPN/PNP)	Sink, Source
ON Voltage Level	+3.5 ~ +30 VDC
OFF Voltage Level	+1 Vdc max.
Input Impedance	3 k Ω , 0.25 W
Digital Output	
Max. Load Current	5 A (NO)/3 A (NC) @ 65 °C
Relay Output	
Channels	4 (Form C)
Type	Power Relay
Contact Rating	5 A, 250 VAC / 30 VDC
Operate Time	10 ms Max.
Release Time	5 ms Max.
Relay Life	Electrical Endurance: 500,000 Min. @ 30 Vdc @ 2 A, Resistive
	Mechanical Endurance: 100,000,000 Min.
Surge Strength	Between Open Contacts: 750 Vrms (@ 1 Minute)
	Between Coil and Contacts: 2000 Vrms (@ 1 Minute)

Internal I/O Structure



Dimensions (Units: mm)



Wire Connections

Input Type	ON State LED ON Readback as 0	OFF State LED OFF Readback as 1
Relay Contact	Relay ON	Relay OFF
TTL/CMOS Logic	Voltage > 10 V	Voltage < 4 V
Open Collector	Open Collector ON	Open Collector OFF
Output Type	ON State Readback as 1	OFF State Readback as 0
Relay Contact	Relay ON	Relay OFF

Pin Assignments

Terminal No.	Pin Assignment
01	DI0+
02	DI0-
03	DI1+
04	DI1-
05	DI2+
06	DI2-
07	DI3+
08	DI3-
09	NO0
10	NC0
11	COM0
12	NO1
13	NC1
14	COM1
15	NO2
16	NC2
17	COM2
18	NO3
19	NC3
20	COM3

Ordering Information

I-8063 CR	4-ch Isolated DI (Wet) and 4-ch Form C Power Relay Module (Blue Cover) (RoHS)
I-8063-G CR	4-ch Isolated DI (Wet) and 4-ch Form C Power Relay Module (Gray Cover) (RoHS)