



## I-8069

## I-8069-G

8-ch Form A PhotoMOS Relay Module

### Features

- 8 PhotoMos Relay Outputs
- 4 kV ESD Protection
- No Arcing, No Bounce, and No Switching Noise
- Optical Isolation



### Introduction

Both the I-8069 features eight Form A PhotoMOS relay output channels. In comparison to electromechanical relays, the PhotoMOS relays provide a faster response time, greater electrical endurance, higher vibration and shock resistance, and both the I-8069 include eight LED indicators that are used to display channel status as well as providing 4 kV ESD protection.

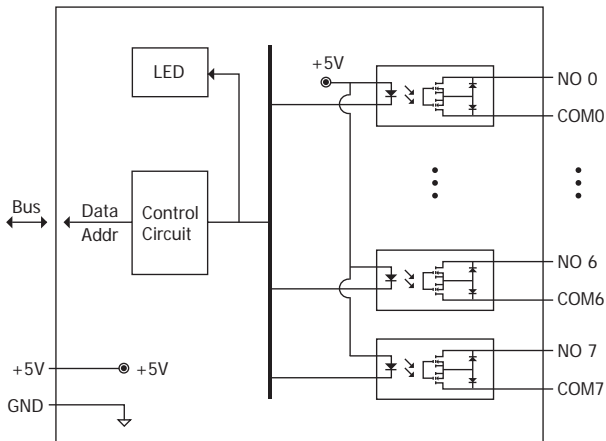
### System Specifications

LED Indicators/Display	
System LED Indictors	1 LED as Power Indicator
I/O LED Indicators	8 LEDs as PhotoMos Relay Output Indicators
Isolation	
Intra-module Isolation, Field-to-Logic	5000 Vrms
EMS Protection	
ESD (IEC 61000-4-2)	±4 kV Contact for each Terminal
Power	
Power Consumption	0.6 W max.
Mechanical	
Dimensions (W x L x H)	31 mm × 116 mm × 88 mm
Environment	
Operating Temperature	-25 ~ +75 °C
Storage Temperature	-40 ~ +85 °C
Humidity	10 ~ 90% RH, Non-condensing

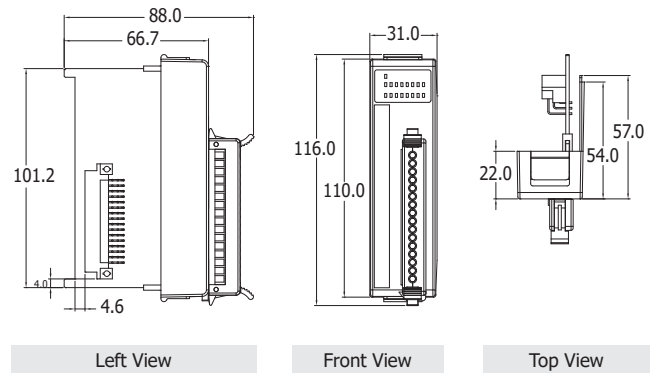
### I/O Specifications

Digital Output	
Load Voltage	60 VDC Max. @ DC/AC
Max. Load Current	60 VDC/0.55 A
Relay Output	
Channels	8 (Form A)
Type	PhotoMOS Relay
Turn On Time	1 ms (Typical)
Turn Off Time	0.05 ms (Typical)
Peak Load Current	3 A @ 100 ms
Output Off State Leakage Current	1 uA
Output On Resistance	0.85 Ω

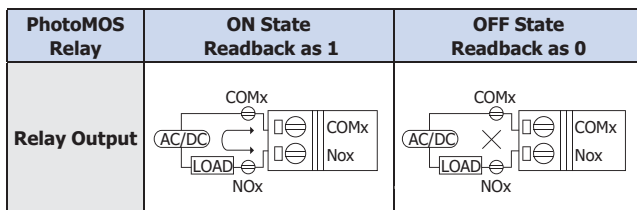
## Internal I/O Structure



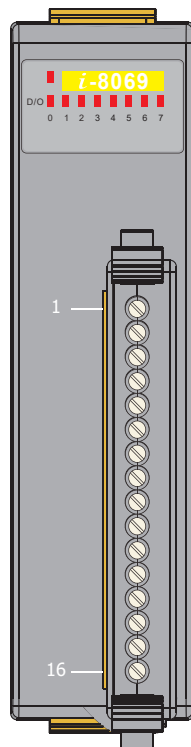
## Dimensions (Units: mm)



## Wire Connections



## Pin Assignments



Terminal No.	Pin Assignment
01	NO0
02	COM0
03	NO1
04	COM1
05	NO2
06	COM2
07	NO3
08	COM3
09	NO4
10	COM4
11	NO5
12	COM5
13	NO6
14	COM6
15	NO7
16	COM7

## Ordering Information

<b>I-8069 CR</b>	8-ch Form A PhotoMOS Relay Module (Blue Cover) (RoHS)
<b>I-8069-G CR</b>	8-ch Form A PhotoMOS Relay Module (Gray Cover) (RoHS)