



MQ-7244M

MQTT I/O Module with 8-ch DI, 8-ch DO

Features

- Built-in Web Server
- Web HMI
- Support for MQTT Protocol
- Support Modbus TCP Protocol
- 2-port Ethernet Switch for Daisy-Chain Topology
- Dual Watchdog
- Built-in I/O
 - DI: 8 Channels
 - DO: 8 Channels



Introduction

The MQ-7244M is an Ethernet I/O device equipped with 8-channel DI and 8-channel DO, as well as the MQTT and Modbus TCP protocols are supported for connecting with a variety of digital sensors in Industrial Internet of Things (IIoT) applications. A web-based user interface is provided to configure module, monitor the network connection status and I/O status, and control digital output channels on the module via a normal web browser on a mobile device or computer. The MQ-7244M features optical isolation for 2500 VDC of transient overvoltage protection, but doesn't provide channel-to-channel isolation. Each output channel can drive up to 650 mA load, together with configurable power-on value and safe value. It can safely be used in applications where hazardous voltages are present.

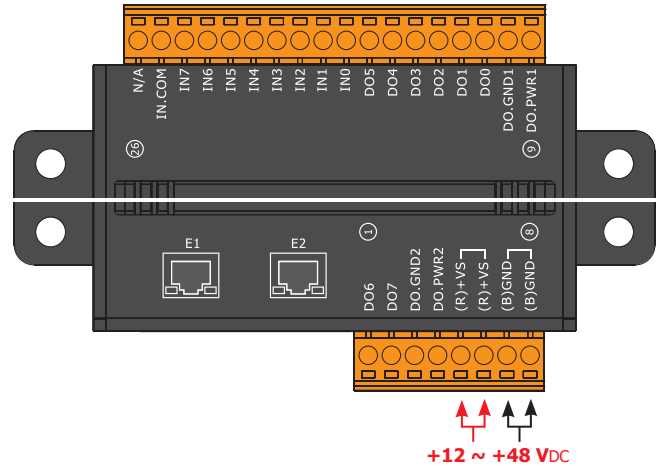
System Specifications

Model	MQ-7244M
CPU Module	
Watchdog Timer	Yes, Module (0.8 second), Communication (Programmable)
EMS Protection	
EFT (IEC 61000-4-4)	±4 kV for Power Line
ESD (IEC 61000-4-2)	±4 kV Contact for Each Terminal and ±8 kV Air for Random Point
Software	
Built-in Web Server	Yes
Ethernet	
Ports	2 x RJ-45, 10/100 Base-TX, Switch Ports
Protocol	MQTT 3.1.1 Modbus/TCP, Modbus/UDP
Isolation	1500 VDC
Power	
Reverse Polarity Protection	Yes
Consumption	3.3 W Max.
Powered from Terminal Block	12 ~ 48 VDC
Mechanical	
Casing	Metal
Dimensions (mm)	120 mm x 97 mm x 42 mm (L x W x H)
Installation	DIN-Rail or Wall mounting
Environmental	
Operating Temperature	-25 ~ +75°C
Storage Temperature	-30 ~ +80°C
Humidity	10 ~ 90% RH, Non-condensing

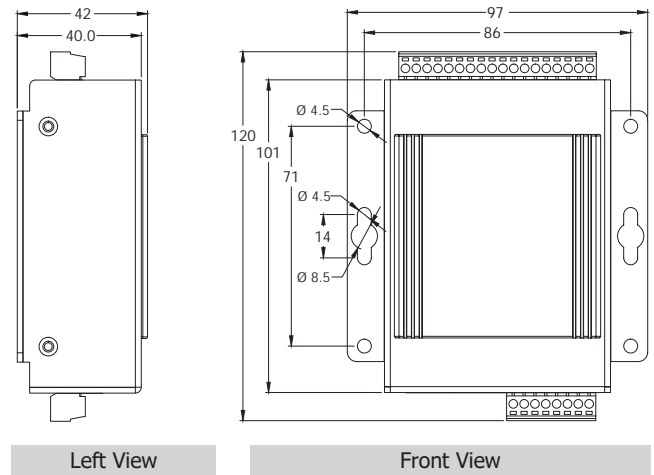
I/O Specifications

Model	MQ-7244M
Digital Input	
Channels	8
Type	Wet
Sink/Source (NPN/PNP)	Sink, Source
ON Voltage Level	+10 VDC ~ +50 VDC
OFF Voltage Level	+4 VDC max.
Input Impedance	10 kΩ
Overvoltage Protection	+70 VDC
Digital Output	
Channels	8
Type	Isolated Open Collector
Sink/Source (NPN/PNP)	Sink
Load Voltage	+3.5 VDC ~ +50 VDC
Max. Load Current	650 mA/channel at 25°C Direct Drive Power Relay Module
Overvoltage Protection	60 VDC
Overload Protection	1.4 A
Short-Circuit Protection	Yes
Power on Value	Yes, Programmable
Safe Value	Yes, Programmable

Pin Assignments



Dimensions (Units: mm)



Wire Connections

Digital Input	Readback as 1	Readback as 0
Sink	+10 ~ +50 VDC 	OPEN or <4 VDC
	Source 	OPEN or <4 VDC

Output Type	ON State Readback as 1	OFF State Readback as 0
Drive Relay 		
Resistance Load 		

Ordering Information

MQ-7244M CR	MQTT I/O Module with 2-port Ethernet Switch, with 8-ch DI and 8-ch DO (RoHS)
--------------------	--