



VP-x239-CE7
InduSoft ViewPAC

Features

- InduSoft runtime inside
- Cortex-A8 CPU (32-bit @ 1 GHz)
- VP-1239-CE7 with 5.7" TFT LCD & 6 Keys Rubber Keypad
- VP-4239-CE7 with 10.4" TFT LCD & 6 Keys Rubber Keypad
- 64-bit Hardware Serial Number for Software Protection
- I/O Expansion: Ethernet, RS-232/422/485, FRnet, CAN bus
- Built-in one Ethernet Port, 2 Serial Ports (RS-232 & RS-485)
- IP65 Compliant Front Panel
- Audio with Earphone-Out
- 3 Slots for High Profile I/O Modules
- Operating Temperature: -20 ~ +70°C



Introduction

ViewPAC-1239-CE7/ViewPAC-4239-CE7/ViewPAC-6239-CE7 is the new generation WinCE based PAC from ICP DAS. ViewPAC combines WinPAC, graphic display and keypad in one unit. It equips a Cortex-A8 CPU (1 GHz) running Windows CE.NET 7.0 operating system, variant connectivities (USB, Ethernet, RS-232/485), 3 slots to expand I/O modules, 5.7"/10.4"/15" TFT LCD and a rubber keypad.

Its operating system, Windows CE.NET 7.0, has many advantages, includes hard real-time capability, small core size, fast boot speed, interrupt handling at a deeper level, achievable deterministic control and low cost. The ViewPAC also features with the powerful InduSoft Web Studio. InduSoft is the most powerful, integrated collection of e-automation development tool that includes all the building blocks needed to develop Human Machine Interface (HMI) and Supervisory Control and Data Acquisition (SCADA) systems. Compared to traditional IPC + PLC solutions, ViewPAC reduces overall system cost, space and gives you all the best features of IPC and PLC.

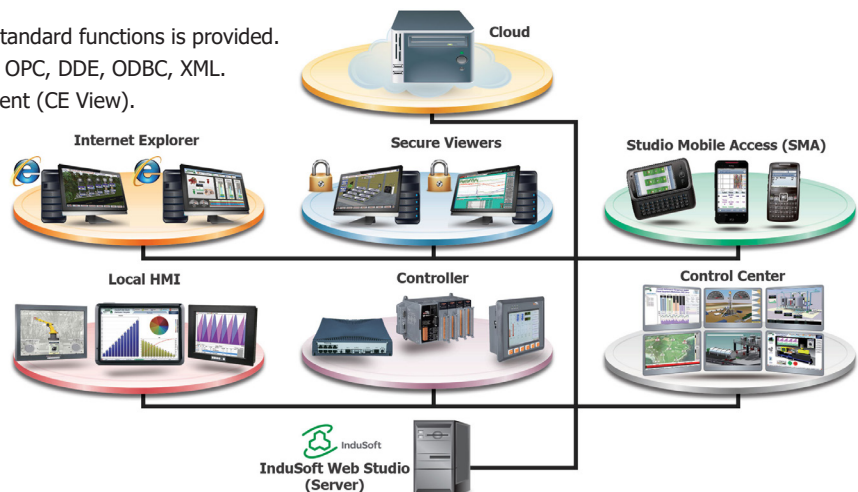
InduSoft Web Studio

InduSoft Web Studio is a powerful, integrated collection of automation tools that includes all the building blocks needed to develop modern Human Machine Interfaces (HMI), Supervisory Control and Data Acquisition (SCADA) systems, and embedded instrumentation and control applications. InduSoft Web Studio supports all Windows runtime platforms, ranging from Windows CE, Windows XP, Windows XP Embedded, Vista, Windows 7 (32/64 bit), Windows 8 (32/64 bit), Windows 8.1 (32/64 bit), and Windows Server Editions, along with built-in support for local or remote (web) based visualization. InduSoft also conforms to industry standards such as Microsoft .NET, OPC, DDE, ODBC, XML, and ActiveX.

ICP DAS provides the InduSoft bundled driver to integrate InduSoft software and ICP DAS products (I-7000, I-8000, I-87K and CAN Series) for SCADA system. There are also OPC, DDE and ActiveX development toolkit provided to cooperate with InduSoft. Besides, the VxComm software of ICP DAS can be performed to link to Internet/Intranet modules in an easy way. And DCON Utility of ICP DAS can be used to configure network module for easy use and maintenance.

Features of InduSoft:

- Intuitive script language with more than 100 standard functions is provided.
- Conform to industry standards: Microsoft.NET, OPC, DDE, ODBC, XML.
- Full-Featured WinCE-based run-time environment (CE View).
- Dynamic library of symbols - customizable.
- ActiveX container (Windows NT/CE).
- Automatic e-mail (SMTP) and dial-up connection interface supported.
- Provide multi-level security for applications including the Internet and Intranet.

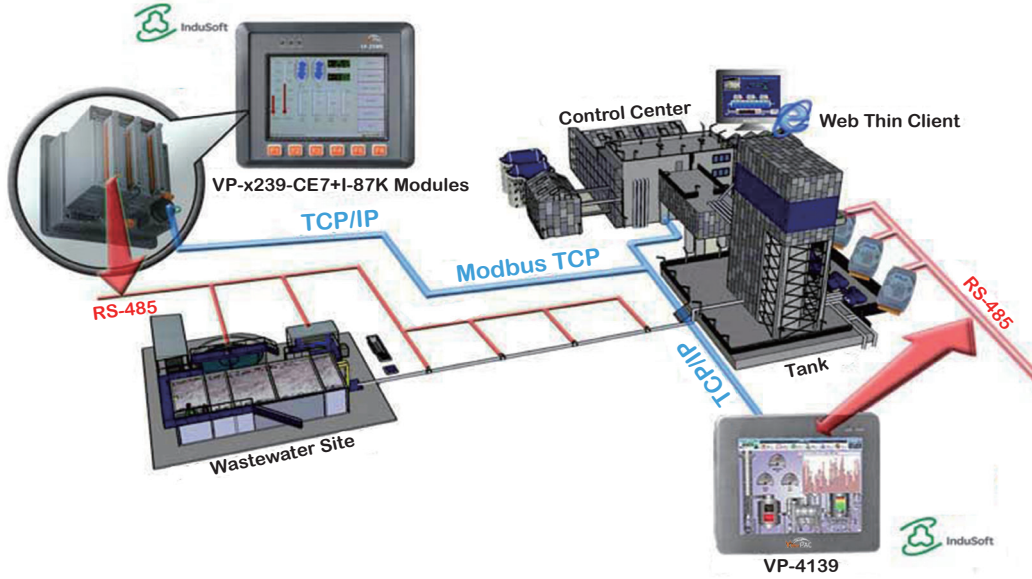


System Specifications

Models	VP-1239-CE7	VP-4239-CE7	VP-6239-CE7
System Software			
OS	Windows CE 7.0		
.Net Compact Framework	3.5		
Embedded Service	FTP server, Web server (supports VB script, JAVA script), Embedded SQL server		
SDK Provided	DII for eVC, DII for Visual Studio.Net 2008		
Development Software			
InduSoft Software	InduSoft Web Studio Runtime		
Web Service			
Web HMI	Support Web HMI function, PC running Internet Explorer can access to the VP-1239-CE7 via Intranet, Internet or dial modem.		
Security	Web HMI supports three levels user name and password protection.		
CPU Module			
CPU	Cortex-A8 (32-bit and 1 GHz)		
SDRAM	512 MB		
MRAM	128 KB (for 5 years data retain)		
Flash	256 MB		
EEPROM	16 KB		
Expansion Flash Memory	microSD socket with one 4 GB microSD card (support up to 32 GB microSDHC card)		
RTC (Real Time Clock)	Provide seconds, minutes, hours, day of week/month, month and year, valid from 1980 to 2079		
64-bit Hardware Serial Number	Yes		
Dual Watchdog Timer	Yes		
Rotary Switch	Yes (0 ~ 9)		
Communication Interface			
Ethernet	RJ-45 x 1, 10/100 Base-TX (Auto-negotiating, Auto MDI/MDI-X, LED indicators)		
USB 1.1 (host)	1	2	
USB 1.1 (client)	1	1	
COM 0	Internal communication with I-87K modules in slots		
COM 2	RS-485 (D2+, D2-); self-tuner ASIC inside; 2500 VDC Isolated.		
COM 3	RS-232 (Rx/D, Tx/D, CTS, RTS, DSR, DTR, CD, RI and GND); Non-isolated		
MMI (Man Machine Interface)			
LCD	5.7" TFT (Resolution 640 x 480)	10.4" TFT (Resolution 800 x 600)	15" TFT (Resolution 1027 x 768)
Touch Panel	Yes		
Rubber Keypad	6 Keys	-	-
Audio	Microphone-In and Earphone-Out	Earphone-Out	Microphone-In and Earphone-Out
LED Indicators	3 Dual-Color LEDs (PWR, RUN, LAN1, L1, L2, L3; L1~L3 For User Programmable)	2 Dual-Color LEDs (PWR, RUN)	
I/O Expansion Slots			
Slot Number	3 (For High Profile I-8K and I-87K Modules Only)		
Mechanical			
Dimensions (W x L x H)	182 mm x 158 mm x 125 mm	293 mm x 231 mm x 129 mm	381 mm x 305 mm x 139 mm
Ingress Protection	Front panel: IP65		
Environment			
Operating Temperature	-20 ~ +70°C		
Storage Temperature	-30 ~ +80°C		
Humidity	10% ~ 90% RH, non-condensing		
Power			
Input Range	+10 ~ +30 VDC		
Isolation	1 kV		
Capacity	2.5 A, 5 V supply to I/O expansion slots		
Consumption	7.2 W (0.3 A @ 24 VDC)	8.5 W	0.65 W (0.3 A @ 24 VDC)

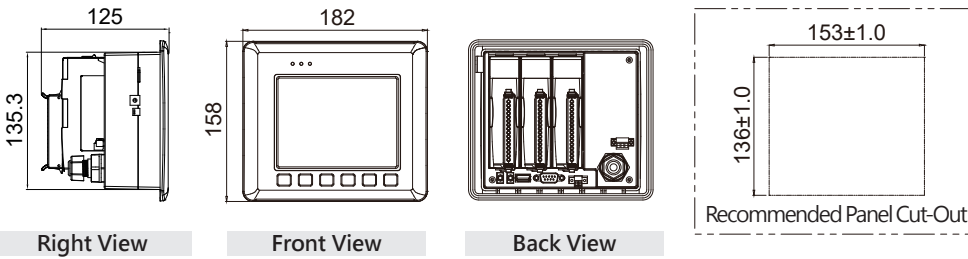
Applications

Environment monitoring, factory automation, building management system, industrial machine control, etc.

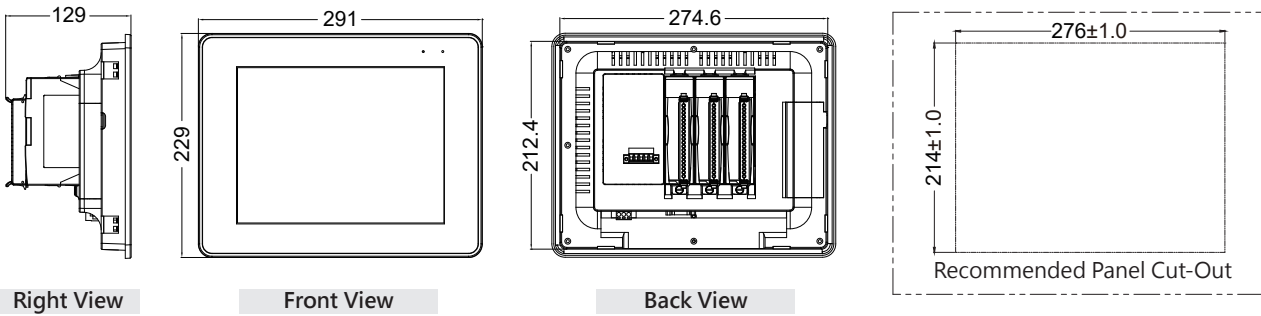


Dimensions (Units: mm)

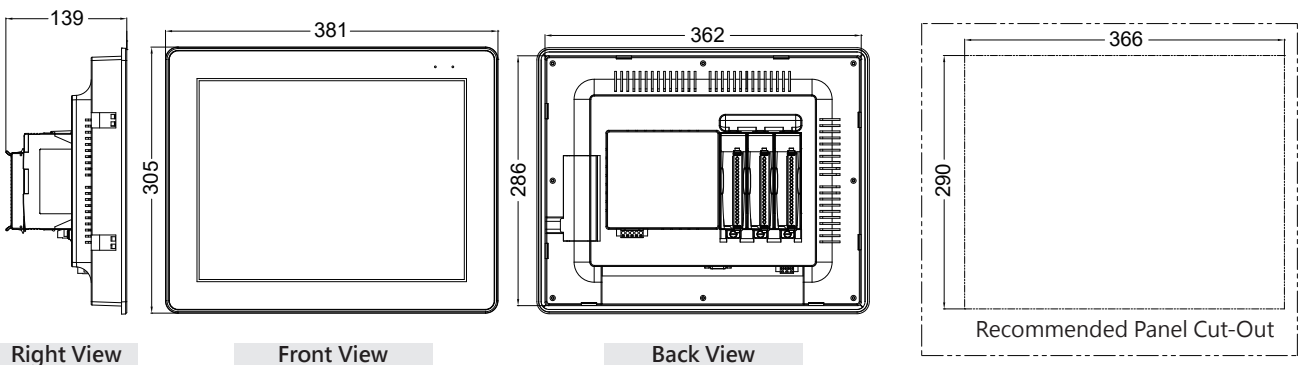
VP-1239-CE7



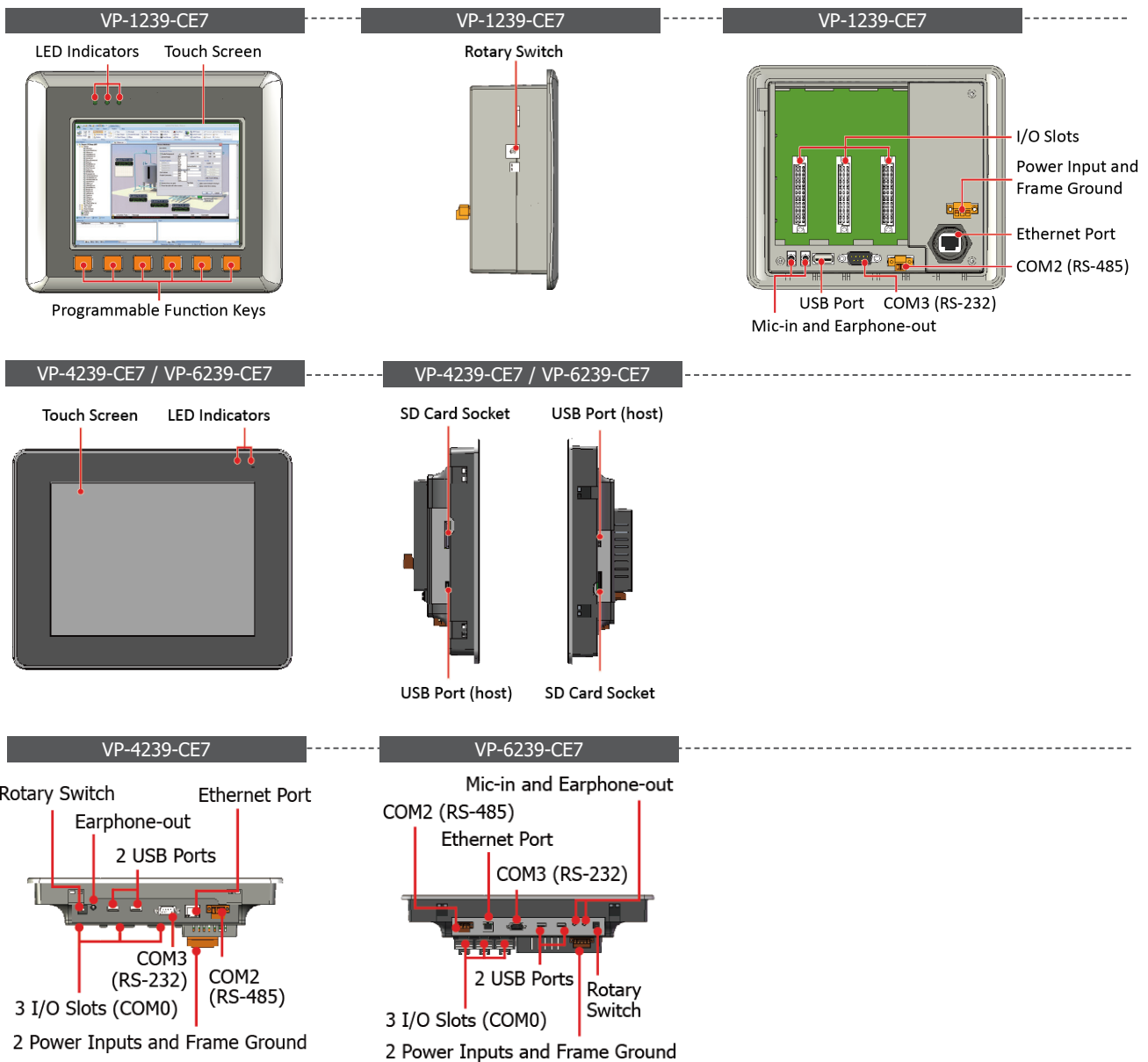
VP-4239-CE7



VP-6239-CE7



Appearance



Ordering Information

InduSoft Default Runtime License: 300 Tags, Unlimited Drivers	
VP-1239-CE7 CR	5.7" LCD InduSoft Based ViewPAC with WinCE 7.0 and 3 I/O slots (RoHS)
VP-4239-CE7 CR	10.4" LCD InduSoft Based ViewPAC with WinCE 7.0 and 3 I/O slots (RoHS)
VP-6239-CE7 CR	15" LCD InduSoft Based ViewPAC with WinCE 7.0 and 3 I/O slots (RoHS)
InduSoft Default Runtime License: 1500 Tags, Unlimited Drivers	
VP-1239-CE7-1500 CR	5.7" LCD InduSoft Based ViewPAC with WinCE 7.0 and 3 I/O slots (RoHS)
VP-4239-CE7-1500 CR	10.4" LCD InduSoft Based ViewPAC with WinCE 7.0 and 3 I/O slots (RoHS)
VP-6239-CE7-1500 CR	15" LCD InduSoft Based ViewPAC with WinCE 7.0 and 3 I/O slots (RoHS)

Accessories

DP-660	24 VDC/2.5 A, 60 W and 5 VDC/0.5 A, 2.5 W Power Supply with DIN-Rail Mounting
MDR-20-24 CR	24 VDC/1.0 A, 24 W Power Supply with DIN-Rail Mounting
MDR-60-24 CR	24 VDC/2.5 A, 60 W Power Supply with DIN-Rail Mounting
USB-2560 CR	4-Port Industrial USB 2.0 Hub (RoHS)
NS-208 CR	8-Port Unmanaged Industrial 10/100 Base-TX Ethernet Switch (RoHS)