

Features

- x86 CPU, 1 GHz, dual-core
- Windows CE 6.0
- Hard Real-Time Capability
- Rich I/O Expansion Ability (RS-232/RS-485, FRnet,CAN)
- VGA Port Output
- Support eLogger HMI
- Redundant Power Inputs
- Operating Temperature: -25°C to +75°C



Introduction

XP-8x31-CE6 Series is the new generation Windows CE 6.0 based PACs of ICP DAS. It is equipped with a x86 CPU (1 GHz) dual-core, various connectivity (VGA, USB, Ethernet, RS-232/485) and 0/1/3/7 I/O slot(s) for high performance parallel I/O modules (high profile I-8K Series) and serial I/O modules (high profile I-87K series).

The benefits of running Windows CE 6.0 on XP-8x31-CE6 include hard real-time capability, small core size, fast boot speed, interrupt handling at a deeper level and achievable deterministic control. XPAC is also capable of running PC-based control software such as Visual Basic .NET, Visual C#,.... etc. It has all of the best features of both traditional PLCs and Windows capable PCs.

For software copy protection, programmers can design software based on the 64-bit hardware serial number for making software copy protected.

Windows CE6

Windows CE 6 is a compact and real-time OS used to quickly create time critical and high performance applications. With Windows CE 6, users can use familiar tools (VS .NET 2005/2008) to develop software. Its kernel architecture supports significantly more simultaneously running processes, from 32 up to 32,000 simultaneous processes, each of which can run in a 2 GB virtual memory address space. This allows developers to incorporate larger numbers of more complex applications into the XP-8x31-CE6.



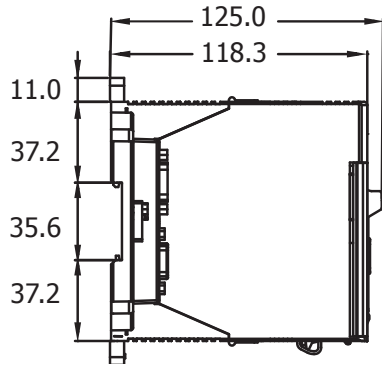
- FTP Server
- Web Server
- SQL Compact Edition 3.5
- .NET Compact Framework 3.5

Specifications

Models	XP-8031-CE6	XP-8131-CE6	XP-8331-CE6	XP-8731-CE6
System Software				
OS	Windows CE 6.0			
.Net Compact Framework	3.5			
Embedded Service	FTP Server, ASP (Java Script, VB Script), SQL Compact Edition 3.5			
SDK Provided	DII for Visual Studio .Net 2005/2008			
Multilanguage Support	English, German, French, Spanish, Russian, Italian, Czech, Japanese, Korean, Simplified Chinese, Traditional Chinese			
CPU Module				
CPU	x86 CPU, 1 GHz, dual-core			
System Memory	2 GB DDR3			
MRAM	Non-volatile Memory, 512 KB (retain memory without battery support)			
Flash	32 GB			
EEPROM	16 KB			
CF Card	8 GB (support up to 32 GB)			
RTC (Real Time Clock)	Provide second, minute, hour, date, day of week, month, year			
LED Indicator	2			
Hardware Serial Number	Yes, 64-bit Hardware Serial Number for Software Copy Protection			
Dual Watchdog Timers	Yes			
Rotary Switch	Yes (0 to 9)			
DIP Switch	-	Yes (8 bits)		
Audio	Microphone-In and Earphone-Out			
VGA & Communication Ports				
VGA	Yes, (resolution: 1024 x 768, 800 x 600 , 640 x 480)			
Ethernet (Giga bit)	RJ-45 x 2, 10/100/1000 Base-T (Auto-negotiating, Auto MDI/MDI-X, LED indicators)			
USB 2.0	4			
COM 1	RS-232 (RxD, TxD and GND); non-isolated	Internal communication with the high profile I-87K series modules in slots		
COM 2	RS-232 (RxD, TxD and GND); non-isolated			
COM 3	RS-485 (Data+, Data-) with internal self-tuner ASIC; 3000 VDC isolated			
COM 4	RS-232/RS-485 (RxD, TxD, CTS, RTS, GND for RS-232, Data+, Data- for RS-485); non-isolated			
COM 5	RS-232 (RxD, TxD, CTS, RTS, DSR, DTR, CD, RI and GND); non-isolated			
No. of I/O Expansion Slots	0	1	3	7
Mechanical				
Dimensions (W x L x H)	137 x 132 x 125 mm	169 x 132 x 125 mm	231 x 132 x 125 mm	355 x 132 x 125 mm
Installation	DIN-Rail or Wall Mounting			
Environmental				
Operating Temperature	-25 to +75°C			
Storage Temperature	-30 to +80°C			
Ambient Relative Humidity	10 to 90% RH, non-condensing			
Power				
Input Range	+10 to +30 VDC			
Isolation	1 kV			
Redundant Power Inputs	Yes, with one power relay (1 A @ 24 VDC) for alarm			
Capacity	20 W	20 W	30 W	35 W
Consumption	12W (0.5 A @ 24 VDC)	16.6 W (0.69 A @ 24 VDC)	16.8 W (0.7 A @ 24 VDC)	18 W (0.75 A @ 24 VDC)

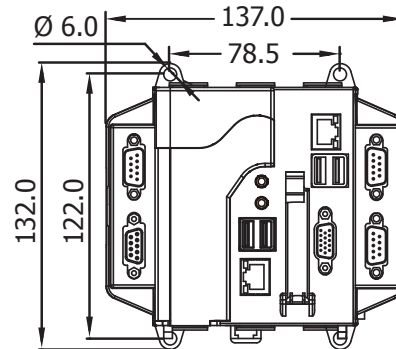
■ Dimensions

Side View



Front View

XP-8031-CE6

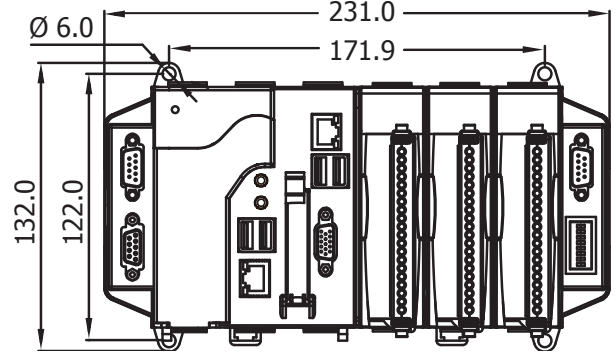
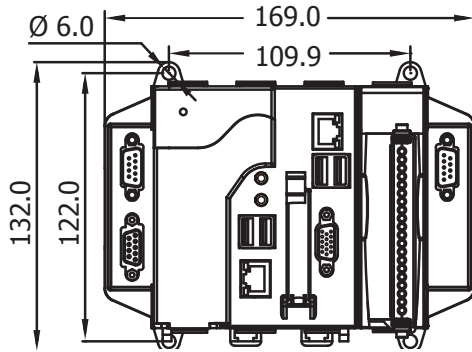


Front View

XP-8131-CE6

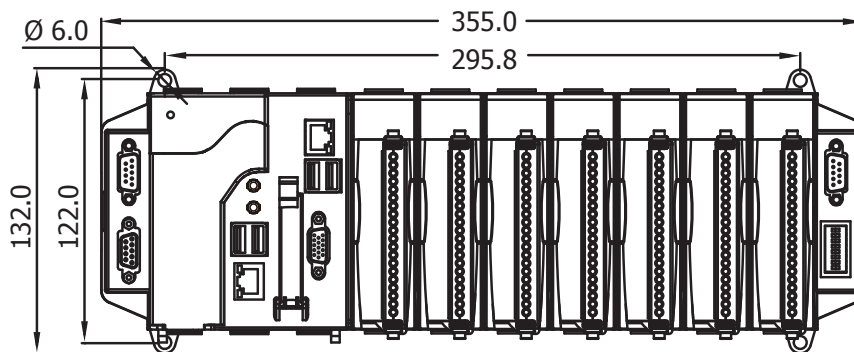
Front View

XP-8331-CE6



Front View

XP-8731-CE6



■ Ordering Information

XP-8031-CE6	Standard XP-8000-CE6 with x86 CPU, Windows CE6 OS, and 1 I/O Slot (RoHS)
XP-8131-CE6	Standard XP-8000-CE6 with x86 CPU, Windows CE6 OS, and 1 I/O Slot (RoHS)
XP-8331-CE6	Standard XP-8000-CE6 with x86 CPU, Windows CE6 OS, and 3 I/O Slots (RoHS)
XP-8731-CE6	Standard XP-8000-CE6 with x86 CPU, Windows CE6 OS, and 7 I/O Slots (RoHS)