

NS-105PSE-24V *Available soon*

NS-205PSE-24V/NSM-205PSE-24V *NEW*

5-port 10/100 Mbps PoE (PSE) Ethernet Switch with +24 V_{DC} Input

NSM-210PSE-24V *Available soon*

10-port 10/100 Mbps PoE (PSE) Ethernet Switch with +24 V_{DC} Input



NS-105PSE-24V/NS-205PSE-24V/NSM-205PSE-24V						For NS(M)-105/205PSE-24V		For NSM-210PSE-24V	
-40 ~ +75 °C						x 1	x 4	x 2	x 8
Wide Temperature	DIN-Rail Mount	CE	FCC	RoHS	WEEE	LAN	PoE + LAN	LAN	PoE + LAN

Features ▶▶▶

- Automatic MDI/MDI-X crossover for plug-and-play
- Full duplex IEEE 802.3x and half duplex backpressure flow control
- Supports operating temperatures from -40 °C ~ +75 °C
- Each port supports both 10/100 Mbps speed auto negotiation
- Power Inputs +18 V_{DC} ~ +32 V_{DC}
- Store-and-forward architecture
- 3.2 Gbps high performance memory bandwidth
- IEEE 802.3af compliant PoE ports
- DIN-Rail Mounting

Introduction

The NS-105PSE-24V/NS-205PSE-24V/NSM-205PSE-24V is a 5-port unmanaged PoE (Power over Ethernet) Industrial Ethernet switch; it supports 4 PoE ports which are classified as power source equipment (PSE). The NS-105PSE-24V/NS-205PSE-24V/NSM-205PSE-24V makes centralized power supply come true and provides up to 15.4 watts of power per PSE port.

The NSM-210PSE-24V is a 10-port unmanaged Ethernet switch; it supports 8 PoE ports which are classified as power source equipment (PSE).

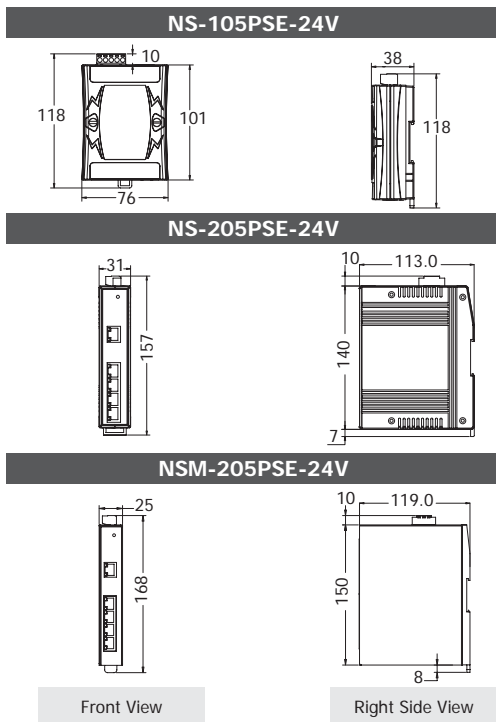
Ethernet switches are designed with +24 V_{DC} to +48 V_{DC} boost for PoE application where +48 V_{DC} power supply is not available.

Specifications

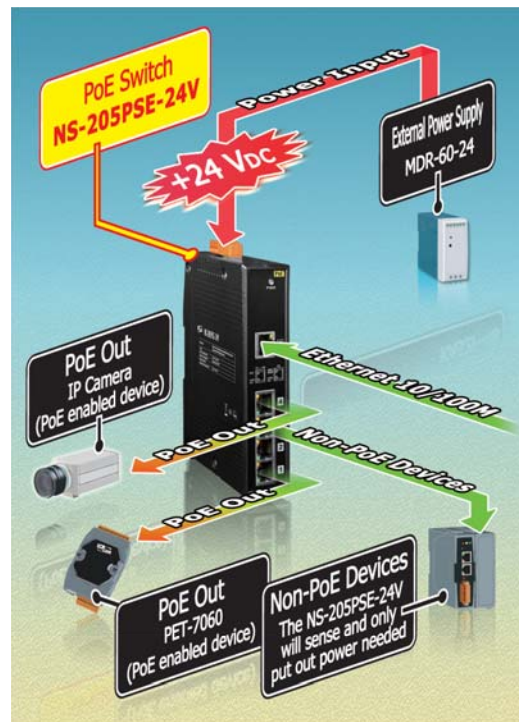
Models	NS-105PSE-24V	NS-205PSE-24V	NSM-205PSE-24V	NSM-210PSE-24V
Technology				
Standards	IEEE 802.3, 802.3u, 802.3x, 802.3af (Power over Ethernet)			
Processing Type	Store & forward; wire speed switching			
MAC Addresses	1024			
Memory Bandwidth	3.2 Gbps			
Frame Buffer Memory	512 Kbit			
Flow Control	IEEE 802.3x flow control, back pressure flow control			
Interface				
RJ-45 Ports	10/100 Base-T(X) auto negotiation speed, F/H duplex mode, and auto MDI/MDI-X connection			
LED Indicators	Power, Link/Act, 10/100M, Power Device is detected			
Ethernet Isolation	1500 V _{rms} 1 minute			
EMS Protection	Yes			

Models	NS-105PSE-24V	NS-205PSE-24V	NSM-205PSE-24V	NSM-210PSE-24V
Power Input				
Input Voltage Range	+18 Vdc ~ +32 Vdc			
Power Consumption	0.24 A @ 24 Vdc without PD loading 3.2 A @ 24 Vdc with PD full loading		0.6 A @ 24 Vdc without PD loading 6.5 A @ 24 Vdc with PD full loading	
Protection	Power reverse polarity protection			
EMS Protection	Yes			
Connector	5-Pin Removable Terminal Block	3-Pin Removable Terminal Block		
PoE Technology				
PoE Compliance	100% IEEE 802.3af compliant			
PoE Classification	PSE (Power Sourcing Equipment)			
PoE Power	Up to 15.4 watts per channel			
PoE Operation	Automatic detection and power management			
PoE Pin Assignments	V+ (Pin 1, 2), V- (Pin 3, 6)			
PoE Disconnect Mode	DC disconnect			
Mechanical				
Casing	Plastic (Flammability UL 94V-0)		Metal (IP30 Protection)	
Dimensions (W x L x H) (Units: mm)	76 x 38 x 118	31 x 113 x 157	25 x 119 x 168	25 x 119 x 168
Installation	DIN-Rail Mounting			
Environment				
Operating Temperature	-40 °C ~ +75 °C			
Storage Temperature	-40 °C ~ +85 °C			
Ambient Relative Humidity	10% ~ 90% RH, non-condensing			

Dimensions (Units: mm)



Applications



Ordering Information

NS-105PSE-24V CR	Unmanaged 5-port 10/100 Mbps PoE (PSE) Ethernet Switch; +24 Vdc Input (RoHS)
NS-205PSE-24V CR	Unmanaged 5-port 10/100 Mbps PoE (PSE) Ethernet Switch; +24 Vdc Input (RoHS)
NSM-205PSE-24V CR	Unmanaged 5-port 10/100 Mbps PoE (PSE) Ethernet Switch with Metal Casing; +24 Vdc Input (RoHS)
NSM-210PSE-24V CR	Unmanaged 10-port 10/100 Mbps PoE (PSE) Ethernet Switch with Metal Casing; +24 Vdc Input (RoHS)

Accessories

DP-1200	24V/5A, 120 W Power Supply with DIN-Rail Mounting
MDR-60-24	24V/2.5A, 60 W Power Supply with DIN-Rail Mounting
DIN-KA52F	24V/1.04A, 25 W Power Supply with DIN-Rail Mounting