

## I-7561

### USB to Isolated RS-232/422/485 Converter



I-7561

I-7561-G



### Features ▶▶▶

- Fully Compliant with the USB 1.1/2.0 (High Speed)
- 3000 V<sub>DC</sub> Isolation Protection on the RS-232/422/485 side
- ESD Protection for the RS-232/422/485 Data Line
- Driver Supports Windows 98/ME/2000/XP/Vista (32/64-bit)/7 (32/64-bit)/Linux
- No External Power Supply required
- Automatic RS-485 Direction Control
- Operating Temperatures, -25 °C ~ +75 °C
- DIN-Rail Mounting

### Introduction

The I-7561 is a cost-effective module for transferring serial data via USB. It allows you to connect your serial devices to systems that use a USB interface. Connecting the I-7561 to a PC, you get one RS-232/422/485 port. Like the I-7520A, the I-7561 contains "Self-Tuner" chip auto-tunes the Baud Rate and data format to the RS-485 network. The I-7561 module derives its power from the USB port and doesn't need any power adapter.

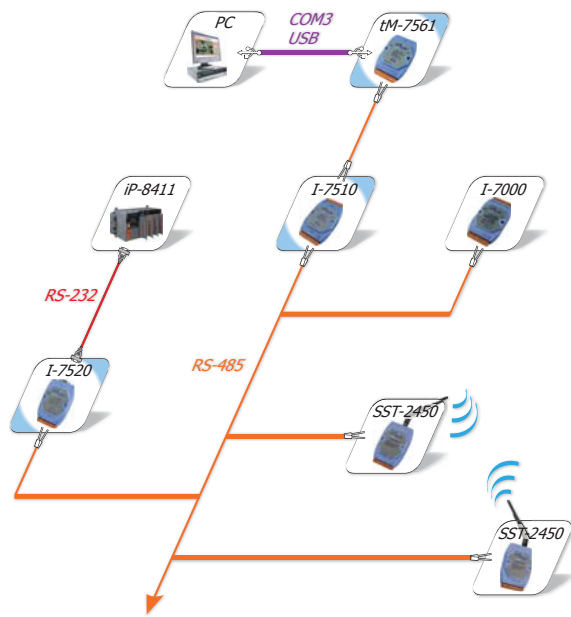
### Software

Driver	Windows 98/ME/2000/XP/Vista (32/64-bit)/7 (32/64-bit)/Linux
--------	---

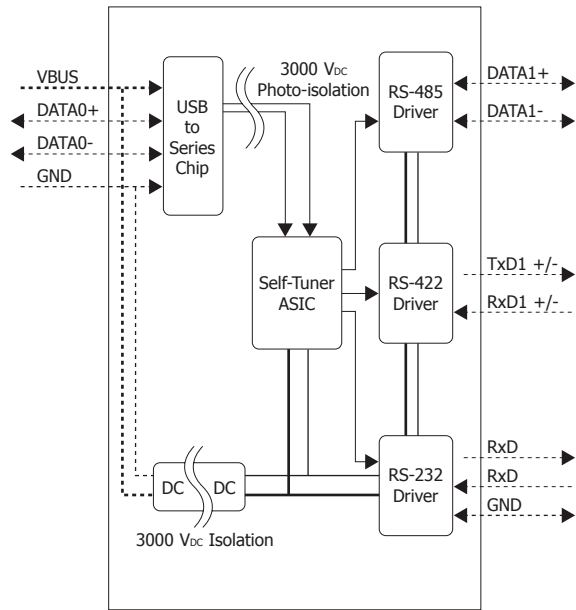
### System Specifications

Interface			
USB		Compatibility: USB 1.1 and 2.0 standards	
Serial Interface	RS-232	TxD, Rx D, GND	The RS-232, RS-422 and RS-485 cannot be used simultaneously
	RS-422	TxD+, TxD-, Rx D+, Rx D-	
	RS-485	Data+, Data-	
RS-422/485 Transmission Distance		Max. 1,200 m at 9.6 kbps; Max. 400 m at 115.2 kbps (Belden 9841 2P twisted-pair cable, if different cables are used, the transmission distance may change)	
Self-Tuner Asic Inside (RS-485)		Yes	
Speed		300 ~ 115200 bps	
Connector	RS-232/422/485	Removable 10-Pin Terminal Block	
	USB	Type B	
Cable Included		CA-USB18 (1.8 m Cable) x 1	
LED Indicators			
Power		Yes	
Power			
Input Voltage Range		+5 V <sub>DC</sub> from USB	
Power Consumption		0.5 W	
Mechanical			
Casing		Plastic	
Flammability		Fire-Retardant Materials (UL94-V0 Level)	
Dimensions (W x H x D)		72 mm x 115 mm x 35 mm	
Installation		DIN-Rail Mounting	
Environment			
Operating Temperature		-25 °C ~ +75 °C	
Storage Temperature		-30 °C ~ +75 °C	
Humidity		10 ~ 90% RH, non-condensing	

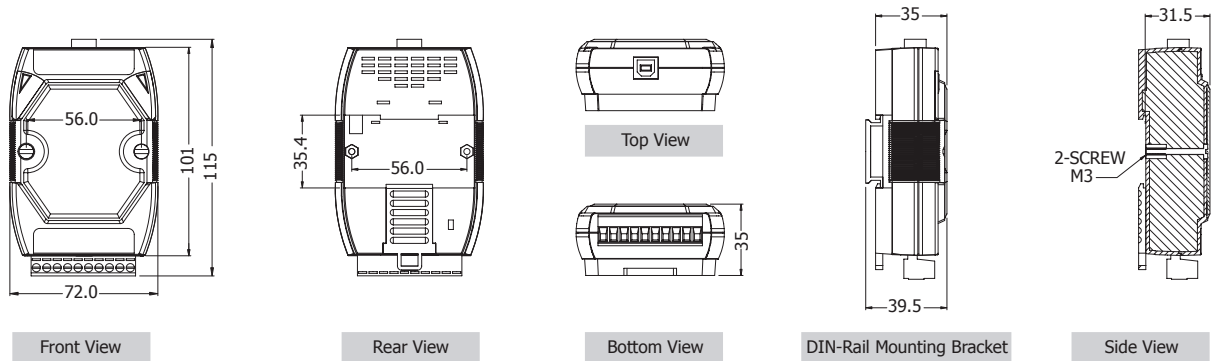
## Applications



## Internal I/O Structure



## Dimensions (Unit: mm)



## Pin Assignments



Terminal No.	Pin	Assignment
RS-485	01	DATA+
	02	DATA-
	03	TxD+
	04	TxD-
RS-422/485	05	RxD+/DATA2+
	06	RxD-/DATA2-
	07	TxD
	08	RxD
RS-232	09	(B)GND
	10	(B)GND

## Ordering Information

I-7561 CR	USB to Isolated RS-485 Converter (RoHS)
I-7561-G CR	USB to RS-232/422/485 Converter (Gray Cover) (RoHS)
Include Cable	CA-USB18 (1.8 m Cable) x 1

## Accessories

USB-2560 CR	Industrial 4-port USB 2.0 Hub
CA-USB18	USB Type A to Type B Cable