



PISO-P16R16U PEX-P8R8i/P16R16i

User Manual

Version 1.8
Oct. 2011

Warranty

All products manufactured by ICP DAS are warranted against defective materials for a period of one year from the date of delivery to the original purchaser.

Warning

ICP DAS assumes no liability for damages consequent to the use of this product. ICP DAS reserves the right to change this manual at any time without notice. The information furnished by ICP DAS is believed to be accurate and reliable. However, no responsibility is assumed by ICP DAS for its use, nor for any infringements of patents or other rights of third parties resulting from its use.

Copyright

Copyright © 2011 by ICP DAS. All rights are reserved.

Trademark

Names are used for identification only and may be registered trademarks of their respective companies.

Tables of Contents

1. INTRODUCTION.....	4
1.1 FEATURES AND APPLICATIONS	6
1.1.1 Features	6
1.1.2 Applications	6
1.2 BLOCK DIAGRAM	7
1.3 SPECIFICATIONS	8
1.3.1 PEX-P8R8i.....	8
1.3.2 PISO-P16R16U/PEX-P16R16i	9
1.4 UNPACKING THE HARDWARE	10
1.5 ORDER INFORMATION	10
1.6 PCI DATA ACQUISITION FAMILY	11
1.7 PRODUCT CHECK LIST.....	12
2. HARDWARE CONFIGURATION.....	13
2.1 BOARD LAYOUT	13
2.2 JUMPER AND CARD ID SWITCH SETTINGS	15
2.2.1 AC Filter Jumpers.....	15
2.2.2 Card ID DIP-Switch (SW1)	16
2.3 RELAY OUTPUT	17
2.4 ISOLATED INPUT.....	18
2.5 DAUGHTER BOARDS.....	20
DB-37.....	20
DN-37.....	20
2.6 PIN ASSIGNMENTS.....	21
3. SOFTWARE INSTALLATION GUIDE	22
3.1 SOFTWARE INSTALLING PROCEDURE	22
3.2 PNP DRIVER INSTALLATION.....	23
3.3 CONFIRM THE SUCCESSFUL INSTALLATION.....	24
4. I/O CONTROL REGISTERS.....	25
4.1 DETERMINING THE I/O ADDRESS	25
4.2 I/O ADDRESS ASSIGNMENT	26
4.3 I/O ADDRESS MAPPING.....	28
4.3.1 RESET\ Control Register	28

4.3.2	<i>CARD ID Register</i>	29
4.3.3	<i>I/O Data Register</i>	30
5.	DOS SDK	31
5.1	PIO_PISO.EXE PROGRAM	31
5.2	ERROR CODES	32
5.3	LIB FUNCTIONS	32
5.3.1.	<i>PIO_DriverInit</i>	33
5.3.2.	<i>PIO_GetConfigAddressSpace</i>	34
5.3.3.	<i>PIO_DriverClose</i>	35
5.3.4.	<i>Show_PIO_PISO</i>	35
5.4	SAMPLE PROGRAM FOR DOS	36
5.5	DEMO PROGRAM FOR DOS	40
6.	WINDOWS SDK	41
6.1	PIO_PISO.EXE PROGRAM	42
6.2	PROGRAM ARCHITECTURE	43
6.3	ERROR CODES	44
6.4	DLL FUNCTIONS	44
6.4.1.	<i>PISODIO_DriverInit</i>	45
6.4.2.	<i>PISODIO_DriverClose</i>	45
6.4.3.	<i>PISODIO_GetConfigAddressSpace</i>	46
6.4.4.	<i>PISODIO_GetDriverVersion</i>	47
6.4.5.	<i>PISODIO_GetDllVersion</i>	47
6.4.6.	<i>PISODIO_OutputByte</i>	48
6.4.7.	<i>PISODIO_InputByte</i>	48
6.5	DEMO PROGRAMS FOR WINDOWS	49
7.	APPENDIX	50
7.1	REPORTING PROBLEMS.....	50

1. Introduction



Model Number	Isolated Digital Input	Output Type
PEX-P8R8i	8 Channels	8 Channels Relay Output
PISO-P16R16U/PEX-P16R16i	16 Channels	16 Channels Relay Output
PISO-PxRyU (ODM Only)	x Channels	y Channels Relay Output

Table 1-1: Model number and card types.

The PISO-P16R16x series are relay actuator output / isolation input interface cards for PCs and compatible computers. It provides 16 input and 16 output channels. The PISO-P16R16U can be easily installed in either a 3.3 V/5 V or 3.3 V/5 V PCI slot and support true “Plug and Play” operations.

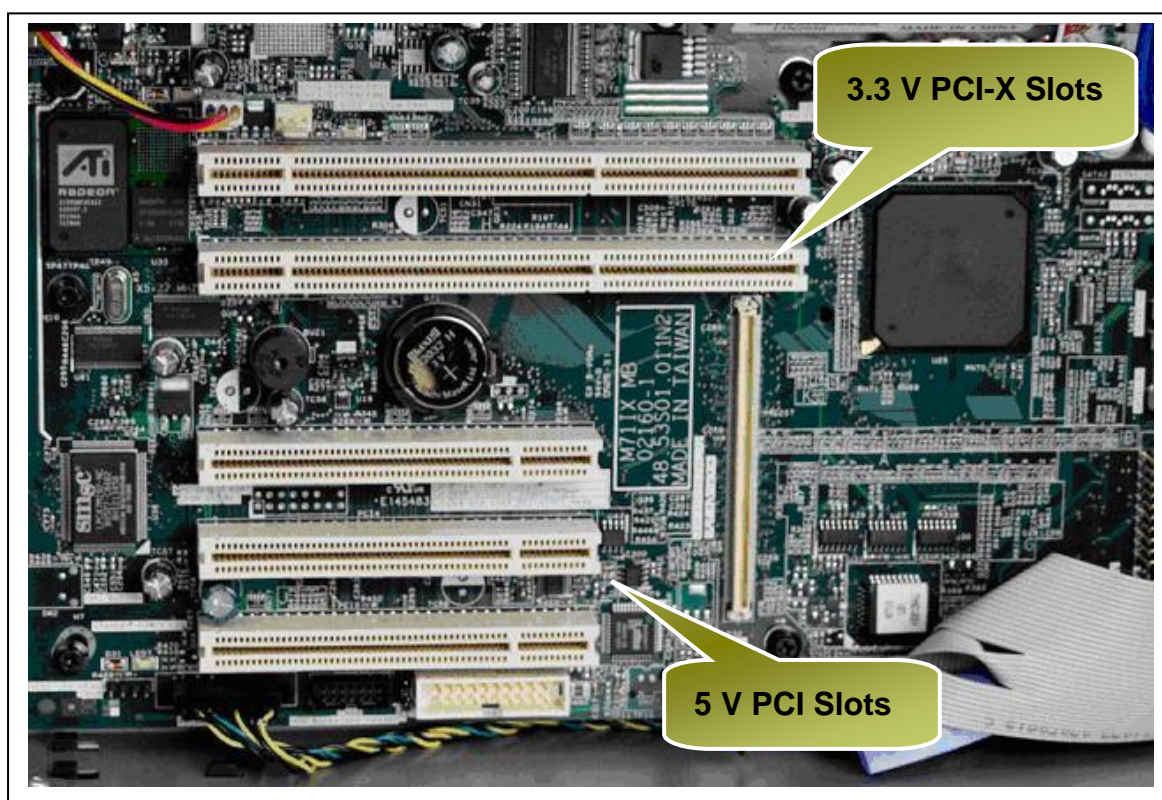


Figure 1-1: 3.3 V PCI-X slots and 5 V PCI slots.

The PEX-P16R16i/P8R8i are PCI-Express bus interface board of 16/8 channel relay output and 16/8 channel input. it can be install in PCI-Express 1X , 4X , 8X , 16X slot .

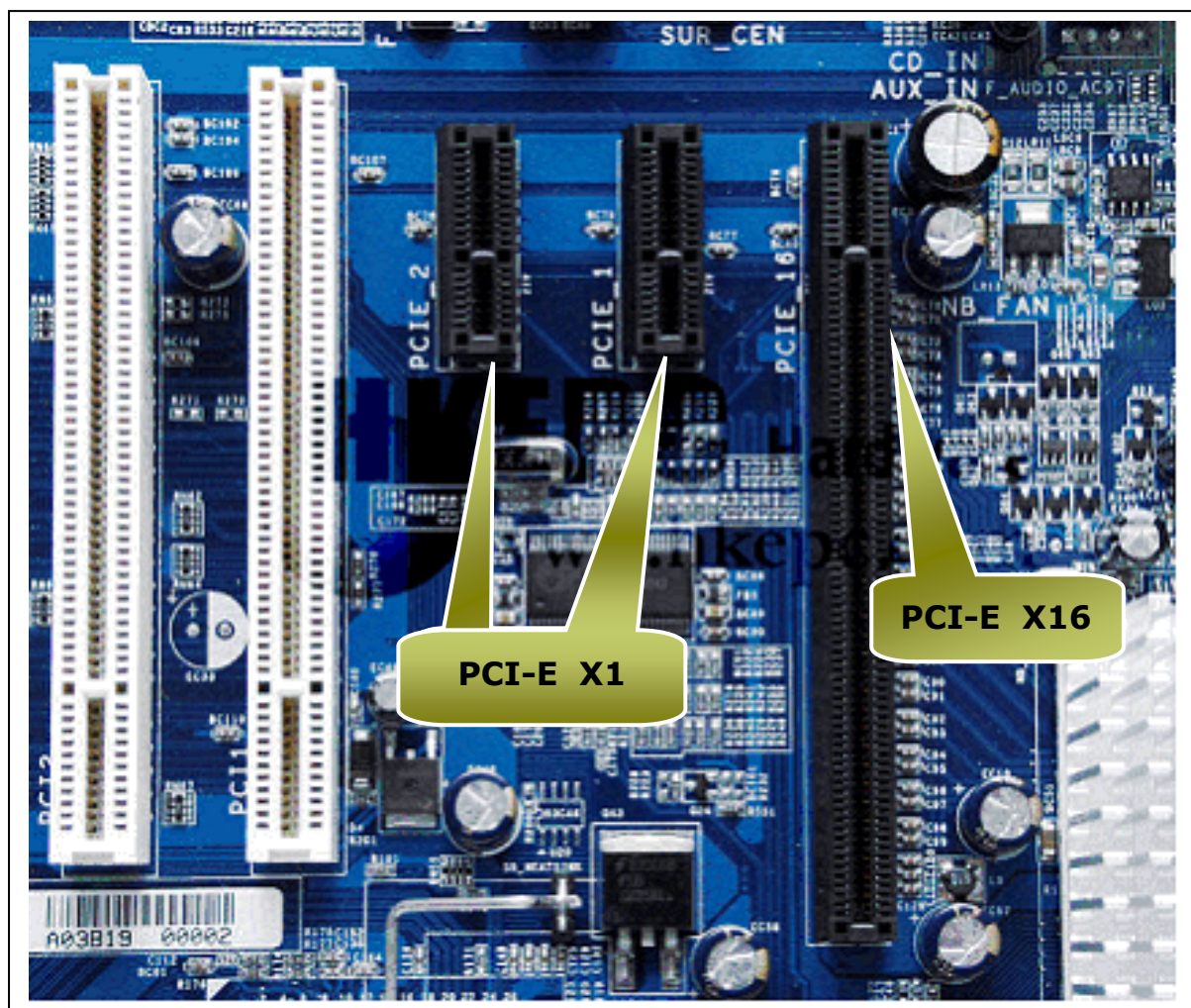


Figure 1-2: PCI-E X1 slots and PCI-E X16 slots.

1.1 Features and Applications

1.1.1 Features

Items	PEX-P8R8i	PISO-P16R16U/PEX-P16R16i
Common Features	<input type="checkbox"/> 3.3 V, 5 V or 3.3 V/5 V Universal PCI Bus add-on card for PISO-P8R8U/P16R16U <input type="checkbox"/> PCI-Express Bus add-on card for PEX-P8R8i/P16R16i <input type="checkbox"/> Optically isolated digital input <input type="checkbox"/> AC/DC digitally signed input <input type="checkbox"/> AC digital input with filter (jumper selectable)	
Input channel	8	16
Input type	Optically isolated digital input	
Output channel	8	16
Output type	Relay output	Relay output

Table 1-2: Features of the PISO-P16R16U and PEX-P8R8i/P16R16i card

1.1.2 Applications

- Factory automation
- Laboratory automation
- Communication switching
- Security control
- Product testing
- Energy management

1.2 Block Diagram

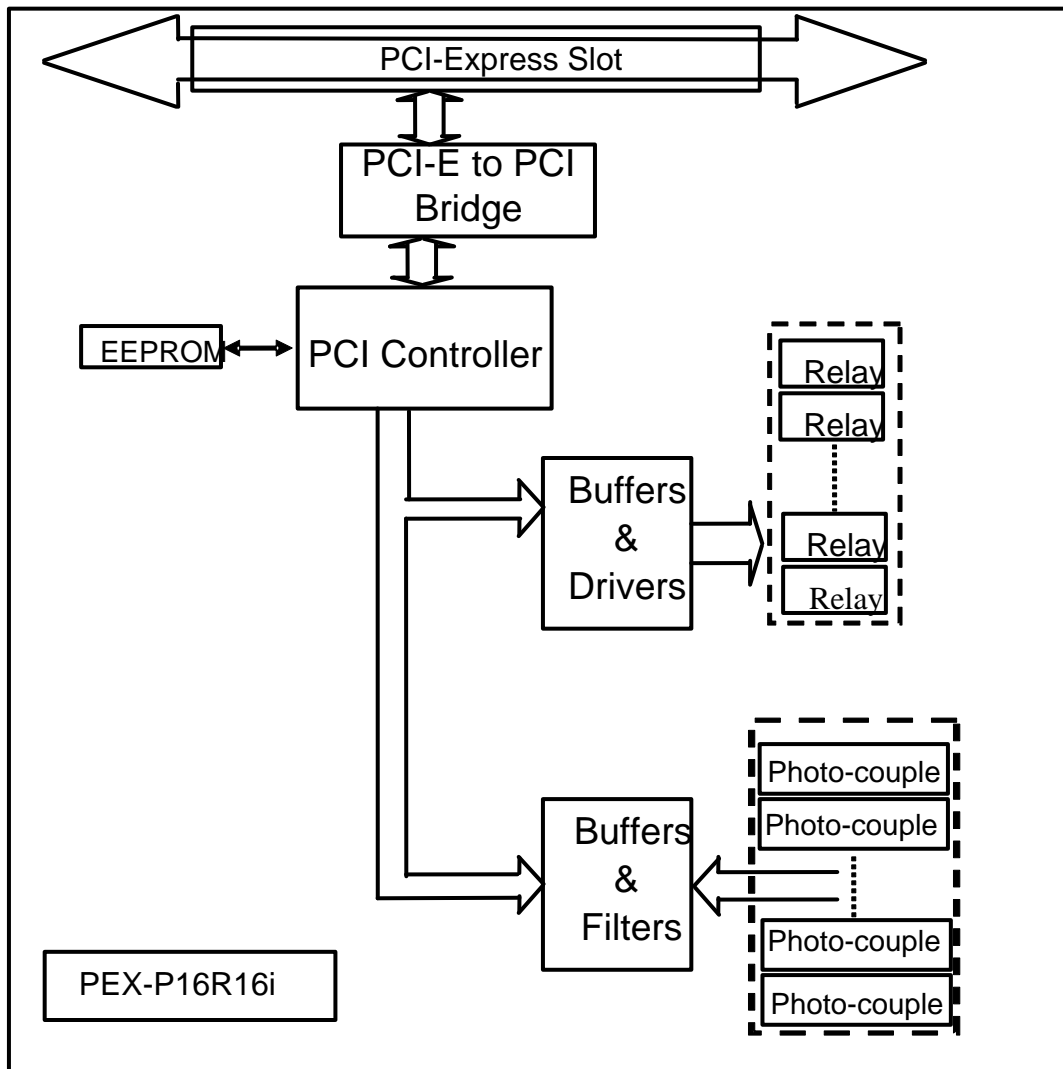


Figure 1-2-1: Function Block Diagram.

1.3 Specifications

1.3.1 PEX-P8R8i

Model Name	PEX-P8R8i
Digital Input	
Isolation Voltage	3750 Vrms (Photo-couple)
Channels	8
Compatibility	5 V/TTL
Input Voltage	Logic 1:AC/DC 5 ~ 24 V(AC 50 ~ 1 kHz) Logic 0: AC/DC 0 ~ 1 V
Response Speed	Without Filter: 50 kHz (Typical) With Filter: 0.455 kHz (Typical)
Relay Output	
Channels	8
Relay Type	4 SPDT 4 SPST
Contact Rating	AC:120 V @ 0.5 A DC: 24 V @ 1 A
Operating Time	1 ms (typical)
Release Time	7 ms (typical)
Insulation Resistance	1000 MΩ @ 500 V _{DC}
Life	Mechanical: 5000000 ops. Electrical: 100000 ops.
General	
Bus Type	PCI-Express x1
Data Bus	16-bit
Card ID	Yes(4-bit)
I/O Connector	Female DB37 x 1
Dimensions (L x W x D)	149 mm x 105 mm x 22 mm
Power Consumption	800 mA @ +5 V
Operating Temperature	0 ~ 60 °C
Storage Temperature	-20 ~ 70 °C
Humidity	5 ~ 85% RH, non-condensing

1.3.2 PISO-P16R16U/PEX-P16R16i

Model Name	PISO-P16R16U	PEX-P16R16i
Digital Input		
Isolation Voltage	3750 Vrms (Photo-couple)	
Channels	16	
Compatibility	5 V/TTL	
Input Voltage	Logic 1:AC/DC 5 ~ 24 V(AC 50 ~ 1 kHz) Logic 0: AC/DC 0 ~ 1 V	
Input Impedance	-	1.2 K Ω , 0.5 W
Response Speed	Without Filter: 50 kHz (Typical) With Filter: 0.455 kHz (Typical)	
Relay Output		
Channels	16	
Relay Type	8 SPDT 8 SPST	
Contact Rating	AC:120 V@0.5 A DC: 24 V@1 A	
Operating Time	1 ms (typical)	
Release Time	7 ms (typical)	
Insulation Resistance	1000 M Ω @ 500 V _{DC}	
Life	Mechanical: 5000000 ops. Electrical: 100000 ops.	
General		
Bus Type	3.3 V / 5 V Universal PCI, 32-bit, 33 MHz	PCI-Express x1
Data Bus	16-bit	
Card ID	Yes(4-bit)	
I/O Connector	Female DB37 x 1 40-pin box header x 1	
Dimensions (L x W x D)	149 mm x 105 mm x 22 mm	
Power Consumption	800 mA @ +5 V	
Operating Temperature	0 ~ 60 °C	
Storage Temperature	-20 ~ 70 °C	
Humidity	5 ~ 85% RH, non-condensing	

1.4 Unpacking the Hardware

This I/O card was thoroughly tested and inspected, both mechanically and electrically, before shipping. It was free of marks and scratches and our delivery quality policy requires that all equipment be in perfect condition before delivery. However, some unintentional damage may occur while unpacking. Please read this section before unpacking the card. Feel free to contact your supplier and retain your shipping carton in case there are any errors.



CAUTION: This card contains sensitive electronic components that can be easily damaged by static electricity.

1. This card should be unpacked using an anti-static mat.
2. The user should wear an anti-static wristband, grounded at the same point as the anti-static mat.
3. Inspect the carton for obvious damage. Either shipping or handling may cause damages. Be sure there is no shipping or handling damage on the card before using.
4. After opening the carton, place the system board handle on a grounded anti-static surface with the component side face up.



CAUTION: Do not apply power to the board if it has been damaged!

1.5 Order Information

- **PEX-P8R8i**
8-channel isolated digital input, 8-channel relay output board
- **PISO-P16R16U & PEX-P16R16i**
16-channel isolated digital input, 16-channel relay output board

Options

- **DN-37:** I/O connector block with DIN-Rail mounting and 37-pin D-type connector
- **DB-37:** 37-pin D-type connector pin-to-pin screw terminal for any 37-pin D-type I/O board connector

1.6 PCI Data Acquisition Family

ICP DAS provides a family of PCI-Bus data acquisition cards. These cards can be divided into three groups as follows:

1. PCI-series: first generation, isolated or non-isolated cards

PCI-1002/1202/1800/1802/1602: multi-function family, non-isolated

PCI-P16R16/P16C16/P16POR16/P8R8: D/I/O family, isolated

PCI-TMC12A: timer/counter card, non-isolated

2. PIO-series: cost-effective generation, non-isolated cards

PIO-821: multi-function family

PIO-D168/D144/D96/D64/D56/D48/D24: D/I/O family

PIO-DA16/DA8/DA4: D/A family

3. PISO-series: cost-effective generation, isolated cards

PISO-813: A/D card

PISO-P32C32/P32S32WU/P64/C64: D/I/O family

PISO-P8R8/P8SSR8AC/P8SSR8DC/P16R16U/PEX-P16R16i: D/I/O family

PISO-730: D/I/O card

PISO-DA2: D/A card

1.7 Product Check List

The shipping package includes the following items:

- One PCI boards as follows:
 - PISO-P16R16U
 - PEX-P8P8i
 - PEX-P16P16i
- One software utility PCI CD.
- One Quick Start Guide.

It is recommended that you read the Quick Start Guide first. All the necessary and essential information is given in the Quick Start Guide, including:

- Where to get the software driver, demo programs and other resources.
- How to install the software.
- How to test the card.

Attention!

If any of these items is missing or damaged, contact the dealer from whom you purchased the product. Please save the shipping materials and carton in case you need to ship or store the product in the future.

2. Hardware Configuration

2.1 Board Layout

■ PISO-P16R16U board layout

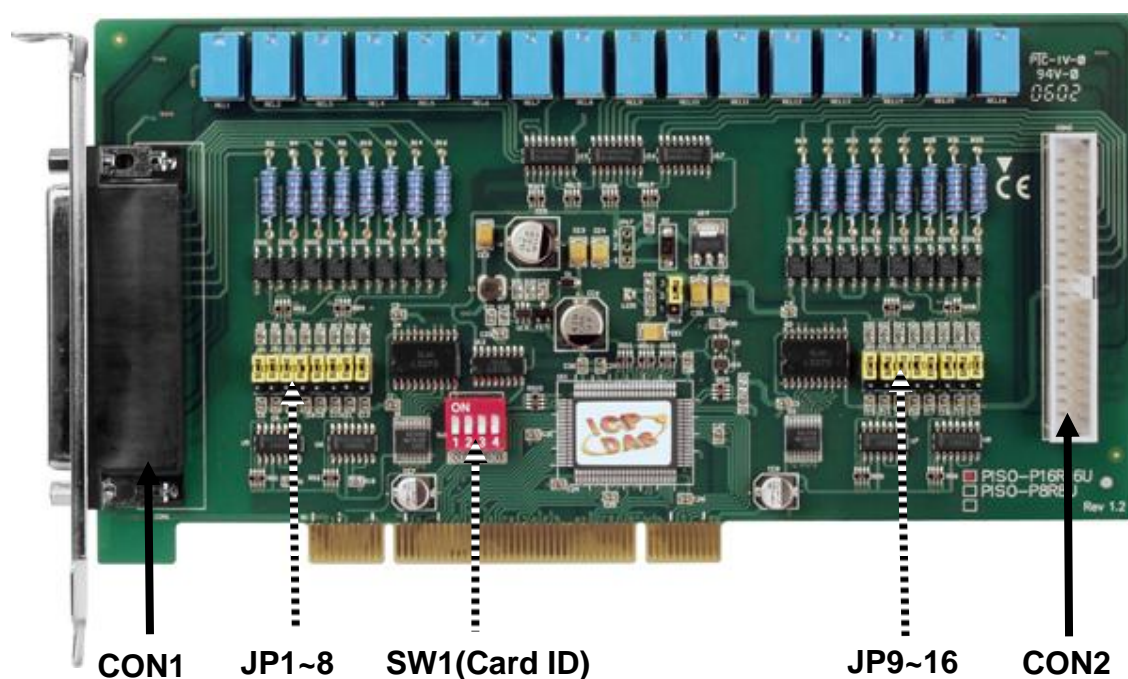


Figure 2-1-1: PISO-P16R16U Board layout and components.

Item	Description
CON1	I/O connector
CON2	I/O connector (P16R16U only)
JP1 ~ 8	Filter jumpers
JP9 ~ 16	Filter jumpers (P16R16U only)
SW1	Card ID switch

Table 2-1-1: Components and descriptions.

■ PEX-P16R16i board layout

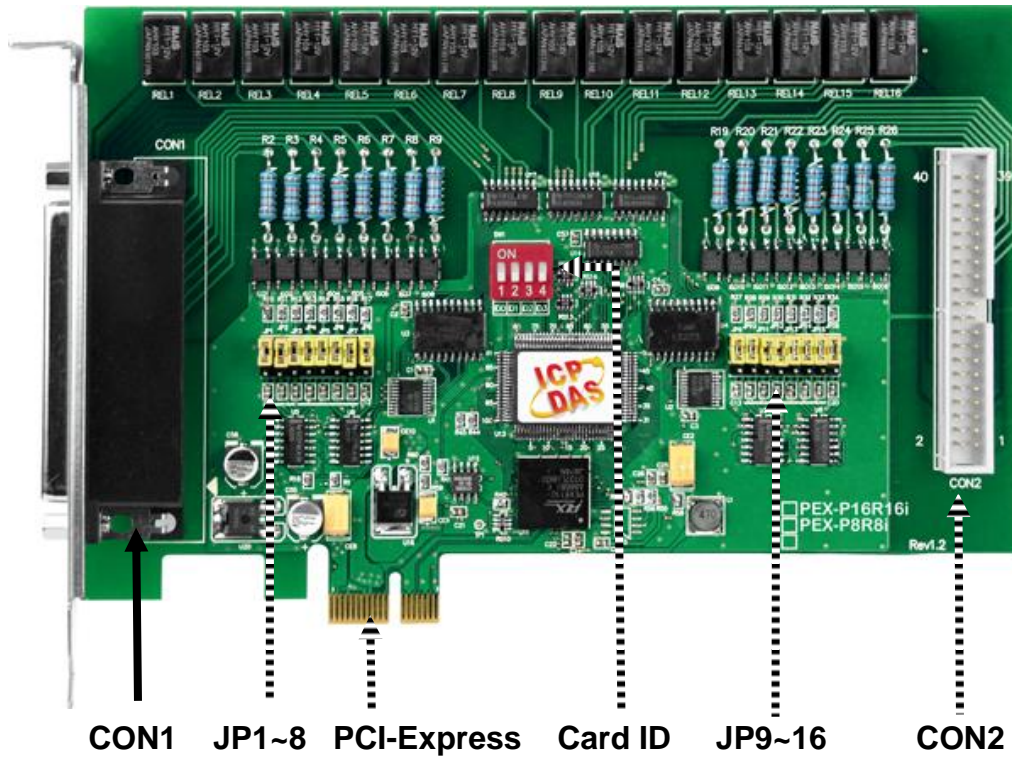


Figure 2-1-2: PEX-P16R16i Board layout and components.

Item	Description
CON1	I/O connector
CON2	I/O connector (P16R16i only)
JP1 ~ 8	Filter jumpers
JP9 ~ 16	Filter jumpers (P16R16i only)
SW1	Card ID switch

Table 2-1-2: Components and descriptions.

2.2 Jumper and Card ID Switch Settings

2.2.1 AC Filter Jumpers

Simply setting the jumpers on the board can change the I/O card configuration. Each digital input channel can be jumper-configured as a single-pole, AC filter with a time constant of 1.2 ms. The table below lists each digital input channel and the corresponding jumper.

Jumper	Channel	Jumper	Channel
JP1	DI0	JP9	DI8
JP2	DI1	JP10	DI9
JP3	DI2	JP11	DI10
JP4	DI3	JP12	DI11
JP5	DI4	JP13	DI12
JP6	DI5	JP14	DI13
JP7	DI6	JP15	DI14
JP8	DI7	JP16	DI15

Table 2-2: Jumper assignments.

The figure below shows how to select the digital input type:

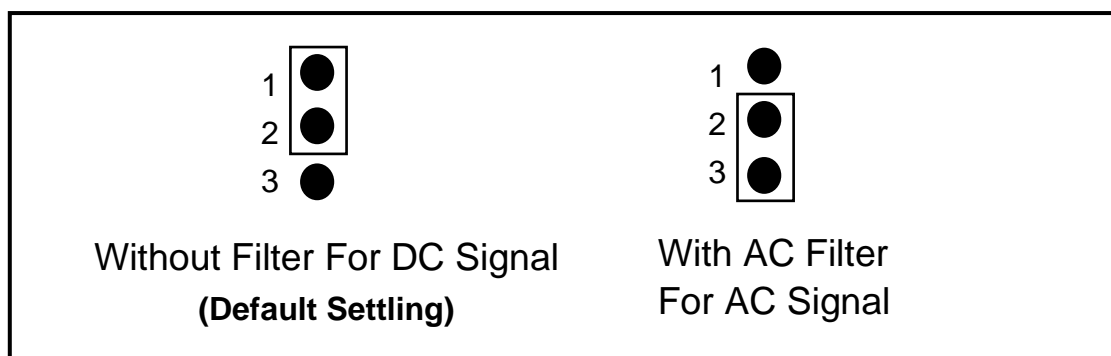
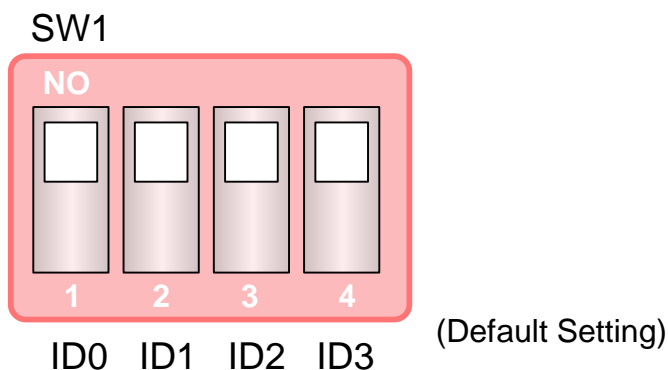


Figure 2-2: Jumper Settings.

If AC input signals are used, the AC FILTER must be set by shorting pins 2-3 of the corresponding jumpers. If DC input signals are used, the AC FILTER is optional. If the DC input signal response is less than 20 μ s, set the filter to OFF. If a slow response is required (about 5 to 10 ms) in order to reject either noise or contact bouncing, short the AC FILTER (Pins 2-3).

2.2.2 Card ID DIP-Switch (SW1)

The PISO-P16R16U and PEX-P16R16i/P8R8i also adds a Card ID switch on-board. Users can set Card ID and then recognizes the board by the ID via software when using two or more PISO-P16R16U and PEX-P16R16i/P8R8i cards in one computer.



Card ID	1 ID0	2 ID1	3 ID2	4 ID3
(*) 0	ON	ON	ON	ON
1	OFF	ON	ON	ON
2	ON	OFF	ON	ON
3	OFF	OFF	ON	ON
4	ON	ON	OFF	ON
5	OFF	ON	OFF	ON
6	ON	OFF	OFF	ON
7	OFF	OFF	OFF	ON
8	OFF	OFF	OFF	ON
9	OFF	ON	ON	OFF
10	ON	OFF	ON	OFF
11	OFF	OFF	ON	OFF
12	ON	ON	OFF	OFF
13	OFF	ON	OFF	OFF
14	ON	OFF	OFF	OFF
15	OFF	OFF	OFF	OFF

(*) Default setting

2.3 Relay Output

Whenever data is written to the output control register, the relays will switch to either NO (Normally Open) or NC (Normally Closed) status as specified by the control code. A “1” in the control register causes the corresponding relay in an energized state and shorts the COM (Common) to NO contact; while a “0” in the control register turns off the corresponding relay and shorts the COM to NC contact.

When the power is first switched on or a reset signal from hardware or software is occurred, the control register is 0 and all relays short to NC contact. The following figures show how to use the relay.

Basic Circuitry: (Current Rating < 0.3 A):

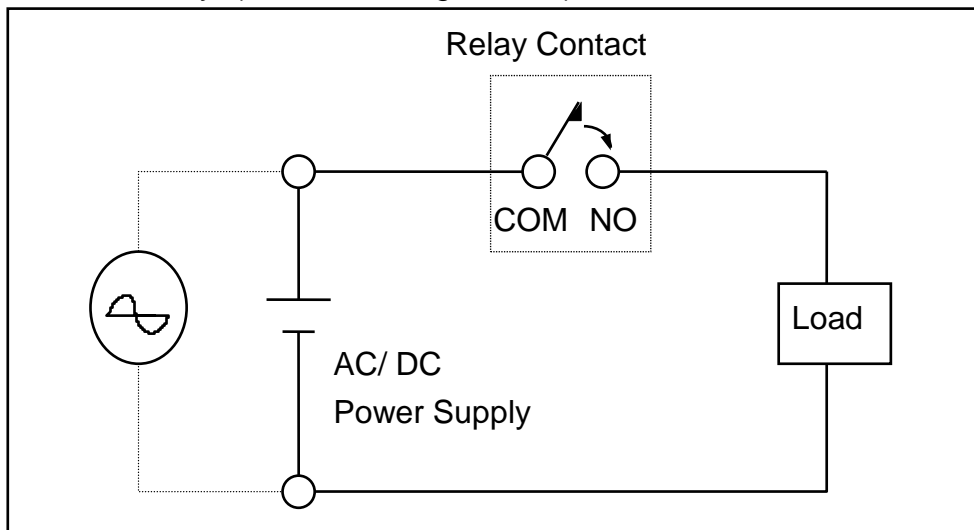


Figure 2-3: Basic relay circuit.

Heavy Loading Application (> 0.3 A):

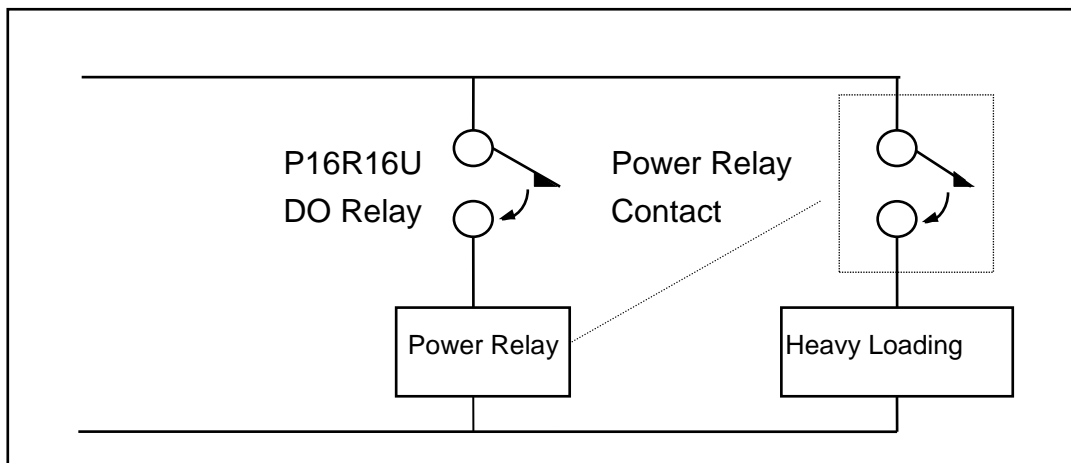


Figure 2-4. Heavy load relay circuit.

2.4 Isolated Input

Reading the isolation input register will identify the digital input state of the photocoupler (isolation input). Figures 2-3 and 2-4 show the basic circuit of the digital input.

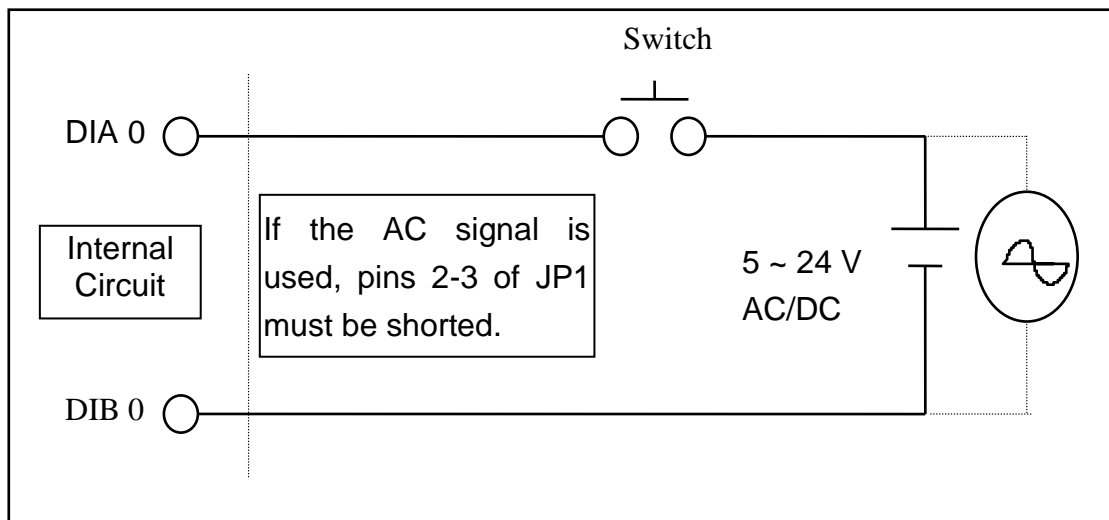


Figure 2-5: Basic Digital Input Circuit.

Although the normal input voltage range is 5 to 24 V AC or DC, the input can still be increased to a larger range by choosing suitable external resistors. The following figure shows how to connect to a larger input. Please note that the input current should be limited to between 2 mA to 20 mA; too large input current will burn out the internal resistor R_i , while an input current that is too low will not activate the photocoupler isolator. Calculate the input voltage and current, and then replace the resistor R_i .

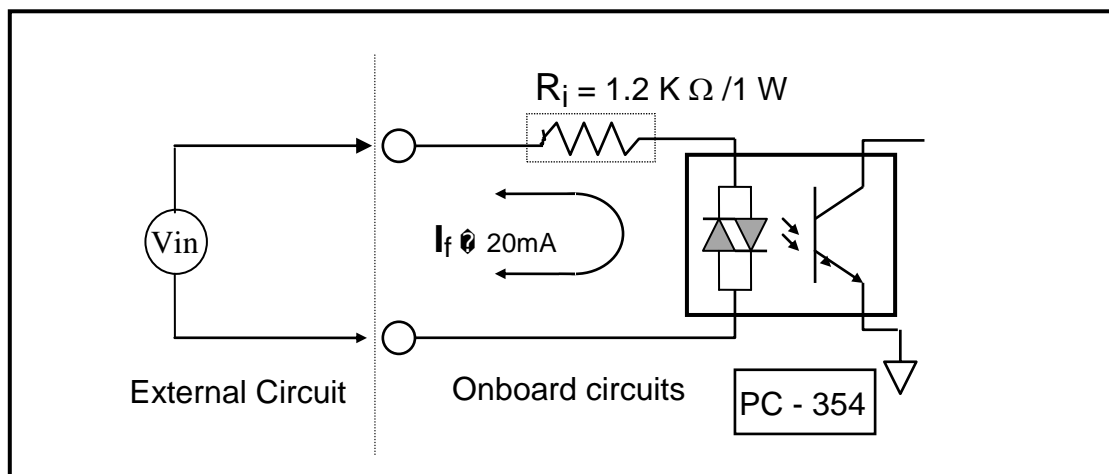


Figure 2-6: Isolated Digital Input Circuit

$$I_f = 2 \text{ mA} \sim 20 \text{ mA}$$

As a rough estimate:

If $V_{in} = 120\text{ V}$ and the photo-coupler turn-on voltage is ignored,
the result is:

$$V_{in} / I_f = R_i$$

$$V_{in} = 120(\text{V}), I_f = 10(\text{mA}), R_i = V_{in} / I_f$$

$$120(\text{V}) / 0.01 (\text{A}) = 12000 (\Omega)$$

If the resistor R_i is replaced as $1.2\text{ K}\Omega$, the power consumption of R_i can be calculated as follows:

$$P = I_f^2 R_{ex} = (10\text{ mA})^2 * 1.2\text{K}\Omega = 1.2\text{ W}$$

The power consumption is 1.2 Watts, but selecting 1.5 or 2 Watts is better.
Thus, a 1.2 K / 2 W resistor can be selected to replace the resistor R_i .

2.5 Daughter Boards

DB-37

Direct connection board

- 37-pin D-type connector pin-to-pin screw terminal for any 37-pin D-type I/O board connector

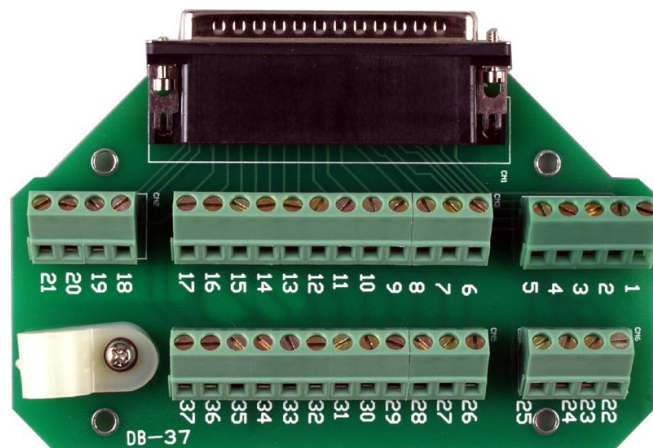


Figure 2-7: DB-37.

DN-37

I/O connector block with DIN-Rail mounting

- Two 37-pin D-type connectors (one for an extension)
- Pin-to-pin screw terminal for the I/O connector

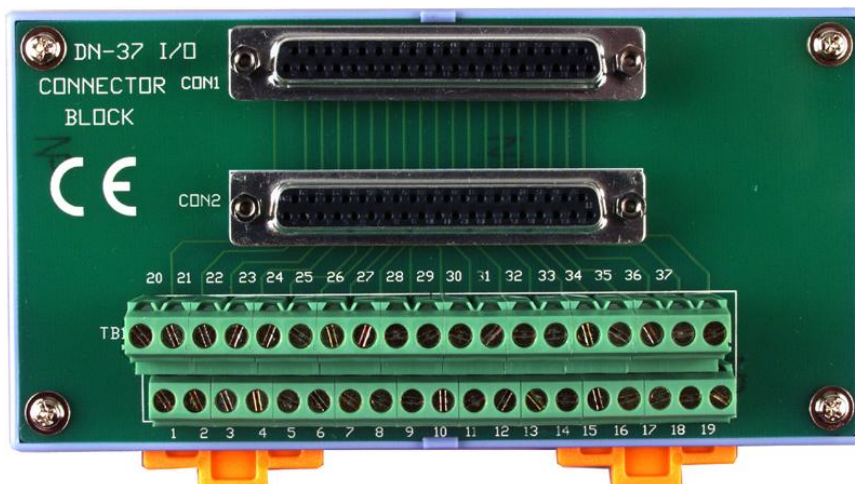


Figure 2-8: DN-37.

2.6 Pin Assignments

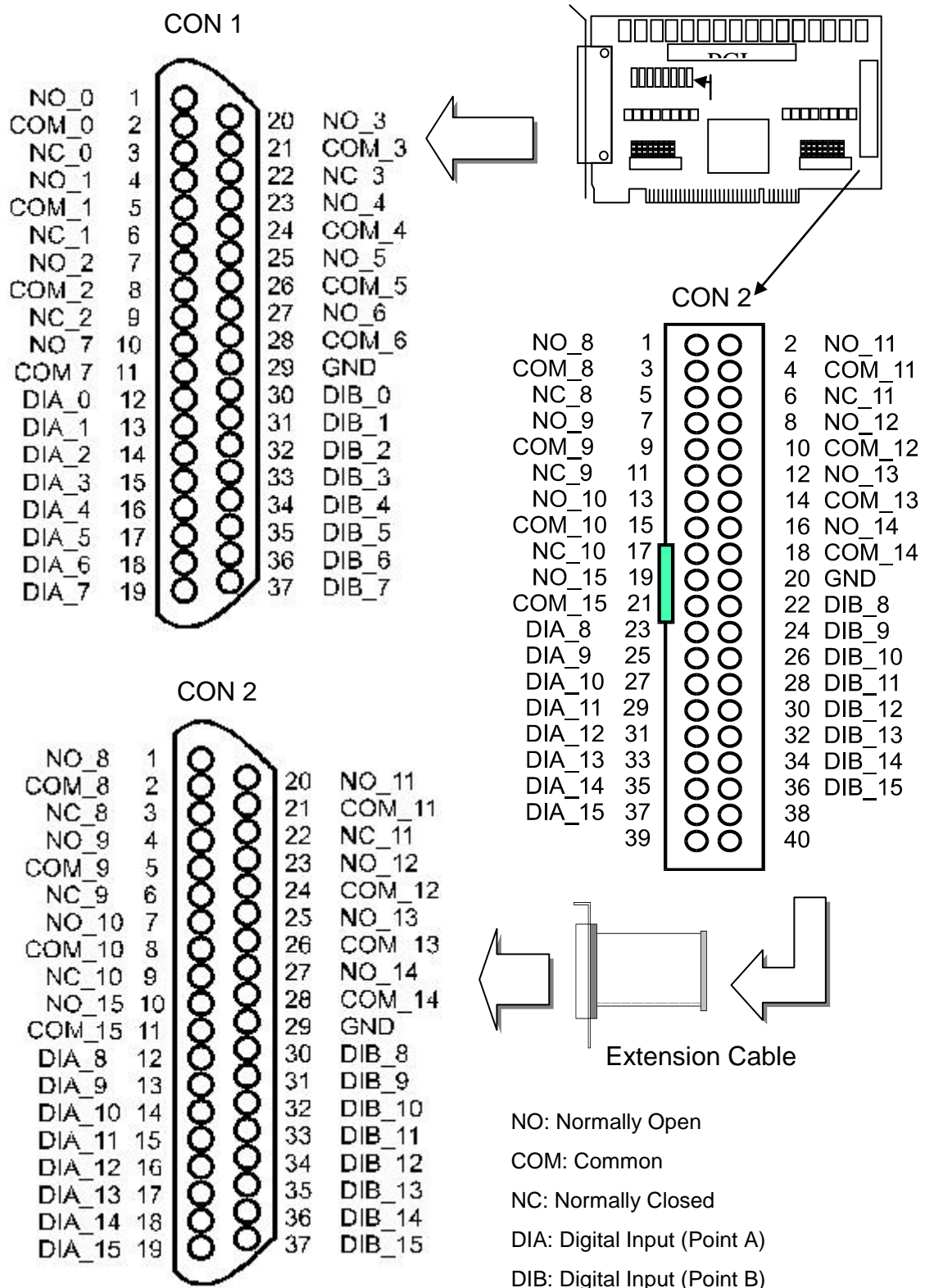


Figure 2-9: Pin assignments.

3. Software Installation Guide

The PISO-P16P16U and PEX-P8R8i/ P16R16i series can be used in DOS and Windows 98/NT/2K and 32-bit/64-bit Windows XP/2003/Vista/7. The recommended installation procedure for windows is given in Sec. 3.1 ~ 3.2. Or refer to Quick Start Guide (CD:\NAPDOS\PCI\PISO-DIO\ Manual\QuickStart\).

<http://ftp.icpdas.com/pub/cd/iocard/pci/napdos/pci/piso-dio/manual/quickstart/>

3.1 Software Installing Procedure

- UniDAQ SDK driver (32-bit/64-bit Windows XP/2003/Vista/7):

Step 1: Insert the companion CD into the CD-ROM drive and after a few seconds the installation program should start automatically. If it doesn't start automatically for some reason, double-click the **AUTO32.EXE** file in the **NAPDOS** folder on this CD.

Step 2: Click the item: "**PCI Bus DAQ Card**".

Step 3: Click the item: "**UniDAQ**".

Step 4: Click the item: "**DLL for Windows 2000 and XP/2003/Vista 32-bit**".

Step 5: Double-Click "**UniDAQ_Win_Setup_x.x.x.x_xxxx.exe**" file in the **Driver** folder.

- Windows driver (Windows 98/NT/2K and 32-bit Windows XP/2003/Vista/7):

Step 1: Insert the companion CD into the CD-ROM drive and after a few seconds the installation program should start automatically. If it doesn't start automatically for some reason, double-click the **AUTO32.EXE** file in the **NAPDOS** folder on this CD.

Step 2: Click the item: "**PCI Bus DAQ Card**".

Step 3: Click the item: "**PISO-DIO**".

Step 4: Click the item "**DLL and OCX for Windows 98/NT/2K/XP/2003**".

Step 5: Choose the Win2K_XP, Win98 or WinNT folders for setup according to your PC platform and then double-Click "**.exe**" to install driver.

The setup program will then start the driver installation and copy the relevant files to the specified directory and register the driver on your computer. The directory where the drive is stoned is different for different windows versions, as shown below.

■ **Windows 64-bit Windows XP/2003/Vista/7:**

The UniDAQ.DLL file will be copied into the C:\WINNT\SYSTEM32 folder
The NAPWNT.SYS and UniDAQ.SYS files will be copied into the C:\WINNT\SYSTEM32\DRIVERS folder



For more detailed UniDAQ.DLL function information, please refer to UniDAQ SDK user manual (CD:\NAPDOS\PCI\UniDAQ\Manual\).
<http://ftp.icpdas.com/pub/cd/iocard/pci/napdos/pci/unidaq/maunal/>

■ **Windows NT/2K and 32-bit Windows XP/2003/Vista/7:**

The PISODIO.DLL file will be copied into the C:\WINNT\SYSTEM32 folder
The NAPWNT.SYS and PISO.SYS files will be copied into the C:\WINNT\SYSTEM32\DRIVERS folder

■ **Windows 95/98/ME:**

The PISODIO.DLL and PISODIO.Vxd files will be copied into the C:\Windows\SYSTEM folder



For more detailed PISODIO.DLL function information, please refer to PISO-DIO_Win32_SDK_Manual.pdf(CD:\NAPDOS\PCI\PISO-DIO\Manual\).
<http://ftp.icpdas.com/pub/cd/iocard/pci/napdos/pci/piso-dio/manual/>

3.2 PnP Driver Installation

Power off the computer and install the PISO-P16R16U and PEX-P8R8i/P16R16i cards. Turn on the computer and Windows 98/ME/2K and 32-bit/64-bit Windows XP/2003/Vista/7 should automatically detect the new PCI device(s) and then ask for the location of the driver files for the hardware. If a problem is encountered during installation, refer to the PnPinstall.pdf file for more information.

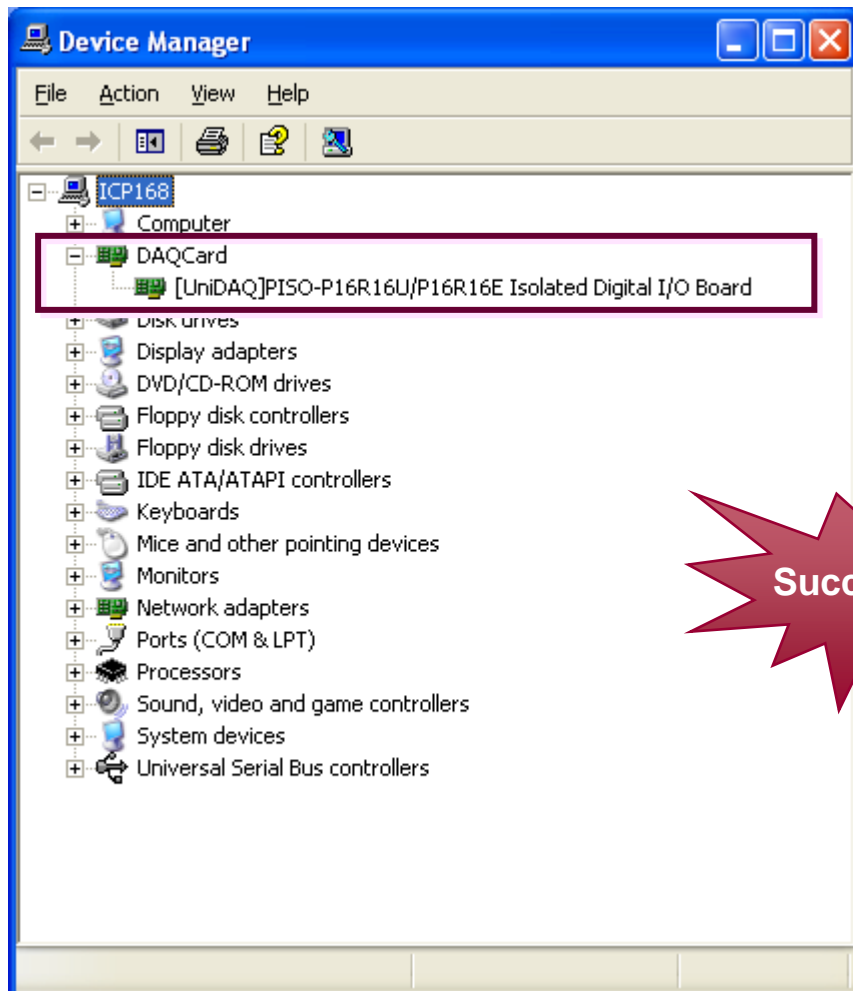
3.3 Confirm the Successful Installation

Make sure the PISO-P16R16U and PEX-P8R8i/P16R16i card installed are correct on the computer as follows:

Step 1: Select “**Start**” → “**Control Panel**” and then double click the “**System**” icon on Windows.

Step 2: Click the “**Hardware**” tab and then click the “**Device Manager**” button.

Step 3: Check the PISO-P16R16U and PEX-P8R8i/P16R16i card which listed correctly or not, as illustrated below.



4. I/O Control Registers



4.1 Determining The I/O Address

The plug & play BIOS will assign the proper I/O address to each PCI device in the system during the boot up process. The fixed IDs of the PISO-P16R16U card are as follows:

Model Name	PISO-P16R16U PEX-P16R16i PEX-P8R8i
Vendor ID	0xE159
Device ID	0x0001
Sub Vendor ID	0x1800
Sub Device ID	0x0000
Sub-Aux ID	0xFF (Don't care)

ICP DAS provides all necessary functions for identifying and accessing this card. Please refer to [Chapters 5](#) and [Chapter 6](#) for more information regarding the SDK (Software Development Kit). The driver information is as follows:

1. Resource-allocated information:

- wBase: BASE address mapping for this PC
- wlrq: IRQ channel number allocated for this PC

2. PIO/PISO identification information:

- wSubVendor: Sub-Vendor ID of this board
- wSubDevice: Sub-Device ID of this board
- wSubAux: Sub-Aux ID of this board

3. PC's physical slot information for the PC:

- wSlotBus: The position of hardware slot ID1 in this PC
- wSlotDevice: The position of hardware slot ID2 in this PC

The PIO_PISO.exe utility program will detect and display the details for all PIO/PISO cards installed in the PC. Refer to [Chapter 5](#) and [Chapter 6](#) for more information.

4.2 I/O Address Assignment

The plug & play BIOS will assign a proper I/O address to each PCI device. If there is only one PIO/PISO board, the board can be identified as card-0. If there are two or more PIO/PISO boards in the system, it is very difficult to identify which board is card-0? The software driver can support a maximum of 16 boards. Therefore, it is possible to install 16 PIO/PISO series boards in a single PC system. The following describes the method for identifying card-0 and card-1.

It is difficult to identify the card number. The simplest way to identify which card is card-0 is to use the wSlotBus and wSlotDevice functions as follows:

Step 1: Remove all PIO and PISO series cards from the PC.

Step 2: Install a single PISO-P8R8U/P16R16U or PEX-P8R8i/P16R16i into PCI_slot1 of the PC, then run PIO_PISO.EXE and record the wSlotBus1 and wSlotDevice1 information.

Step 3: Remove all PIO and PISO series cards from the PC.

Step 4: Install a single PISO-P8R8U/P16R16U or PEX-P8R8i/P16R16i into PCI_slot2 of the PC, then run PIO_PISO.EXE & record the wSlotBus2 and wSlotDevice2 information.

Step 5: Repeat steps 3 and 4 for all PCI slots, and record all wSlotBus and wSlotDevice information.

An example of the records may be as follows:

PCI slot	wSlotBus	wSlotDevice
Slot_1	0	0x07
Slot_2	0	0x08
Slot_3	0	0x09
Slot_4	0	0x0A
PCI-BRIDGE		
Slot_5	1	0x0A
Slot_6	1	0x08
Slot_7	1	0x09
Slot_8	1	0x07

The above procedure will allow all wSlotBus and wSlotDevice information in the PC to be recorded. These values will be mapped to the physical slots on the PC, and the **mapping will not be changed for any PIO/PISO cards**. Therefore, the information can be used to identify the specific PIO/PISO cards as follows:

Step 1: Record all wSlotBus and wSlotDevice information.

Step 2: Use the PIO_GetConfigAddressSpace(...) function to retrieve the wSlotBus and wSlotDevice information of specific cards.

Step 3: Comparing the wSlotBus and wSlotDevice information obtained in Step 1 and 2 can identify the specific PIO/PISO cards.

4.3 I/O Address Mapping

The I/O address for PIO/PISO series cards is automatically assigned by the ROM BIOS of the main board. The I/O address can also be re-assigned by user. **It is strongly recommended that users don't change the I/O address. The Plug & Play BIOS will assign the proper I/O address to each PIO/PISO series card.** The detailed I/O register address mapping for the PISO-P16R16U and PEX-P8R8i/P16R16i card is as follows:

Address	Read	Write
wBase+0	-	RESET\
WBase+7	Card ID (Bit 5 ~2)	-
wBase+0xC0	DI0~DI7	DO0~DO7
wBase+0xC4	DI8~DI15	DO8~DO15

Note. Refer to Sec. 4.1 for more information regarding wBase.

4.3.1 RESET\ Control Register

(Read/Write): wBase+0

Bit 7	Bit 6	Bit 5	Bit 4	Bit 3	Bit 2	Bit 1	Bit 0
-	-	-	-	-	-	-	RESET\

Note. Refer to Sec. 4.1 for more information regarding wBase.

When the PC is first switched on, the RESET\ signal is in a Low state, **it will disable all D/I and D/O operations.** The RESET\ signal must be set to the High state before any D/I and D/O commands are sent.

```
outportb(wBase,1); /* RESET\ = High → all DI/DO channels are now enabled */  
outportb(wBase,0); /* RESET\ = Low → all DI/DO channels are now disabled*/
```

4.3.2 CARD ID Register

(Read): wBase+7

Bit 7	Bit 6	Bit 5	Bit 4	Bit 3	Bit 2	Bit 1	Bit 0
-	-	ID3	ID2	ID1	ID0	-	-

Note. Refer to Sec. 4.1 for more information regarding wBase.

The Card ID is designed to enable easy identification between several PCI cards that have the same model number.



Note: The Card ID is **NOT** the same as the Board Number.

The Board Number depends on the bus number, slot number and total number of boards in the computer, and may be changed when another card is added in another PCI slot. In this case, it may be difficult to know which card is being used to control which device.

The Card ID can be set using the SW1 dip switch, so it is easy to set the correct connections between cards and devices. So, by reading the Card ID users can check whether their program is accessing the correct card.

```
Card_ID = 0x0F & (~(intportb(wBase+7) >> 2));    /* get Card ID */
```

4.3.3 I/O Data Register

Digital Input

(Read): wBase+0xC0

Bit 7	Bit 6	Bit 5	Bit 4	Bit 3	Bit 2	Bit 1	Bit 0
DI7	DI6	DI5	DI4	DI3	DI2	DI1	DI0

(Read): wBase+0xC4

Bit 7	Bit 6	Bit 5	Bit 4	Bit 3	Bit 2	Bit 1	Bit 0
DI15	DI14	DI13	DI12	DI11	DI10	DI9	DI8

Digital Output

(Write): wBase+0xC0

Bit 7	Bit 6	Bit 5	Bit 4	Bit 3	Bit 2	Bit 1	Bit 0
DO7	DO6	DO5	DO4	DO3	DO2	DO1	DO0

(Write): wBase+0xC4

Bit 7	Bit 6	Bit 5	Bit 4	Bit 3	Bit 2	Bit 1	Bit 0
DO15	DO14	DO13	DO12	DO11	DO10	DO9	DO8

Note. Refer to Sec. 3.1 for more information regarding wBase.

```
outportb(wBase+0xc0,0xff);          /* write 0xff to DO0~DO7 */
DI_Value=inportb(wBase+0xc0);      /* read states from DI0~DI7 */
```

5. DOS SDK

Please read the release notes to determine the location of the DOS SDK on the included CD (or floppy disk), then run the “install.bat” batch file, under the DOS SDK folder, to copy the software onto your hard disk.



Note: The DOS SDK has read-only file attribute if they are stored on CD. After installing/coping the software, users have to remove the read-only attribute before any modification, compiling or linking with these sample program files. Please use the following command to change it:

```
Attrib -R *.* /S /D
```

The source code of TC/BC and MSC sample programs are included in DOS SDK.



Note: The PIO.Lib (for DOS) library file is available for all PIO and PISO series cards, but there are different versions for TC, BC and MSC. Ensure that the correct version is used.

5.1 PIO_PISO.EXE Program

The PIO_PISO.exe diagnostic program can be used to identify all PIO/PISO series cards currently installed in the PC, and can be useful to check whether the cards are correctly installed in the PCI slot.

```
*** PIO_PISO.EXE Rev. 2.32, Dec.23, 2005 ***
```

```
There are 2 PIO_PISO Cards(s) in this PC, RetVal:0
```

```
-----  
Card_0: wBase=e800,wlrq=5,subID=[c080,1,40],SlotID=[0,d] --> PIO-D24/D56
```

```
Card_1: wBase=ec00,wlrq=b,subID=[1800,0,30],SlotID=[0,f] --> PISO-P16R16U
```

The diagnostic program also shows the following information:

1. The model number of each card.
2. The I/O address and IRQ number of each card.
3. The bus and slot numbers of each card.

5.2 Error Codes

There are several error codes that may be returned when using function calls listed below. A description of each error code is as follows:

Code	Description
0	No error found.
3	The specified hardware ID cannot be found. To resolve this error, either A. Ensure that the Sub-Vendor, Sub-Device and Sub-Aux ID values are all correct. B. Try using a different PCI slot. C. Ensure that the 3.3 V/5 V jumper setting is correct.
5	The specified board number is incorrect. The board number must be between 0 and Total Boards –1.
6	Refer to error code 3.

5.3 Lib Functions

All Lib functions and descriptions are listed in the following sections. In this chapter, keywords are used to indicate the attributes of each parameter.

Keyword	Description
[Input]	The parameter must be initialized, or have a value set before calling this function.
[Output]	The parameter will return a value or other data after this function is called.



Note: All parameter spaces/buffers must be allocated and then freed by the user application programs.

5.3.1. PIO_DriverInit

This function detects all PIO and PISO series cards that are installed in the system and saves the related resource information in the library. It must only be called once before calling any other Lib functions.

To determine the number of PISO-P16R16U/PEX-P16R16i cards:

```
wRtn = PIO_DriverInit(&wTotalBoardsFound, 0x1800, 0x00, 0xFF);
```

To identify all PIO and PISO series cards:

```
wRtn = PIO_DriverInit(&wTotalBoardsFound, 0xFF, 0xFF, 0xFF);
```

■ Syntax:

```
WORD PIO_DriverInit(WORD *wBoards, DWORD wSubVendorID,  
WORD wSubDeviceID, BYTE wSubAuxID);
```

■ Parameters:

wBoards	[Output]	The Number of boards found.
wSubVendorID	[Input]	The Sub-Vendor ID of the board.
wSubDeviceID	[Input]	The Sub-Device ID of the board.
wSubAuxID	[Input]	The Sub-Aux ID of the board.

■ Return:

Refer to the error codes in [Section 5.2](#) for more information.

5.3.2. PIO_GetConfigAddressSpace

This function returns the base (I/O) address and information for the specified PIO/PISO card, which can then be used to access/control each PIO/PISO card.

■ Syntax:

```
WORD PIO_GetConfigAddressSpace(WORD wBoardNo,  
                                WORD *wBase,    WORD *wIrq,  
                                WORD *wSubVendor, WORD *wSubDevice, WORD *wSubAux,  
                                WORD *wSlotBus,  WORD *wSlotDevice);
```

■ Parameters:

wBoardNo	[Input]	The Board number starting from 0.
wBase	[Output]	The base address of the board.
wIrq	[Output]	The IRQ number allocated to the board.
wSubVendor	[Output]	The Sub-Vendor ID of the board.
wSubDevice	[Output]	The Sub-Device ID of the board.
wSubAux	[Output]	The Sub-Aux ID of the board.
wSlotBus	[Output]	The Bus Number of the slot.
wSlotDevice	[Output]	The Device Number of the slot.

■ Return:

Refer to the error codes in [Section 5.2](#) for more information.

5.3.3. PIO_DriverClose

This function frees all resources that were allocated in the library. It must only be called once and must be called before exiting the user application program.

■ **Syntax:**

```
WORD PIO_DriverClose(void);
```

■ **Parameters:**

None

■ **Return:**

Refer to the error codes in [Section 5.2](#) for more information.

5.3.4. Show_PIO_PISO

This function displays a text string for a specified PIO/PISO ID, and is the same as that defined in the PIO.H header file.

■ **Syntax:**

```
WORD Show_PIO_PISO(DWORD wSubVendorID, WORD wSubDevice,  
WORD wSubAux);
```

■ **Parameters:**

wSubVendor	[Input]	The Sub-Vendor ID of the board.
wSubDevice	[Input]	The Sub-Device ID of the board.
wSubAux	[Input]	The Sub-Aux ID of the board.

■ **Return:**

Refer to the error codes in [Section 5.2](#) for more information.

5.4 Sample Program for DOS

```
#include "PIO.H"

WORD wCardAddress, wTotalBoardsFound;

int SelectBoard(WORD wBoardNo);
DWORD TestDIO(WORD wCardAddress);
DWORD iCounts, iErrors;

int main()
{
    WORD wRtn, wIrqNo;
    WORD wSubVendor, wSubDevice, wSubAux, wSlotBus, wSlotDevice;
    char c;
    WORD i;

    clrscr();

    /***** Initialize Driver for PISO-P16R16U *****/
    wRtn = PIO_DriverInit(&wTotalBoardsFound, 0x1800,0x0,0xFF);
    if ( wTotalBoardsFound == 0 || wRtn != 0 )
    {
        printf("Driver initialization error! Error Code=%d\n", (int) wRtn);
        return 1;
    }
    printf("\nThere are %d PISO-P16R16U Card(s) in this PC",wTotalBoardsFound);

    /***** Get Card Information (I/O Address) *****/
    printf("\n\n----- The Configuration Space -----");
    for(i=0; i<wTotalBoardsFound; i++)
    {
        PIO_GetConfigAddressSpace(i, &wCardAddress, &wIrqNo, &wSubVendor,
        &wSubDevice, &wSubAux, &wSlotBus, &wSlotDevice);

        printf("\nCard#%d:
wBase=%x,wIrq=%x,subID=[%x,%x,%x],SlotID=[%x,%x]",
            i, wCardAddress, wIrqNo, wSubVendor, wSubDevice, wSubAux,
            wSlotBus, wSlotDevice);

        printf(" --> ");
        ShowPioPiso(wSubVendor, wSubDevice, wSubAux);
    }

    /**** Select the Card#0 to activate. ****/
    wRtn = SelectBoard(0);
}
```

```

while (1)
{
    printf("\nPlease select a function...\n");
    printf("1: Select a board to activate.\n");
    printf("2: Display the Card-ID.\n");
    printf("3: DI/DO test.\n");
    printf("Q: Exit the program.\n");
    c=getch();
    switch (c)
    {
        case '1': /****** Select Board *****/
            printf("Please select a board (0~%d) to active: ", wTotalBoardsFound -1);
            c = getch();
            if ( c >= '0' && c <= '9' )
                SelectBoard( c - '0' );
            else
                SelectBoard( 100 );
            c = ' ';
            break;

        case '2': /****** Get Card ID *****/
            printf("Card-ID is %d\n", (int) ( ~(inpb(wCardAddress +7) >> 2) & 0x0F) );
            break;

        case '3': /****** DI/DO test *****/
            TestDIO(wCardAddress);
            break;

        case 'q': case 'Q':
            break;

        default:
            printf("Invalid function item %c\n", c);
            break;
    }
    if ( c == 'q' || c == 'Q' )
        break;
}

PIO_DriverClose();
return 0;
}

int SelectBoard(WORD wBoardNo)
{
    WORD wSubVendor,wSubDevice,wSubAux,wSlotBus,wSlotDevice;
    WORD wIrqNo;

    if ( wBoardNo >= wTotalBoardsFound )
    {
        printf("\nInvalid board number!\n");
        return ExceedBoardNumber;
    }
}

```

```

/***** Get Card Infomation (I/O Address) *****/
PIO_GetConfigAddressSpace(wBoardNo, &wCardAddress, &wIrqNo,
    &wSubVendor, &wSubDevice, &wSubAux, &wSlotBus, &wSlotDevice);

printf("\nCurrent selected board is Card#%d at address 0x%04X\n",
    wBoardNo, wCardAddress );

if ( wCardAddress == 0 )
    return 100;

/***** Enable all DI/DO *****/
outpb(wCardAddress, 1);
return 0;
}

int DIO1(WORD wCardAddress, WORD wValue)
{
    WORD wDI, Lo, Hi;

/***** Digital Output with wValue *****/
    Lo = wValue & 0xFF;
    Hi = (wValue >> 8) & 0xFF;
    outpb( wCardAddress + 0xC0, Lo ); /* low-byte is at 0xC0 */
    outpb( wCardAddress + 0xC4, Hi ); /* High-byte is at 0xC4 */

/***** delay a while until DO is ready *****/
    delay(100);

/***** Digital Input *****/
    Lo = inpb( wCardAddress + 0xC0 ); /* Low-byte is at 0xC0 */
    Hi = inpb( wCardAddress + 0xC4 ); /* High-byte is at 0xC4 */
    wDI = (Hi << 8) | Lo;

    delay(300);
    iCounts++;

/***** Compare the DO and DI values *****/
    printf("DO=0x%04X, DI=0x%04X, ", wValue, wDI);
    if ( wDI != wValue )
    {
        printf("FAILED! (%04X)\n", wDI ^ wValue);
        iErrors++;
        return 1;
    }

    printf("OK! \n");
    return 0;
}

```

```

DWORD TestDIO(WORD wCardAddress)
{
    int i = 0;

    iCounts = iErrors = 0;
    //while ( !kbhit() )
    while ( i < 100 )
    {
        DIO1(wCardAddress, 0x0000);
        if (kbhit()) break;
        DIO1(wCardAddress, 0xFFFF);
        if (kbhit()) break;

        DIO1(wCardAddress, 0x0000);
        if (kbhit()) break;
        DIO1(wCardAddress, 0xAAAA);
        if (kbhit()) break;

        DIO1(wCardAddress, 0x0000);
        if (kbhit()) break;
        DIO1(wCardAddress, 0x5555);
        if (kbhit()) break;

        i += 3;
        //printf("TotalCounts=%ld, ErrorCounts=%ld\n\n", iCounts, iErrors);
    }

    DIO1(wCardAddress, 0x0000);
    printf("TotalCounts=%ld, ErrorCounts=%ld\n", iCounts, iErrors);

    return iErrors;
}

```

5.5 Demo Program for DOS

The related DOS software and demos are located on the CD as below:

CD:\NAPDOS\PCI\PISO-DIO\dos\P16R16u\

<http://ftp.icpdas.com/pub/cd/iocard/pci/napdos/pci/piso-dio/dos/p16r16u/>

After installing the software, the following drivers will be installed onto your hard disk:

<ul style="list-style-type: none">• \TC*.*• \MSC*.*• \BC*.*	<ul style="list-style-type: none">→ for Turbo C 2.xx or above→ for MSC 5.xx or above→ for BC 3.xx or above
<ul style="list-style-type: none">• \TC\LIB*.*• \TC\DEMO*.*• \TC\DIAG*.*	<ul style="list-style-type: none">→ for TC library→ for TC demo program→ for TC diagnostic program
<ul style="list-style-type: none">• \TC\LIB\Large*.*• \TC\LIB\Huge*.*• \TC\LIB\Large\PIO.H• \TC\LIB\Large\TCPIO_L.LIB• \TC\LIB\Huge\PIO.H• \TC\LIB\Huge\TCPIO_H.LIB	<ul style="list-style-type: none">→ TC large model library→ TC huge model library→ TC declaration file→ TC large model library file→ TC declaration file→ TC huge model library file
<ul style="list-style-type: none">• \MSC\LIB\Large\PIO.H• \MSC\LIB\Large\MSCPIO_L.LIB• \MSC\LIB\Huge\PIO.H• \MSC\LIB\Huge\MSCPIO_H.LIB	<ul style="list-style-type: none">→ MSC declaration file→ MSC large model library file→ MSC declaration file→ MSC huge model library file
<ul style="list-style-type: none">• \BC\LIB\Large\PIO.H• \BC\LIB\Large\BCPIO_L.LIB• \BC\LIB\Huge\PIO.H• \BC\LIB\Huge\BCPIO_H.LIB	<ul style="list-style-type: none">→ BC declaration file→ BC large model library file→ BC declaration file→ BC huge model library file

NOTE: The library is available for all PIO/PISO series cards.

6. Windows SDK



Please read the release notes first to determine the location of the Windows SDK (DLL and OCX) on the enclosed ICP DAS CD, then run the setup program, found in the Windows SDK folder to install the DLL driver and OCX controls onto your computer. The setup program will guide you through the installation procedures step-by-step.



Note: It is recommended to install the software first, and then plug the card into the computer. This reduces the Windows Plug & Play procedures.

All source code for the VB/VC/Delphi and BCB sample programs are provided in enclosed CD or on the web site for free download.

6.1 PIO_PISO.EXE Program

The PIO_PISO.exe utility is located on the CD as below and is useful for all PIO/PISO series cards.

CD:\NAPDOS\PCI\Utility\Win32\PIO_PISO\

http://ftp.icpdas.com/pub/cd/iocard/pci/napdos/pci/utility/win32/pio_piso/

PIO_PISO.exe diagnostic program can be used to identify all PIO/PISO series cards currently installed in the PC, and can be useful for checking whether the cards are correctly installed in the PCI/PCI Express slot.

The following information is also displayed:

1. The model number of all cards found.
2. The I/O address and IRQ number of each card.
3. The bus and slot number of each card.



Note: The corresponding Windows driver for the card must be installed first.

PIO/PISO series card [Ver 2.40, Jan.05, 2006]

Please select one of the following cards to show the detail information.

No.	S Address	BoardName
0x00	0xE800	PIO-D24/56 v6
0x01	0xEC00	PIO-P16R16U

Detail Information

Board Name: PIO-P16R16U

OS: Windows 98

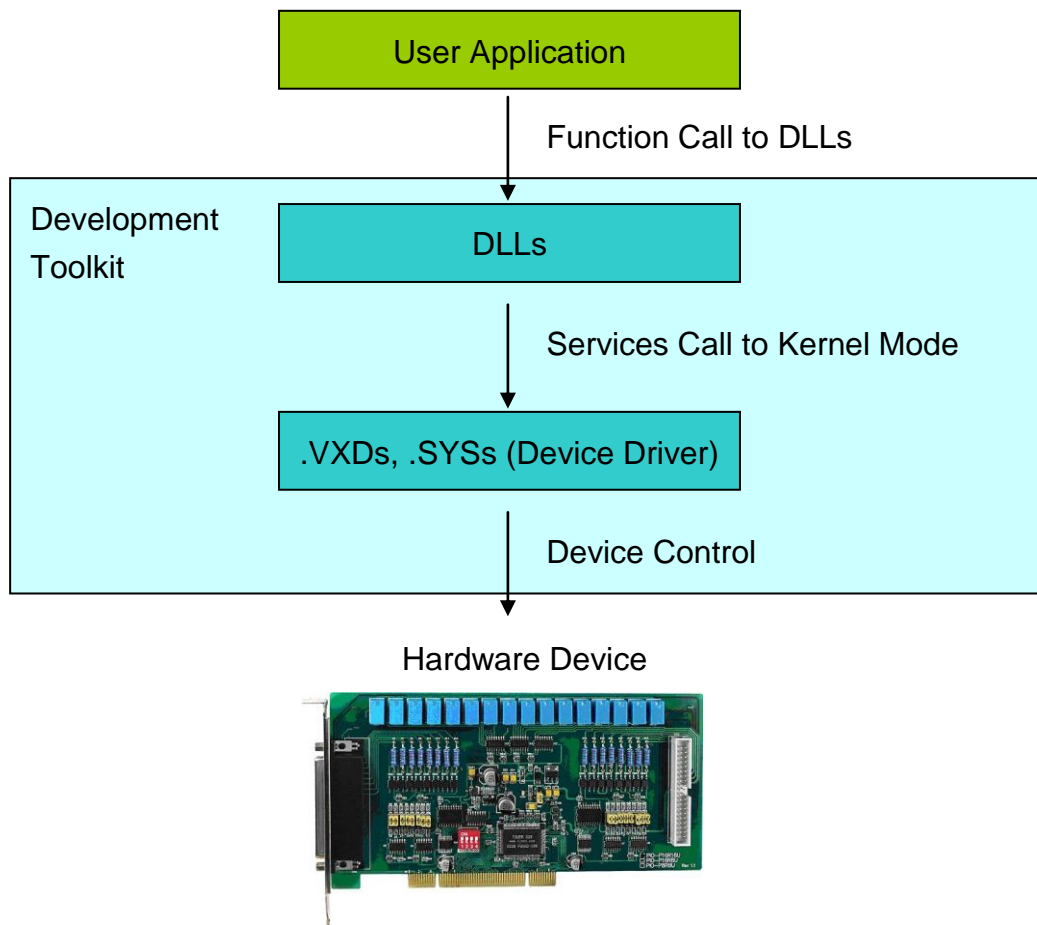
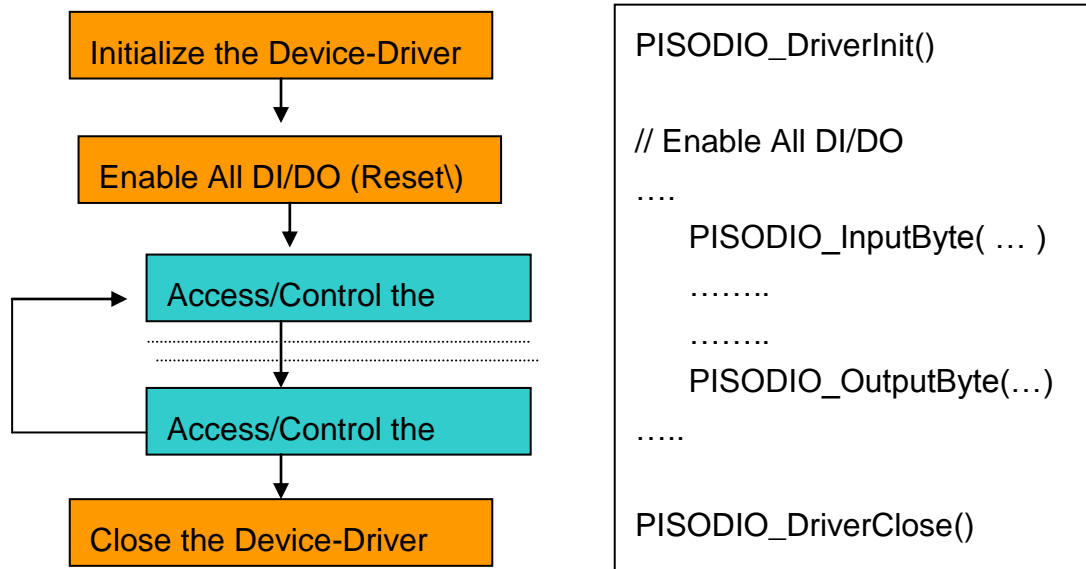
Vendor/Device ID		Sub ID	
Vendor ID:	0xE159	Sub Vendor:	0x1800
Device ID:	0x0001	Sub Device:	0x0000
		Sub Aux:	N/A

Location and Resource

Bus#:	0x00	Card Address:	0xEC00
Device#:	0x0F	IRQ#:	11

Exit

6.2 Program Architecture



6.3 Error Codes

There are several error codes that may be returned when using the function calls listed below. A description of each error code is as follows:

Code	Description
0	No error found.
1	Failed to open the driver. To resolve this error, either A. Restart the computer and try again. B. Try using a different PCI slot. C. Ensure that the 3.3 V/5 V jumper setting is correct. D. Download the latest driver from our web/ftp site and try again.
2	Driver is not yet opened. The PISODIO_DriverInit() function must be called before calling any other DLL functions.
9	The specified board was not found. Please refer to the description for error code 1.
10	The specified board number is incorrect. The board number must be between 0 and Total Boards -1.

6.4 DLL Functions

All DLL functions and descriptions are listed in the following sections. In this chapter, keywords are used to indicate the attributes of each parameter.

Keyword	Description
[Input]	The parameter must be initialized, or have a value set before calling this function.
[Output]	The parameter will return a value or other data after this function is call.



Note: All parameter spaces/buffers must be allocated and then freed by the user application programs.

6.4.1. PISODIO_DriverInit

This function opens the PISO-DIO driver and allocates the resources for the device. It must only be called once and must be called before calling any other PISO-DIO functions.

■ **Syntax:**

```
WORD PISODIO_DriverInit();
```

■ **Parameters:**

None

■ **Return:**

Refer to the error codes in [Section 6.3](#) for more information.

6.4.2. PISODIO_DriverClose

This function closes the PISO-DIO driver and releases all resources that were allocated by the driver. It must only be called once and must be called before exiting the user application program.

■ **Syntax:**

```
void PISODIO_DriverClose();
```

■ **Parameters:**

None

■ **Return:**

None

6.4.3. PISODIO_GetConfigAddressSpace

This function retrieves the I/O address and information related to the PISO-DIO card from the driver.

■ **Syntax:**

```
WORD PISODIO_GetConfigAddressSpace  
    ( WORD wBoardNo, DWORD *wBase, WORD *wIrqNo,  
      WORD *wSubVendor, WORD *wSubDevice, WORD *wSubAux,  
      WORD *wSlotBus, WORD *wSlotDevice);
```

■ **Parameters:**

wBoardNo	[Input]	The PISO-DIO board number (starting from 0).
wBase	[Output]	The 32-bit base (I/O) address of the card, where the leading 16 bits are all 0.
wIrqNo	[Output]	The IRQ number that the PISO-DIO board using.
wSubVendor	[Output]	The Sub-Vendor ID.
wSubDevice	[Output]	The Sub-Device ID.
wSubAux	[Output]	The Sub-Aux ID.
wSlotBus	[Output]	The Bus number of the slot.
wSlotDevice	[Output]	The Device number of the slot.

■ **Return:**

Refer to the error codes in [Section 6.3](#) for more information.

6.4.4. PISODIO_GetDriverVersion

This function reads the version number of the PISO-DIO kernel driver.

- **Syntax:**

```
WORD PISODIO_GetDriverVersion(WORD *wDriverVersion);
```

- **Parameters:**

wDriverVersion	[Output]	Version number.
----------------	----------	-----------------

- **Return:**

Refer to the error codes in [Section 6.3](#) for more information.

6.4.5. PISODIO_GetDllVersion

This function gets the version number of the PISO-DIO DLL driver.

- **Syntax:**

```
WORD PISODIO_GetDllVersion(void)
```

- **Parameters:**

None

- **Return:**

Version number, i.e. 200(hex) for version 2.00.

6.4.6. PISODIO_OutputByte

This is function sends 8-bit data to the assigned I/O port.

■ **Syntax:**

```
void PISODIO_OutputByte(DWORD wPortAddr, WORD bOutputVal);
```

■ **Parameters:**

wPortAddr	[Input]	The 32-bit I/O address, where the leading 16 bits are all 0. Refer to the PISODIO_GetConfigAddressSpace function.
bOutputVal	[Input]	The 16-bit data sent to the I/O port, where the leading 8 bits are all 0.

■ **Return:**

None

6.4.7. PISODIO_InputByte

This function reads 8-bit data from the assigned I/O port.

● **Syntax:**

```
WORD PISODIO_InputByte(DWORD wPortAddr);
```

● **Parameter:**

wPortAddr	[Input]	The 32-bit I/O address, where the leading 16 bits are all 0. Refer to the PISODIO_GetConfigAddressSpace()function.
-----------	---------	--------------------------------------------------------------------------------------------------------------------

● **Return:**

Returns 16-bit data, where the leading 8 bits are all 0.

6.5 Demo Programs for Windows

Please note that none of the demo programs will work normally if the DLL driver has not been installed correctly. During the DLL driver installation process, the install shield will register the correct kernel driver to the operating system and copy the DLL driver and demo programs to the correct location depending on the driver software package you have selected (Win98/Me/NT/2000 and 32-bit Win XP/2003/Visa/7). After installing the driver, the related demo programs, development library and declaration header files for the different development environments will be available in the following folders.

The demo program is contained in:

CD:\NAPDOS\PCI\PISO-DIO\DLL_OCX\Demo\

http://ftp.icpdas.com/pub/cd/iocard/pci/napdos/pci/piso-dio/dll_ocx/demo/

■ BCB 4 → For Borland C++ Builder 4
PISODIO.H → Header files
PISODIO.LIB → Linkage library for BCB

■ Delphi4 → For Delphi 4
PISODIO.PAS → Declaration files

■ VB6 → For Visual Basic 6
PISODIO.BAS → Declaration files

■ VC6 → For Visual C++ 6
PISODIO.H → Header files
PISODIO.LIB → Linkage library for VC6

■ VB.NET2005 → For VB.NET2005
PISODIO.vb → Declaration files

■ CSharp2005 → For C#.NET2005
PISODIO.cs → Declaration files

A list of available demo programs is as follows:

■ DIO: D/I/O demo

7. Appendix

7.1 Reporting Problems

Technical support is available at no charge. The best way to report a problem is to send E-mail to: Service@icpdas.com, service.icpdas@gmail.com

When reporting a problem, please include the following information:

- 1) Is the problem reproducible? If so, how?
- 2) The type and version of the Operating System that you running. For example, DOS, Windows 95/98/ME, Windows NT 4.0 or Windows 2K/XP/2003/Vista 32 etc.
- 3) The type of product that you using. Please check the product user manual for details.
- 4) If a dialog box with an error message was displayed, please include the full text of the dialog box, including the text in the title bar.
- 5) If the problem involves other applications or hardware devices, include details of the devices and software application, including the version number of the application/hardware that is failing.
- 6) Any other comments or suggestions related to this problem are welcome.

After receiving your comments, it will take approximately two business days to test the problem(s) described. A reply will be sent to you as soon as possible. If you have not received a response to your request within three days, please contact ICPDAS to ensure your message has been received.

Web Site: <http://www.icpdas.com>