



Features

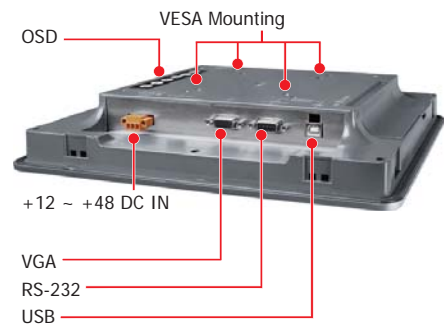
- 8.4" LCD supports 800 x 600 resolution
- Resistive Touch Panel
- Full-function OSD control
- Driver Support: Windows 2k/XP/Vista/7/WES WinCE 5.0/6.0/Linux
- LED backlight technology
- IP65 Compliant Front Panel
- Wide operating temperature: -20 ~ +70°C



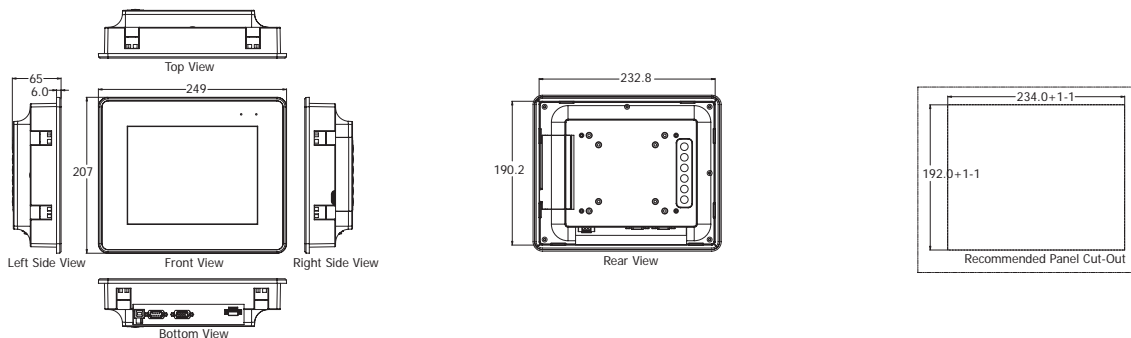
Specifications

Models	TP-3080
Display	
Size	8.4"
Resolution	800 x 600
Max. Color	16.7 M
Luminance	400 cd/m2
Touch screen	5-wire, analog resistive Light; Transmission: 80%
Contrast Ratio	500 : 1
Viewing Angle (H/V)	140/130
Backlight Life (hrs)	50,000
Touchscreen function	Combo RS-232 & USB interface
Input Signal	VGA (Analog RGB)
MMI (Man Machine Interface)	
OSD Control	Functions: Brightness, Contrast, Phase, Horizontal Position, Power, Auto Adjust, Vertical Position and Sharpness
LED Indicators	Power, Display signal is detected
Power	
Input Range	+12 ~ +48 VDC
Power Consumption	7 W
Mechanical	
Material	Plastic
Dimensions (W x L x H)	249 mm x 207 mm x 65 mm
Installation	Panel Mounting, VESA (75 mm x 75 mm); 100 mm x 100 mm) Mounting
Ingress Protection	Front panel: IP65
Environmental	
Operating Temperature	-20 ~ +70°C
Storage Temperature	-30 ~ +80°C
Ambient Relative Humidity	10 ~ 90% RH (non-condensing)

Appearance



Dimensions (Units: mm)



Ordering Information

TP-3080	8.4" (800 x 600) resistive touch panel monitor with RS-232 or USB interface Accessories: Power supply, VGA cable, RS-232 cable, USB cable, Mounting clamps and screws	TP-3080/NP	TP-3080 without Power supply
----------------	--	-------------------	------------------------------