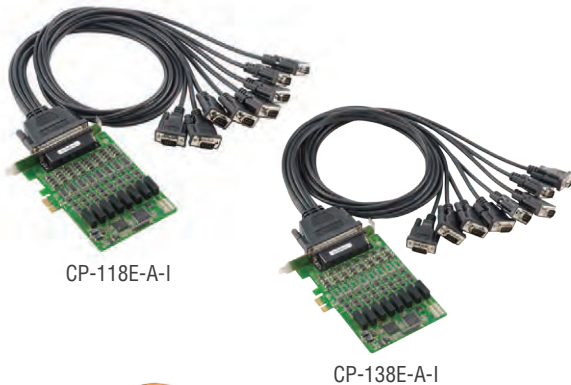


CP-118E-A-I/138E-A-I

8-port 3-in-1, RS-422/485 PCI Express board with 4 kV surge protection and 2 kV electrical isolation



CP-118E-A-I

CP-138E-A-I



- > PCI Express x1 compliant
- > Serial communication speed up to 921.6 Kbps
- > 128-byte FIFO and on-chip S/W flow control
- > Variety of connection cables and boxes available for RS-232/422/485
- > Drivers provided for the latest versions of Windows, Linux, and Unix
- > Easy maintenance with on-board LED display and management software
- > 15 kV ESD, 4 kV surge, and 2 kV electrical isolation onboard



Overview

The CP-118E-A-I and CP-138E-A-I are smart PCI Express multiport serial boards designed for POS and ATM applications, and for use by industrial automation system manufacturers and system integrators. The CP-118E-A-I and CP-138E-A-I are compatible with all popular operating systems, and each of their 8 serial ports supports data rates

of up to 921.6 kbps, and provide full modem control signals, ensuring compatibility with a wide range of serial peripherals. In addition, the CP-118E-A-I and CP-138E-A-I work with PCI Express x1, allowing the boards to be installed in any PCI Express slot.

Specifications

Hardware

Comm. Controller: 16C550C compatible

Bus: PCI Express x1

Connector: DB 78 Female

Serial Interface

Number of Ports: 8

Serial Standards:

CP-118E-A-I: RS-232/422/485

CP-138E-A-I: RS-422/485

Max. No. of Boards per PC: 4

Serial Line Protection

ESD Protection: 15 KV on the board

Surge Protection: 4 kV

Electrical Isolation: 2 kV

Performance

Baudrate: 50 bps to 921.6 Kbps

Serial Communication Parameters

Data Bits: 5, 6, 7, 8

Stop Bits: 1, 1.5, 2

Parity: None, Even, Odd, Space, Mark

Flow Control: RTS/CTS, XON/XOFF

Serial Signals

RS-232: TxD, RxD, RTS, CTS, DTR, DSR, DCD, GND

RS-422: TxD+(B), TxD-(A), RxD+(B), RxD-(A), GND

RS-485-4w: TxD+(B), TxD-(A), RxD+(B), RxD-(A), GND

RS-485-2w: Data+(B), Data-(A), GND

Operating Systems

Windows Real COM Drivers: Windows 2000/XP/2003/

Vista/2008/7/8/8.1 (x86/x64), Windows 2008 R2/2012/2012 R2 (x64)

Fixed TTY Drivers: QNX 6, SCO OpenServer, UnixWare 7, Solaris 10

(x86/x64)

Linux Real TTY Drivers: Linux 2.4.x, 2.6.x, 3.x

Note: Please refer to Moxa's website for the latest driver support information.

Physical Characteristics

Dimensions: 109.5 x 130 mm (4.31 x 5.11 in)

Environmental Limits

Operating Temperature: 0 to 55°C (32 to 131°F)

Storage Temperature: -20 to 85°C (-4 to 185°F)

Ambient Relative Humidity: 5 to 95% (non-condensing)

Altitude: Up to 2000 m

Note: Please contact Moxa if you require products guaranteed to function properly at higher altitudes.

Standards and Certifications

EMC: CE, FCC

EMI: EN 55022, EN 61000-3-2, EN 61000-3-3, FCC Part 15 Subpart B Class B

EMS: EN 55024, IEC 61000-4-2, IEC 61000-4-3, IEC 61000-4-4, IEC 61000-4-5, IEC 61000-4-6, IEC 61000-4-8, IEC 61000-4-11 (DIPS)

Green Product: RoHS, CRoHS, WEEE

MTBF (mean time between failures)

Time: CP-118E-A-I: 152,124 hrs

CP-138E-A-I: 221,331 hrs

Database: Telcordia (Bellcore), GB

Power Requirements

Power Consumption:

CP-118E-A-I: 2,356 mA @ 3.3 V

CP-138E-A-I: 2,356 mA @ 3.3 V

Warranty

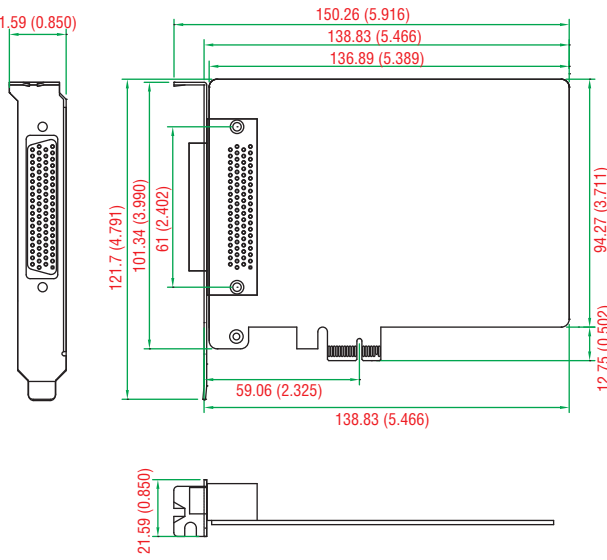
Warranty Period: 5 years

Details: See www.moxa.com/warranty

Dimensions

Unit: mm (inch)

CP-118E-A-I/CP-138E-A-I 21.59 (0.850)



Ordering Information

Available Models

CP-118E-A-I: 8-port RS-232/422/485 PCI Express x1 serial board w/ surge protection and electrical isolation

CP-138E-A-I: 8-port RS-422/485 PCI Express Smart x1 serial board w/ surge protection and electrical isolation

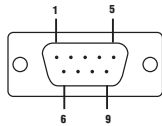
Package Checklist

- 1 CP-118E-A-I or CP-138E-A-I board
- Documentation and software CD
- Quick installation guide (printed)
- Warranty card

CBL-M78M9x8-100



DB9 male



CBL-M78M25x8-100



DB25 male

