

CP-134EL-A-I

4-port RS-422/485 PCI Express board with 4 kV surge and 2 kV electrical isolation



PCComm Lite

- > PCI Express x1 compliant
- > Serial communication speed up to 921.6 Kbps
- > 128-byte FIFO and on-chip S/W flow control
- > Variety of connection cables and boxes available for RS-232/422/485
- > Drivers provided for the latest versions of Windows, Linux, and Unix
- > Easy maintenance with on-board LED display and management software
- > 15 kV ESD, 4 kV surge, and 2 kV electrical isolation onboard



12

Multiport Serial Boards > CP-134EL-A-I

Overview

The CP-134EL-A-I is a smart PCI Express multiport serial board designed for POS and ATM applications, and for use by industrial automation system manufacturers and system integrators. The CP-134EL-A-I is compatible with all popular operating systems, and each of its 8 serial ports supports data rates of up to 921.6 kbps, and

provides full modem control signals, ensuring compatibility with a wide range of serial peripherals. In addition, the CP-134EL-A-I works with PCI Express x1, allowing the board to be installed in any PCI Express slot.

Specifications

Hardware

Comm. Controller: 16C550C compatible

Bus: PCI Express x1

Connector: DB 44 Female

Serial Interface

Number of Ports: 4

Serial Standards: RS-422/485

Max. No. of Boards per PC: 4

Serial Line Protection

ESD Protection: 15 kV on the board

Surge Protection: 4 kV

Electrical Isolation: 2 kV

Performance

Baudrate: 50 bps to 921.6 Kbps

Serial Communication Parameters

Data Bits: 5, 6, 7, 8

Stop Bits: 1, 1.5, 2

Parity: None, Even, Odd, Space, Mark

Flow Control: RTS/CTS, XON/XOFF

Serial Signals

RS-422: TxD+(B), TxD-(A), RxD+(B), RxD-(A), GND

RS-485-4w: TxD+(B), TxD-(A), RxD+(B), RxD-(A), GND

RS-485-2w: Data+(B), Data-(A), GND

Operating Systems

Windows Real COM Drivers: Windows 2000/XP/2003/

Vista/2008/7/8/8.1 (x86/x64), Windows 2008 R2/2012/2012 R2 (x64)

Fixed TTY Drivers: QNX 6, SCO OpenServer, UnixWare 7, Solaris 10 (x86/x64)

Linux Real TTY Drivers: Linux 2.4.x, 2.6.x, 3.x

Note: Please refer to Moxa's website for the latest driver support information.

Physical Characteristics

Dimensions:

CP-132EL: 67.2 x 103 mm (2.69 x 4.06 in)

Environmental Limits

Operating Temperature: 0 to 55°C (32 to 131°F)

Storage Temperature: -20 to 85°C (-4 to 185°F)

Ambient Relative Humidity: 5 to 95% (non-condensing)

Altitude: Up to 2000 m

Note: Please contact Moxa if you require products guaranteed to function properly at higher altitudes.

Standards and Certifications

EMC: CE, FCC

EMI: EN 55022, EN 61000-3-2, EN 61000-3-3, FCC Part 15 Subpart B Class B

EMS: EN 55024, IEC 61000-4-2, IEC 61000-4-3, IEC 61000-4-4, IEC 61000-4-5, IEC 61000-4-6, IEC 61000-4-8, IEC 61000-4-11 (DIPS)

Green Product: RoHS, CRoHS, WEEE

MTBF (mean time between failures)

Time: 433,077 hrs

Database: Telcordia (Bellcore), GB

Power Requirements

Power Consumption:

3,414 mA @ 3.3 V

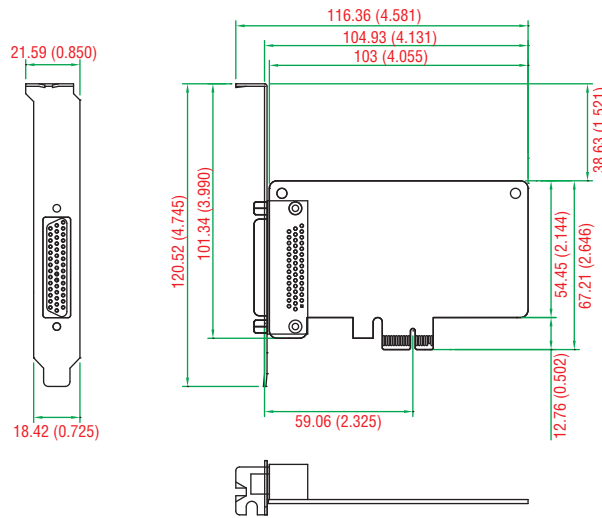
Warranty

Warranty Period: 5 years

Details: See www.moxa.com/warranty

Dimensions

Unit: mm (inch)



Ordering Information

Available Models

CP-134EL-A-I: 4-port RS-422/485 low profile PCI Express x1 serial board w/ surge protection and electrical isolation

CP-134EL-A-I-DB9M: 4-port RS-422/485 low profile PCI Express x1 serial board w/ surge protection and electrical isolation, includes DB9 male cable

CP-134EL-A-I-DB25M: 4-port RS-422/485 low profile PCI Express x1 serial board w/ surge protection and electrical isolation, includes DB25 male cable

Package Checklist

- 1 CP-134EL-A-I board
- Standard bracket and low profile bracket
- Some models include DB9 or DB25 cable
- Documentation and software CD
- Quick installation guide (printed)
- Warranty card

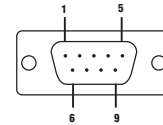
CBL-M44M9x4-50

DB44 male to DB9 male x 4 (50 cm cable)



PIN	RS-232	RS-422	RS-485-4w	RS-485-2w
1	DCD	TxD-(A)	TxD-(A)	-
2	RxD	TxD+(B)	TxD+(B)	-
3	TxD	RxD+(B)	RxD+(B)	Data+(B)
4	DTR	RxD-(A)	RxD-(A)	Data-(A)
5	GND	GND	GND	GND
6	DSR	-	-	-
7	RTS	-	-	-
8	CTS	-	-	-
9	-	-	-	-

DB9 male



CBL-M44M25x4-50

DB44 male to DB25 male x 4 (50 cm cable)



PIN	RS-232	RS-422	RS-485-4w	RS-485-2w
2	TxD	RxD+(B)	RxD+(B)	Data+(B)
3	RxD	TxD+(B)	TxD+(B)	-
4	RTS	-	-	-
5	CTS	-	-	-
6	DSR	-	-	-
7	GND	GND	GND	GND
8	DCD	TxD-(A)	TxD-(A)	-
20	DTR	RxD-(A)	RxD-(A)	Data-(A)
22	-	-	-	-

DB25 male

